

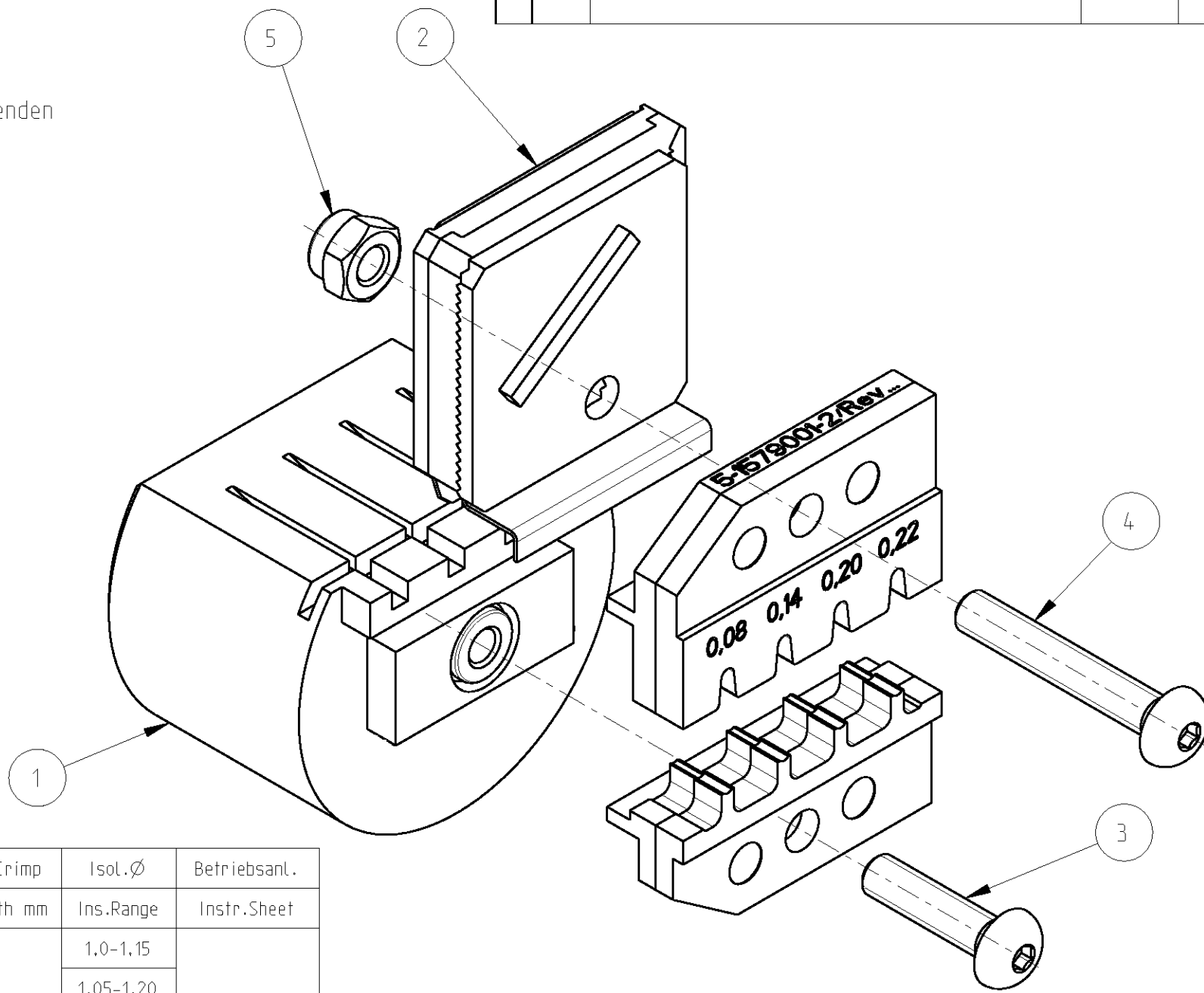
LOC	DIST	REVISIONS				
P	LTR	DESCRIPTION	DATE	DWN	APVD	
A1	-	A	INITIAL REVISION	22MAY2009	-	-

ERGOGRIMP DIE SET MQS

WIRE RANGE 0,08 - 0,22 SQ.mm

Matrize in Kombination mit Ergocrimp Basishandzange TE P/N 539635-1 verwenden
 Use die set in combination with Ergocrimp basis hand tool TE P/N 539635-1

Matrize im Karton mit Bedienungsanleitung 411-18295 verpackt
 Die set packed in a cardboard with instruction sheet 411-18295



5-1579001-2	1	6-0744010-7	Instruction Sheet	Bedienungsanleitung	6
	1	0-0519024-2	Nut M4 DIN 985	Mutter M4 DIN 985	5
	1	1-0519151-3	Screw M4x25	Schraube M4x25	4
	1	1-0519151-1	Screw M4x16	Schraube M4x16	3
	1	9-1579005-6	Locator Assembly	Drahtanschlag	2
	1	9-1579005-4	Contact Locator	Kontaktpositionierer	1
	QTY Stck	PN	Description	Benennung	Pos.

Kontakt	DGB (mm ²)	Drahtcrimp / Wire Crimp		Isolationscrimp / Insulation Crimp		Isol.Ø	Betriebsanl.
Contact	Wire Range	Hoehe/Height mm	Breite/Width mm	Hoehe/Height mm	Breite/Width mm	Ins.Range	Instr.Sheet
1355718 / 1355720	0,08	0.64 ±0.03	1.07 F	1.30 ±0.1	1.57 0	1.0-1.15	411-18295
	0,14	0.71 ±0.03		1.35 ±0.1		1.05-1.20	
	0,20	0.75 ±0.03		1.45 ±0.1		1.15-1.35	
	0,22	0.77 ±0.03		1.50 ±0.1			

<small>THIS DRAWING IS A CONTROLLED DOCUMENT FOR TYCO ELECTRONICS CORPORATION IT IS SUBJECT TO CHANGE AND THE CONTROLLING ENGINEERING ORGANIZATION SHOULD BE CONTACTED FOR THE LATEST REVISION.</small>		DWN 22MAY2009 P. Demmer CHK 22MAY2009 Ch. Witt APVD 22MAY2009 Ch. Witt PRODUCT SPEC - APPLICATION SPEC - WEIGHT 136.794		Tyco Electronics Tyco Electronics AMP GmbH 64625 Bensheim (Germany)	
DIMENSIONS: mm 		TOLERANCES UNLESS OTHERWISE SPECIFIED: 0 PLC ± 1 PLC ± 2 PLC ± 3 PLC ± 4 PLC ± ANGLES ±		NAME ERGOGRIMP - DIE SET MQS Ergocrimp - Matrize MQS	
MATERIAL - FINISH -		CUSTOMER DRAWING		SIZE A3 CAGE CODE 00779 DRAWING NO ©5-1579001-2 RESTRICTED TO -	
SCALE 2:1				SHEET 1 OF 1 REV A	