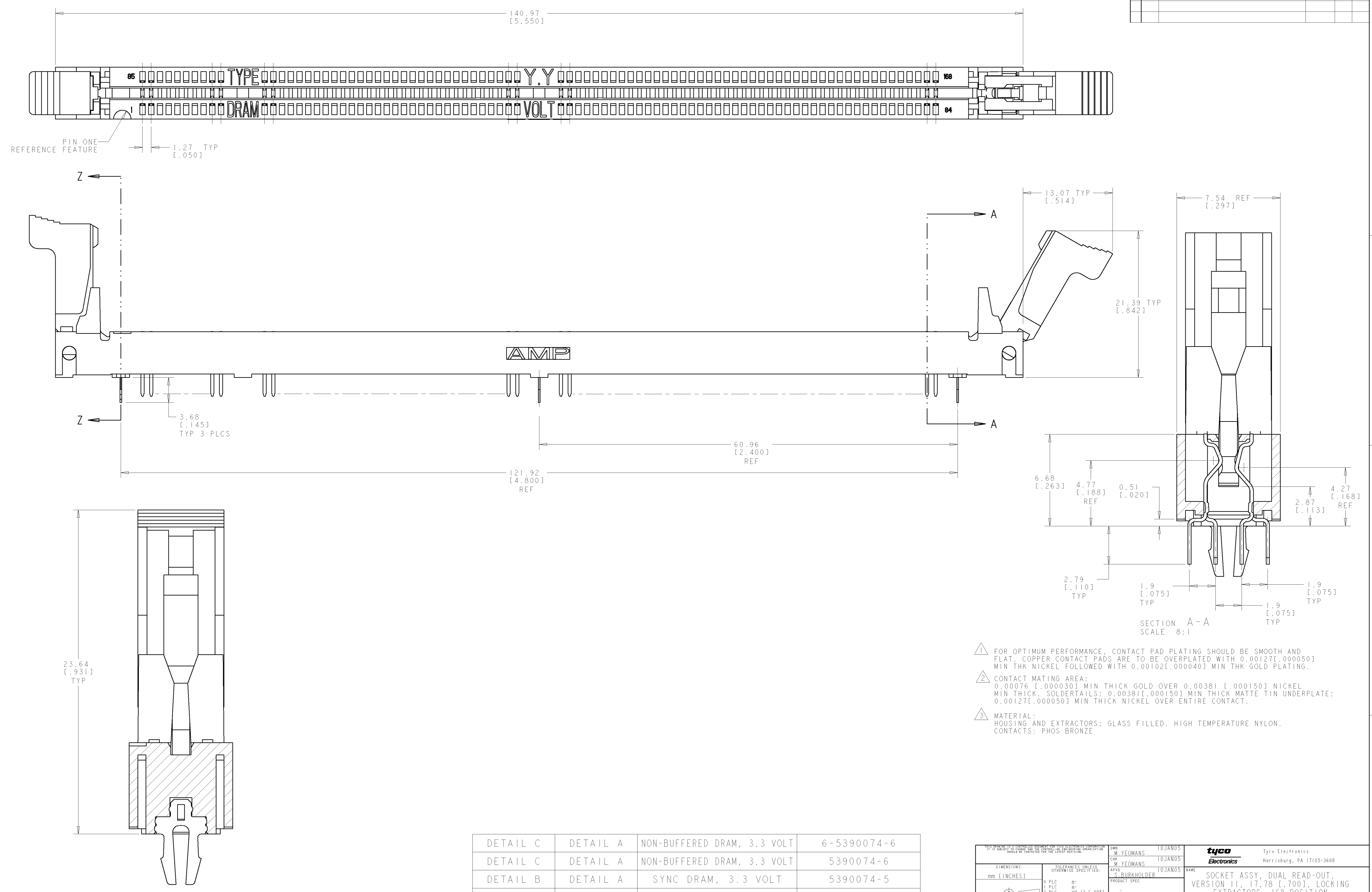


REVISONS		DATE	DWN	APVD
GP	0			
A		RELEASED PER EC 0512-0488-04	10JAN05	MY SB

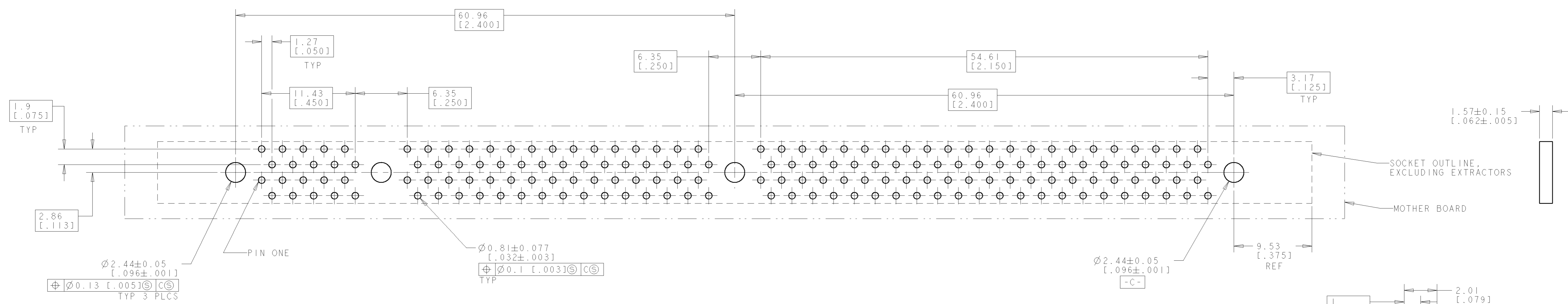


- 1. FOR OPTIMUM PERFORMANCE, CONTACT PAD PLATING SHOULD BE SMOOTH AND FLAT. COPPER CONTACT PADS ARE TO BE OVERPLATED WITH 0.0012 [.00050] MIN THK NICKEL FOLLOWED WITH 0.00102 [.00040] MIN THK GOLD PLATING.
- 2. CONTACT MATING AREA: 0.00076 [.00030] MIN THICK GOLD OVER 0.00381 [.000150] NICKEL MIN THICK. SOLDER TAILS: 0.00381 [.000150] MIN THICK MATTE TIN UNDERPLATE: 0.00127 [.00050] MIN THICK NICKEL OVER ENTIRE CONTACT.
- 3. MATERIAL: HOUSING AND EXTRACTORS: GLASS FILLED, HIGH TEMPERATURE NYLON. CONTACTS: PHOS BRONZE

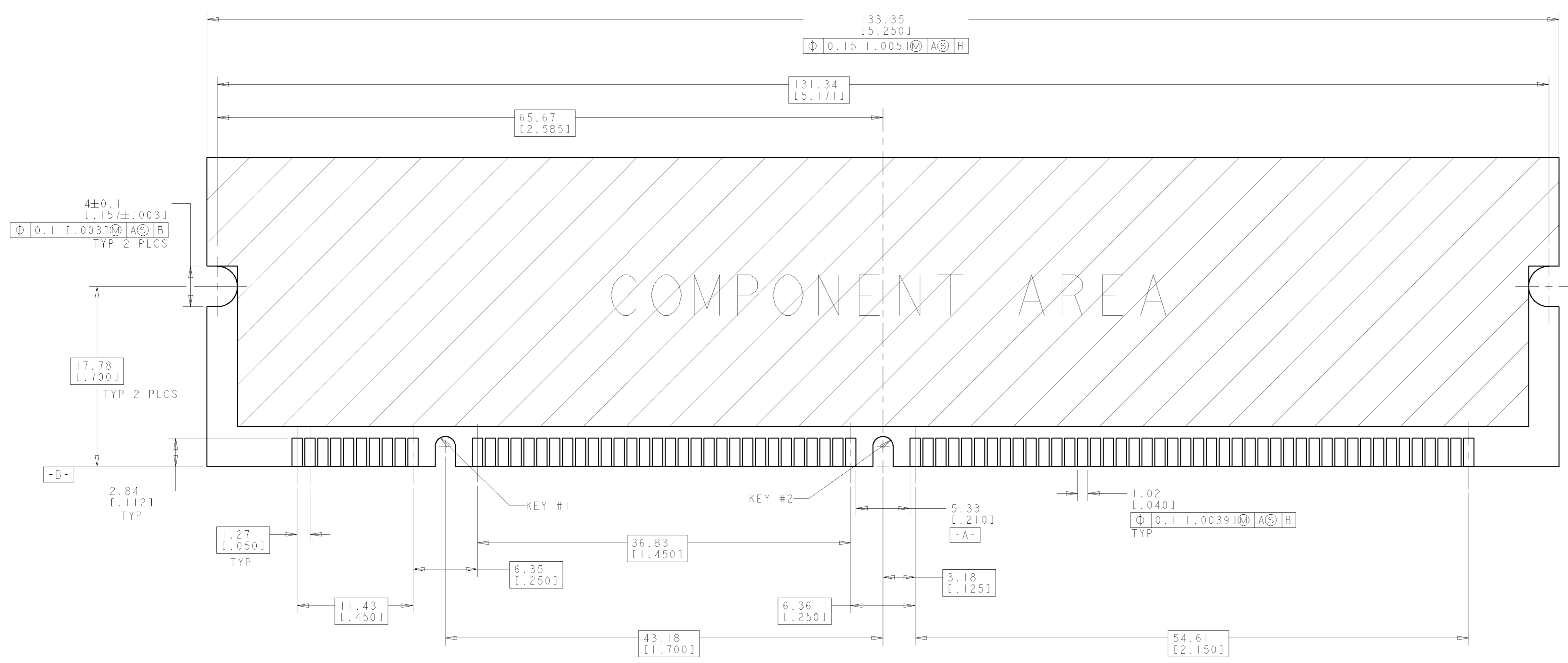
KEY #1	KEY #2	PART DESCRIPTION	PART NUMBER
DETAIL C	DETAIL A	NON-BUFFERED DRAM, 3.3 VOLT	6-5390074-6
DETAIL C	DETAIL A	NON-BUFFERED DRAM, 3.3 VOLT	5390074-6
DETAIL B	DETAIL A	SYNC DRAM, 3.3 VOLT	5390074-5
DETAIL A	DETAIL B	STD DRAM, 5 VOLT	5390074-1

DIMENSIONS: mm [INCHES] TOLERANCES UNLESS OTHERWISE SPECIFIED: 9 PLC ± 2 PLC ±0.13 [.005] 3 PLC ± 4 PLC ± ANGLES ±1°		DWN M. YEOMANS 10JAN05 CKD M. YEOMANS 10JAN05 APVD S. BURKHOLDER 10JAN05 PRODUCT SPEC APPLICATION SPEC WEIGHT CUSTOMER DRAWING	NAME: SOCKET ASSY, DUAL READ-OUT, VERSION II, 17.78 [.700], LOCKING EXTRACTORS, 168 POSITION SIZE: A CAGE CODE: 00779 DRAWING NO: 5390074 SCALE: 4:1 SHEET 1 OF 2 REV A
--	--	--	---

LOC	DIST	REV	DESCRIPTION	DATE	BY	APPD
GP	0		SEE SHEET 1			

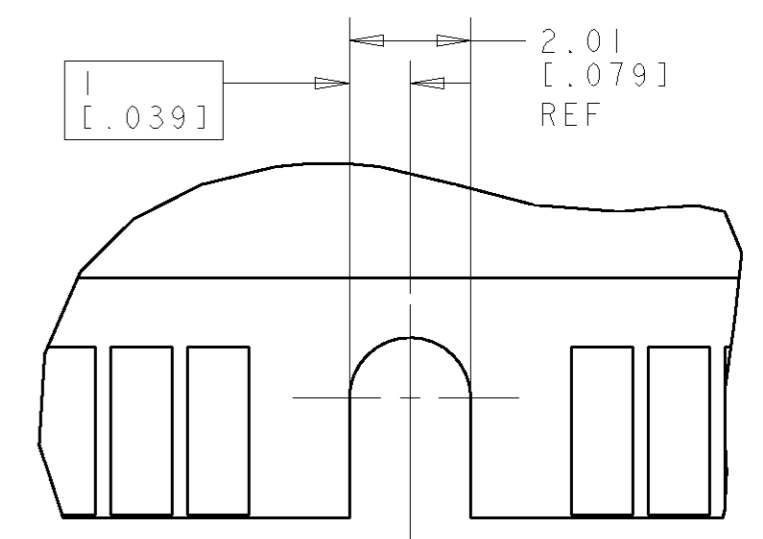


RECOMMENDED CIRCUIT BOARD HOLE LAYOUT

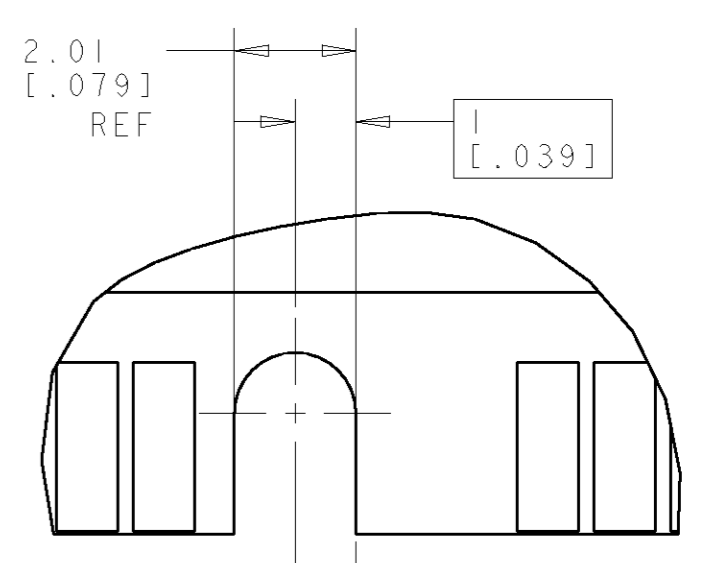


RECOMMENDED MODULE LAYOUT

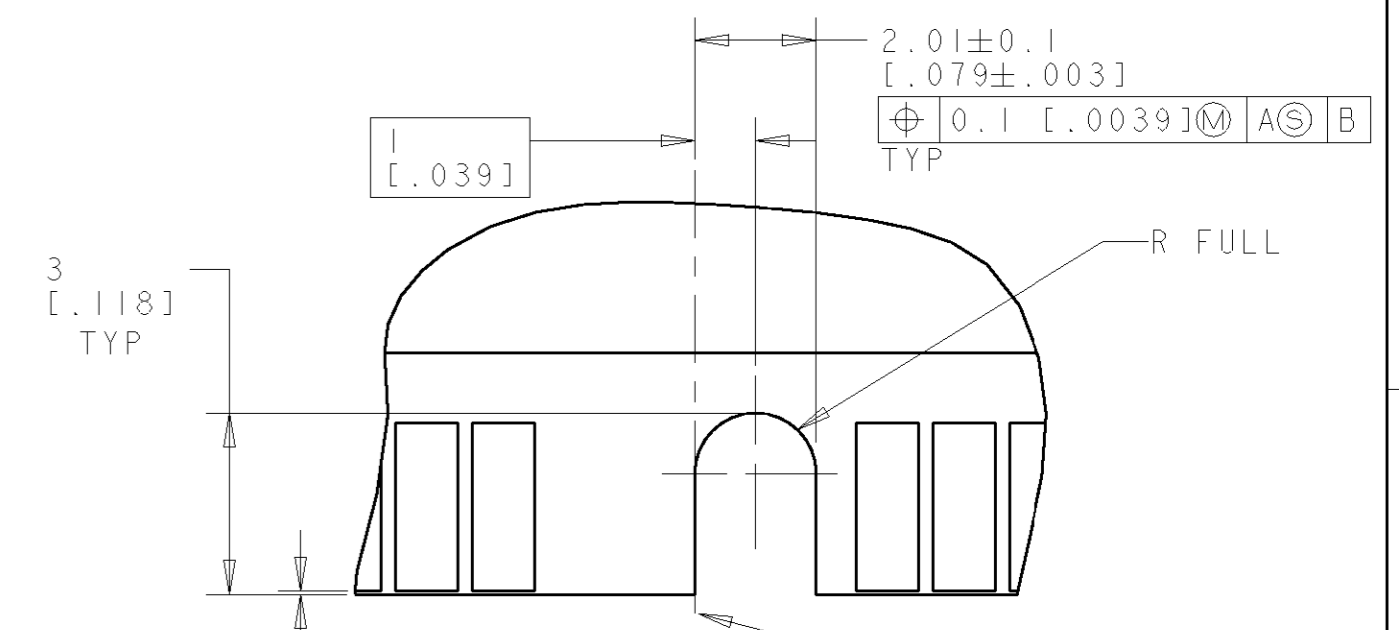
SEE JEDEC SPEC. MO-161 FOR COMPLETE MODULE DETAILS
 1.27±0.10 [0.050±.004] THICK ACROSS CONTACT PADS



DETAIL A
SCALE 8:1



DETAIL B
SCALE 8:1



DETAIL C
SCALE 8:1

DIMENSIONS: mm [INCHES]		TOLERANCES UNLESS OTHERWISE SPECIFIED: 0 PLC ± 1 PLC ± 2 PLC ±0.13 [0.005] 3 PLC ± 4 PLC ± ANGLES ±1°		DWN M. YEOMANS 10JAN05 CHK M. YEOMANS 10JAN05 APVD S. BURKHOLDER 10JAN05		tyco Tyco Electronics Harrisburg, PA 17105-3608	
MATERIAL:		FINISH:		PRODUCT SPEC:		NAME: SOCKET ASSY, DUAL READ-OUT, VERSION II, 17.78 [0.700], LOCKING EXTRACTORS, 168 POSITION	
WEIGHT:		APPLICATION SPEC:		SIZE: CAGE CODE DRAWING NO: A1 00779 C-5390074		RESTRICTED TO:	
CUSTOMER DRAWING				SCALE: 4:1		SHEET 2 OF 2 REV A	