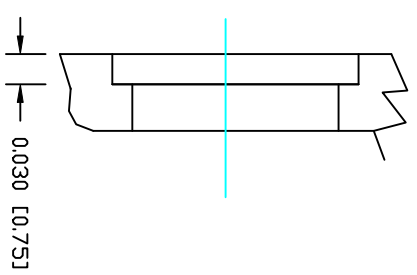
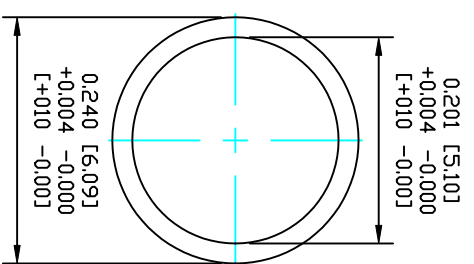
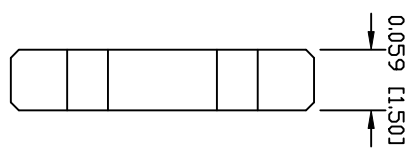


NUT



MAX. PANEL THICKNESS: 0.075"

RECOMMENDED  
PANEL CUTOUT

NOTE:

MATERIAL

- HOUSING: PBT UL94V-0, BLACK
- CONTACT: BRASS
- NUT: BRASS
- SHELL: BRASS
- D-RING: NBR, BLACK

FINISH

- CONTACT: GOLD PLATED
- NUT: OVER 50µ NICKEL
- SHELL: NICKEL PLATED
- D-RING: NICKEL PLATED

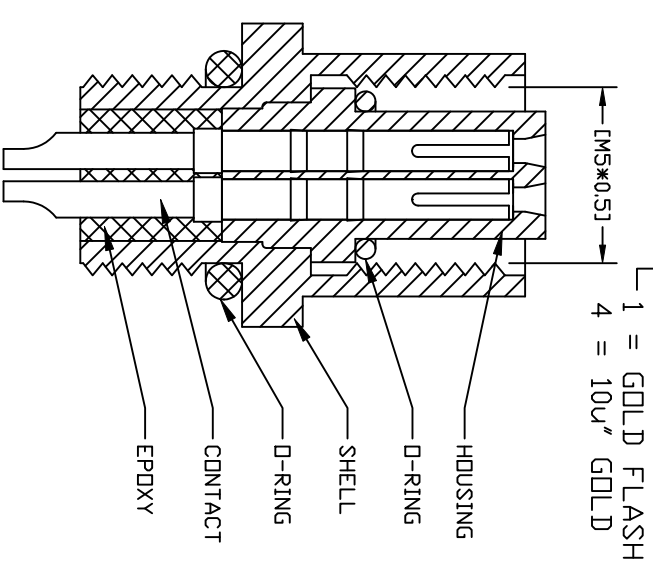
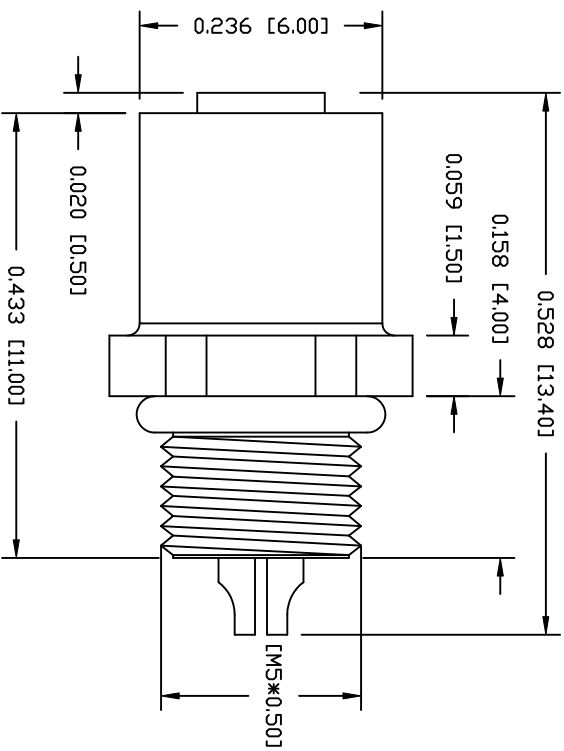
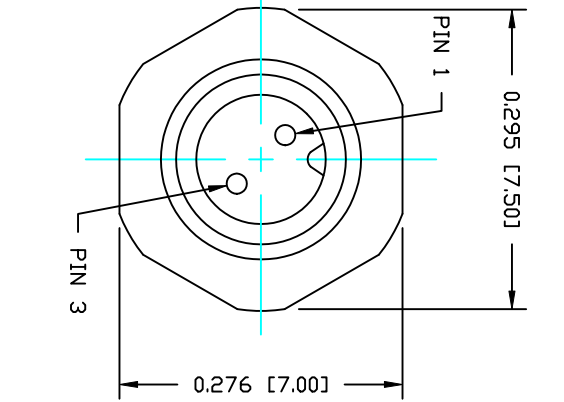
ELECTRICAL

- RATED CURRENT: 1A
- RATED VOLTAGE: 60V
- INSULATION RESISTANCE: 100 MΩms MIN.
- CONTACT RESISTANCE: 10 MΩms MAX.
- WATER PROOF: IP67

ENVIRONMENT

- OPERATION TEMPERATURE: -40°C TD +85°C
- WIRE GAUGE: 26-28 AWG
- MAX ASSEMBLY TORQUE = 1.5 in lbs

**851-002-203R00Y**



ROHS COMPLIANT

DO NOT SCALE FROM DRAWING



THESE DRAWINGS AND SPECIFICATIONS ARE THE PROPERTY OF NorComp AND SHALL NOT BE REPRODUCED, COPIED OR USED AS THE BASIS FOR THE MANUFACTURE OR SALE OF APPARATUS WITHOUT WRITTEN PERMISSION.

DRAWN:	M. SIGMON	DATE:	03-03-16
CHECKED:		DATE:	

NorComp

SCALE:	NTS	SHEET	1	OF	1	REV	2
DWG NO.							
							<b>851-002-203R00Y</b>