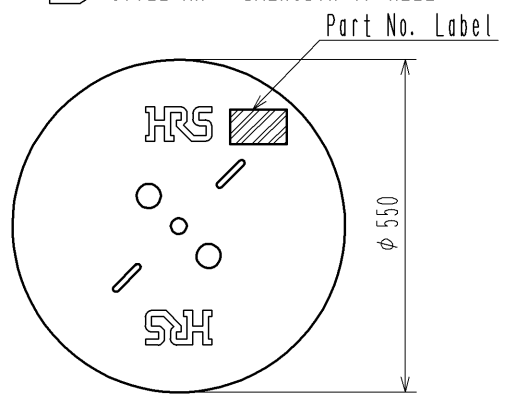
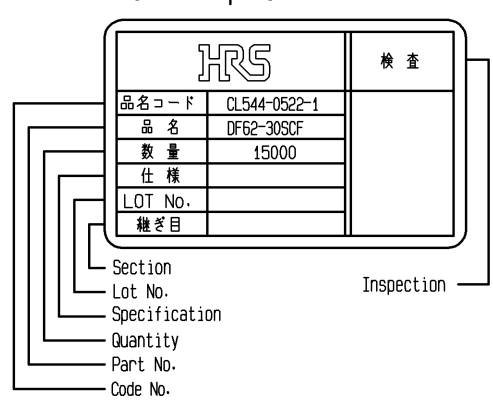


2 STYLE AND DIMENSION OF REEL



Detail of part No. Label



- NOTE 1. 1RL:15000 CONTACTS.  
 2. STYLE OF REEL AND BOX ARE SHOWN IN FIGURE.  
 3. A MAXIMUM OF 5 REELS ARE PACKED UP IN ONE BOX.  
 4. PLEASE BE SURE TO CHECK THE FORM OF CRIMPING USING A CABLE. WHEN YOU ADJUST APPLICATOR.  
 5. THE DIMENSIONS IN PARENTHESIS ARE FOR REFERENCE.

NO.	MATERIAL	FINISH . REMARKS	NO.	MATERIAL	FINISH . REMARKS
			1	PHOSPHOR BRONZE	TIN PLATING 1 μm MIN
UNITS mm		SCALE 10:1	DESCRIPTION OF REVISIONS		
APPROVED : KI. AKIYAMA		14.04.26	DESIGNED	CHECKED	
CHECKED : KI. AKIYAMA		14.04.26	DATE	DRAWING NO.	
DESIGNED : TS. KUMAZAWA		14.04.25	EDC3-344683-00		
DRAWN : TS. KUMAZAWA		14.04.25	PART NO.		
			DF62-30SCF		
			CODE NO.		
			CL544-0522-1-00		