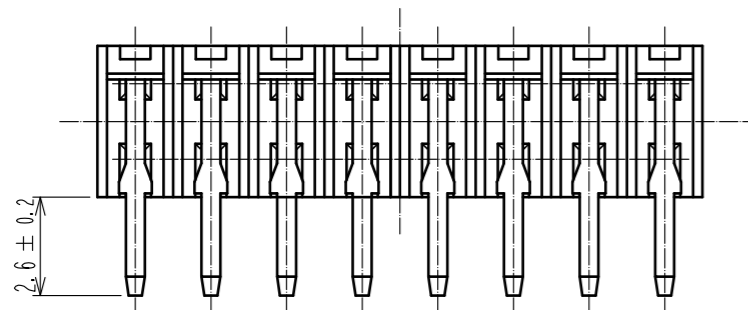
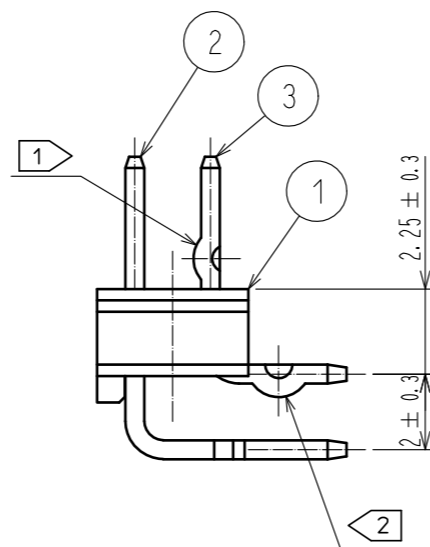
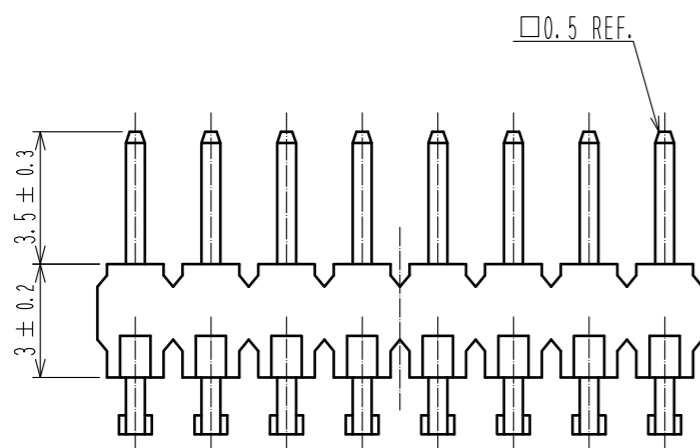
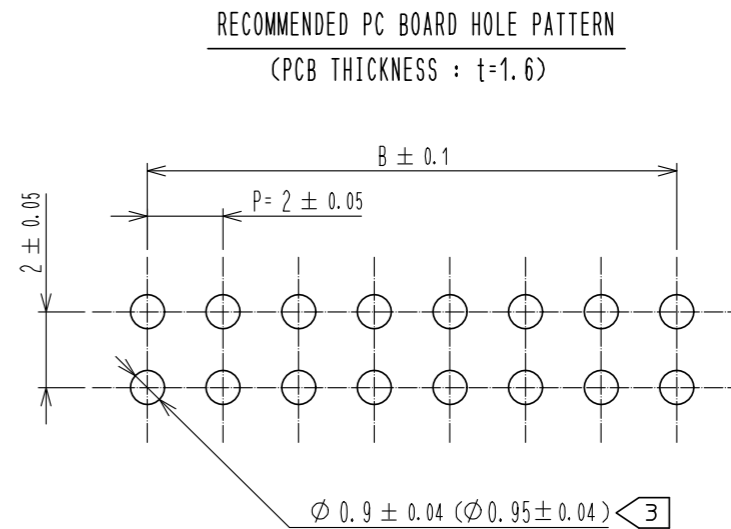
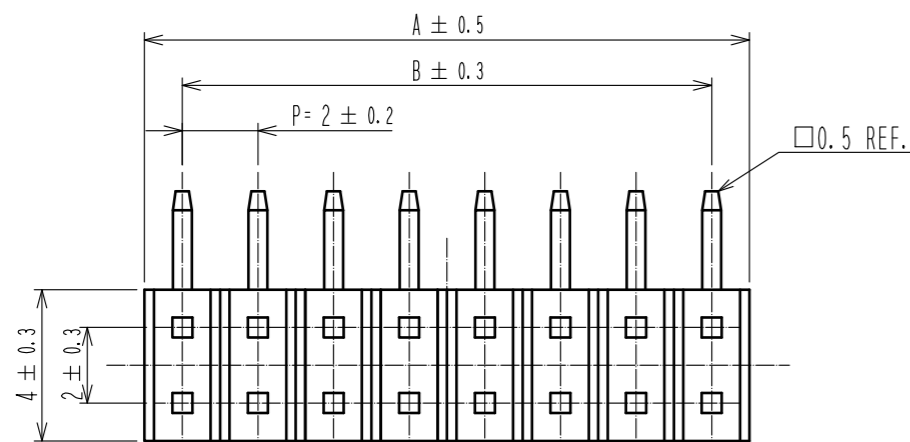


DRAWING FOR REFERENCE: This is subject to change without notice

APPLICABLE STANDARD				
RATING	OPERATING TEMPERATURE RANGE	-55 °C TO 85 °C ⁽¹⁾	STORAGE TEMPERATURE RANGE	-10 °C TO 60 °C ⁽²⁾
	VOLTAGE	200 V AC	OPERATING HUMIDITY RANGE	40 % TO 80 %.
	CURRENT	2 A	STORAGE HUMIDITY RANGE	40 % TO 70 % ⁽²⁾
SPECIFICATIONS				
ITEM	TEST METHOD	REQUIREMENTS	QT	AT
CONSTRUCTION				
GENERAL EXAMINATION	VISUALLY AND BY MEASURING INSTRUMENT.	ACCORDING TO DRAWING.	x	x
MARKING	CONFIRMED VISUALLY.		x	x
ELECTRIC CHARACTERISTICS				
CONTACT RESISTANCE	100 mA (DC OR 1000 Hz).	15 mΩ MAX.	x	—
INSULATION RESISTANCE	500 V DC	1000 MΩ MIN.	x	—
VOLTAGE PROOF	650 V AC FOR 1 min.	NO FLASHOVER OR BREAKDOWN.	x	—
MECHANICAL CHARACTERISTICS				
VIBRATION	FREQUENCY 10 TO 55 Hz, AMPLITUDE : 1.5 mm, AT 2 h FOR 3 DIRECTIONS.	①NO ELECTRICAL DISCONTINUITY OF 1 μs. ②NO DAMAGE, CRACK AND LOOSENESS OF PARTS.	x	—
SHOCK	490 m/s ² , DURATION OF PULSE 11 ms AT 3 TIMES FOR 3 DIRECTIONS.		x	—
ENVIRONMENTAL CHARACTERISTICS				
DAMP HEAT (STEADY STATE)	EXPOSED AT 40±2 °C, 90 ~ 95 %, 96 h.	①CONTACT RESISTANCE: 20 mΩ MAX. ②INSULATION RESISTANCE: 1000 MΩ MIN. ③NO DAMAGE, CRACK AND LOOSENESS OF PARTS.	x	—
RAPID CHANGE OF TEMPERATURE	TEMPERATURE -55→+15~+35→+85→+15~+35°C TIME 30 → 10~15 → 30 → 10~15 min. UNDER 5 CYCLES.		x	—
CORROSION SALT MIST	EXPOSED IN 5 % SALT WATER SPRAY FOR 48 h.	①CONTACT RESISTANCE: 20 mΩ MAX. ②NO HEAVY CORROSION.	x	—
SULPHUR DIOXIDE	EXPOSED IN 10 PPM FOR 96 h. (TEST STANDARD: JEIDA - 39)		x	—
RESISTANCE TO SOLDERING HEAT	1) SOLDER BATH: SOLDER TEMPERATURE, 260±5°C FOR IMMERSION, DURATION, 10±1s. 2) SOLDERING IRONS : 350 °C FOR 3 s MAX.	NO DEFORMATION OF CASE OF EXCESSIVE LOOSENESS OF THE TERMINALS.	x	—
SOLDERABILITY	SOLDERED AT SOLDER TEMPERATURE, 245±3°C, FOR IMMERSION DURATION, 2 s.		x	—
COUNT	DESCRIPTION OF REVISIONS	DESIGNED	CHECKED	DATE
REMARK ⁽¹⁾ TEMPERATURE RISE INCLUDED WHEN ENERGIZED. ⁽²⁾ THIS STORAGE INDICATES A LONG-TERM STORAGE STATE FOR THE UNUSED PRODUCT BEFORE THE BOARD MOUNTED.		APPROVED	NH. NAKATA	17. 04. 10
		CHECKED	HT. YAMAGUCHI	17. 04. 10
		DESIGNED	HR. NAGAYASU	17. 04. 10
		DRAWN	HR. NAGAYASU	17. 04. 10
Unless otherwise specified, refer to MIL-STD-1344.				
Note	QT:Qualification Test AT:Assurance Test X:Applicable Test	DRAWING NO.	ELC-375933-00-00	
	SPECIFICATION SHEET	PART NO.	MA35-*P-2DS (51)	
	HIROSE ELECTRIC CO., LTD.	CODE NO.	CL588	1/1

DRAWING FOR REFERENCE: This is subject to change without notice



PART NO.	CODE NO.	PIN	A	B	KINKED POSITION 1 1	KINKED POSITION 2 2
MA35- 6P-2DS(51)	CL588-0299-7-51	6	6	4	1 OR 2 PINS ON EVERY OTHER PINS	1 OR 2 PINS ON EVERY OTHER PINS
MA35- 8P-2DS(51)	CL588-0331-8-51	8	8	6	2 PINS ON EVERY OTHER PINS	2 PINS ON EVERY OTHER PINS
MA35-10P-2DS(51)	CL588-0321-4-51	10	10	8	2 OR 3 PINS ON EVERY OTHER PINS	2 OR 3 PINS ON EVERY OTHER PINS
MA35-12P-2DS(51)	CL588-0363-4-51	12	12	10	3 PINS ON EVERY OTHER PINS	3 PINS ON EVERY OTHER PINS
MA35-14P-2DS(51)	CL588-0318-0-51	14	14	12	3 OR 4 PINS ON EVERY OTHER PINS	3 OR 4 PINS ON EVERY OTHER PINS
MA35-16P-2DS(51)	CL588-0359-7-51	16	16	14	4 PINS ON EVERY OTHER PINS	4 PINS ON EVERY OTHER PINS
MA35-18P-2DS(51)	CL588-0317-7-51	18	18	16	4 OR 5 PINS ON EVERY OTHER PINS	4 OR 5 PINS ON EVERY OTHER PINS
MA35-20P-2DS(51)	CL588-0312-3-51	20	20	18	5 PINS ON EVERY OTHER PINS	5 PINS ON EVERY OTHER PINS
MA35-22P-2DS(51)	CL588-0360-6-51	22	22	20	5 OR 6 PINS ON EVERY OTHER PINS	5 OR 6 PINS ON EVERY OTHER PINS
MA35-24P-2DS(51)	CL588-0369-0-51	24	24	22	6 PINS ON EVERY OTHER PINS	6 PINS ON EVERY OTHER PINS
MA35-26P-2DS(51)	CL588-0379-4-51	26	26	24	6 OR 7 PINS ON EVERY OTHER PINS	6 OR 7 PINS ON EVERY OTHER PINS
MA35-28P-2DS(51)	CL588-0366-2-51	28	28	26	7 PINS ON EVERY OTHER PINS	7 PINS ON EVERY OTHER PINS
MA35-30P-2DS(51)	CL588-0364-7-51	30	30	28	7 OR 8 PINS ON EVERY OTHER PINS	7 OR 8 PINS ON EVERY OTHER PINS
MA35-32P-2DS(51)	CL588-0319-2-51	32	32	30	8 PINS ON EVERY OTHER PINS	8 PINS ON EVERY OTHER PINS
MA35-40P-2DS(51)	CL588-0365-0-51	40	40	38	10 PINS ON EVERY OTHER PINS	10 PINS ON EVERY OTHER PINS
MA35-44P-2DS(51)	CL588-0371-2-51	44	44	42	11 PINS ON EVERY OTHER PINS	11 PINS ON EVERY OTHER PINS
MA35-50P-2DS(51)	CL588-0320-1-51	50	50	48	12 OR 13 PINS ON EVERY OTHER PINS	12 OR 13 PINS ON EVERY OTHER PINS
MA35-52P-2DS(51)	CL588-0368-8-51	52	52	50	13 PINS ON EVERY OTHER PINS	13 PINS ON EVERY OTHER PINS
MA35-62P-2DS(51)	CL588-0403-7-51	62	62	60	15 OR 16 PINS ON EVERY OTHER PINS	15 OR 16 PINS ON EVERY OTHER PINS

NOTE 1 KINKED POSITION 1 IS SHOWN IN THE TABLE.
2 KINKED POSITION 2 IS SHOWN IN THE TABLE.
3 THROUGH HOLE DIMENSION SHALL BE 0.95 ± 0.04 WHEN NUMBER OF POSITIONS IS MORE THAN 26.

1	POLYAMIDE	BLACK	UL94V-0	2, 3	BRASS	SURFACE : TIN-PLATING 3μm
NO.	MATERIAL	FINISH	REMARKS	NO.	MATERIAL	UNDER PLATING : NICKEL 1μm
UNITS mm		SCALE 5 : 1	COUNT 	DESCRIPTION OF REVISIONS		DESIGNED
HRS HIROSE ELECTRIC CO., LTD.		APPROVED : NH. NAKATA	17. 04. 10	DRAWING NO.		EDC-375933-00-00
		CHECKED : HT. YAMAGUCHI	17. 04. 10	PART NO.		MA35- * P-2DS(51)
		DESIGNED : HR. NAGAYASU	17. 04. 10	CODE NO.		CL588
		DRAWN : HR. NAGAYASU	17. 04. 10			1 / 1