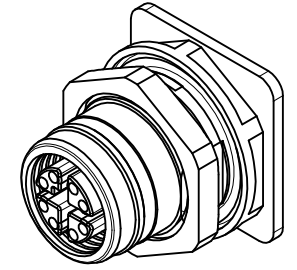


Technical Data:
 M12 CAT6A receptacle back mount PCB 360° shielded.
 Suited for wave application.

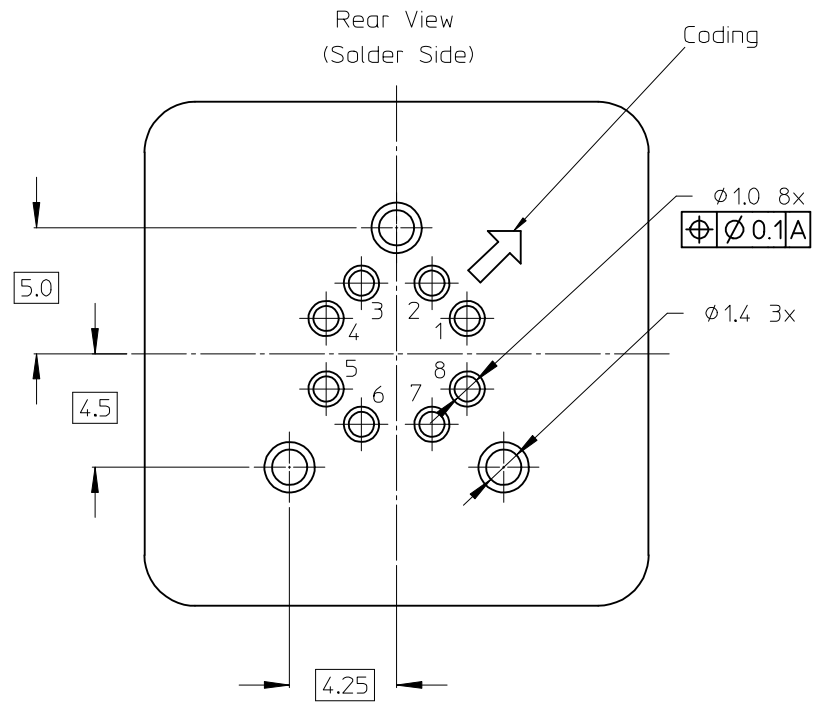
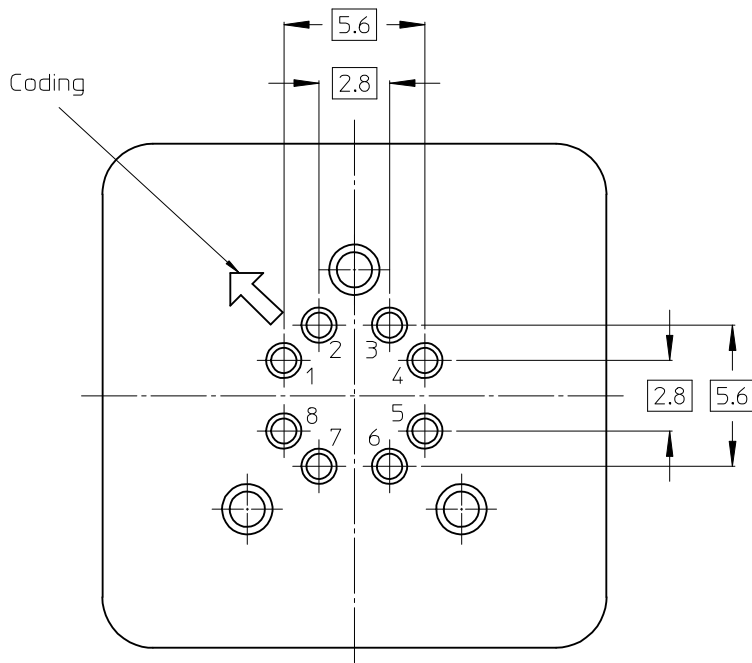
Poles: 8
 Max. Voltage: 48V
 Max Current: 0,5A
 Contact resistance: <5m Ohm
 Insulation withstand: >100M Ohm
 Protection: IP67
 Temperature range: -40°C to 85°C
 Transmission characteristics (category) CAT6_A

POS	DESCRIPTION	MATERIAL	FINISH
01	INSERT	PA BK	-
02	SCHIELDING CROSS	BRASS	NICKEL PLATED
03	CONTACT	BRASS	GOLD OVER NICKEL
04	HOUSING	BRASS	NICKEL PLATED
05	O-RING 7.1x1.35	EPDM VL	-
06	O-RING 15.7x1.3	EPDM BK	-
08	LOCK NUT	BRASS	NICKEL PLATED



For product specification see: PS-120341-001
 Packaging:
 The receptacles are delivered in blister packs a 25 parts.
 8 blister packages per carton.
 All together 200 parts.

ENTER DESCRIPTION EC NO: IPG2014-0364 DRW:RSCHIEBER 2013/08/27 CHK:RSILLER 2013/08/24 APPR:CBURGER 2013/09/25	QUALITY SYMBOLS	GENERAL TOLERANCES (UNLESS SPECIFIED)		DIMENSION STYLE MM ONLY		SCALE 5:1	DESIGN UNITS METRIC	THIRD ANGLE PROJECTION	
	▽=0	mm	INCH	DRAWN BY	DATE	TITLE			
	∇=0	4 PLACES ± --- ± ---	ZISMAYILOV	2011/09/29	M12 CAT6A REC ASSY BACK MOUNT				
		3 PLACES ± --- ± ---	CHECKED BY	DATE	MOLEX INCORPORATED				
	2 PLACES ± 0.05 ± ---	APPROVED BY	DATE	MATERIAL NO.		DOCUMENT NO.		SHEET NO.	
	1 PLACE ± 0.10 ± ---	AVOGT	2012/01/23	1203410150		SD-120341-150		1 OF 3	
	ANGULAR ± ---°	DRAFT WHERE APPLICABLE MUST REMAIN WITHIN DIMENSIONS							
		SIZE	THIS DRAWING CONTAINS INFORMATION THAT IS PROPRIETARY TO MOLEX INCORPORATED AND SHOULD NOT BE USED WITHOUT WRITTEN PERMISSION						



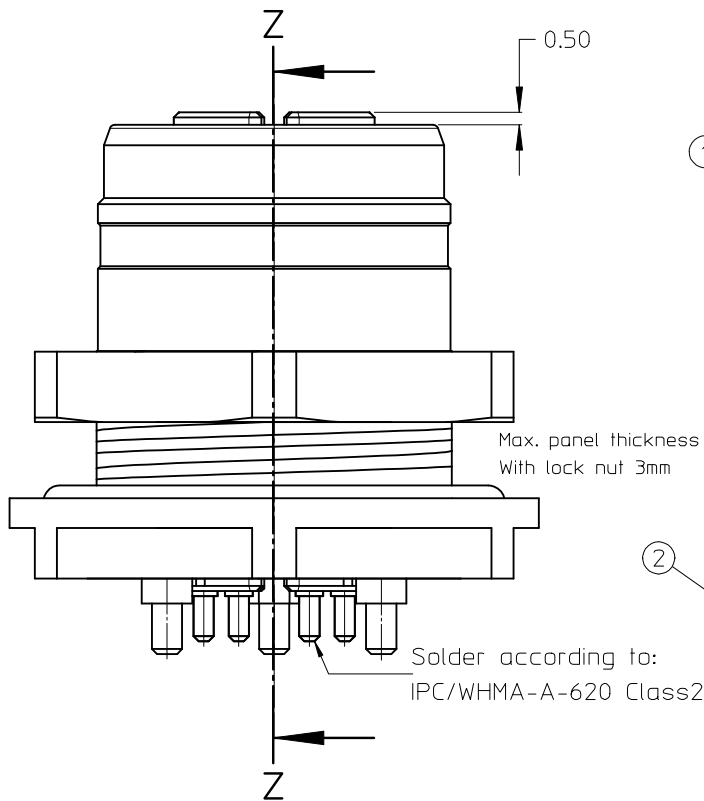
Cable color code and position on receptacle:

- 1 white-orange
- 2 orange
- 3 white-green
- 4 green
- 5 white-brown
- 6 brown
- 7 white-blue
- 8 blue

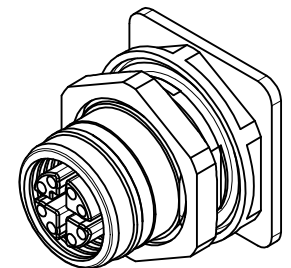
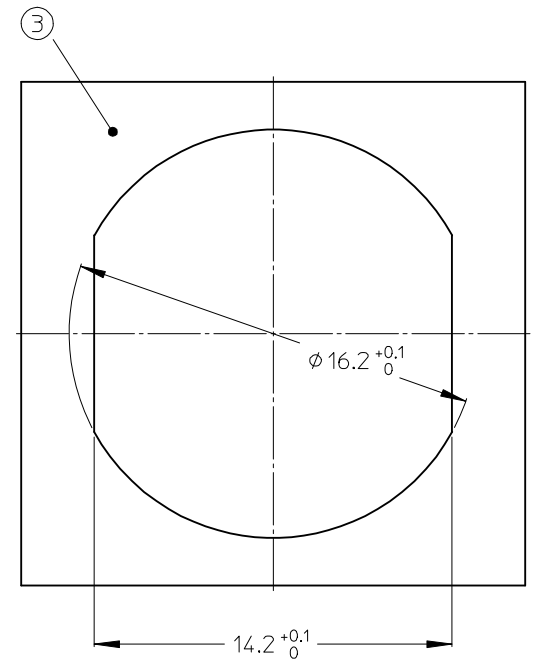
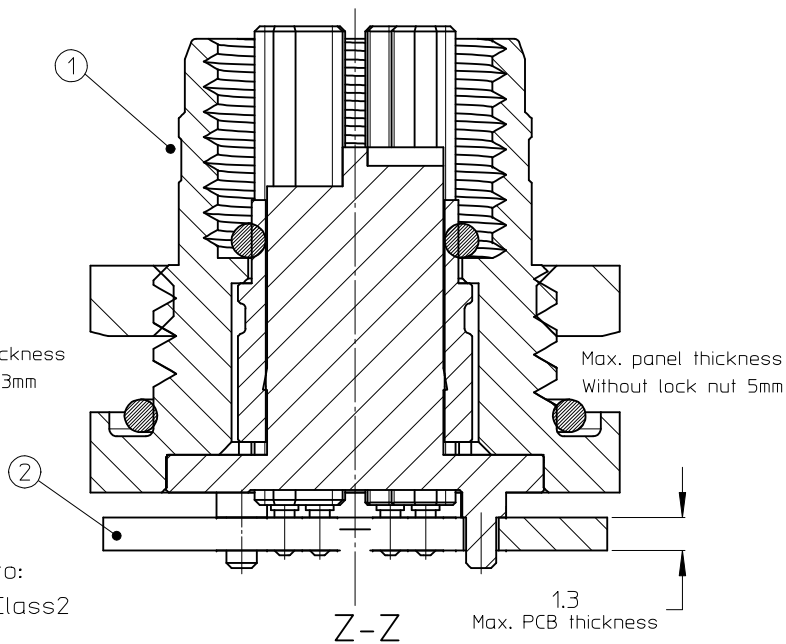
PCB Pinout

ENTER DESCRIPTION EC NO: IPG2014-0364 DRW:RSCHIEBER 2013/08/21 CHK:RSILLER 2013/08/24 APPR:CBURGER 2013/09/25	QUALITY SYMBOLS ▽=0 ◻=0	GENERAL TOLERANCES (UNLESS SPECIFIED)		DIMENSION STYLE	SCALE	DESIGN UNITS	THIRD ANGLE PROJECTION		
				MM ONLY	5:1	METRIC			
				DRAWN BY	DATE	TITLE			
				CHECKED BY	DATE	M12 CAT6A REC ASSY BACK MOUNT			
		4 PLACES ± --- ± ---		APPROVED BY	DATE	MOLEX INCORPORATED			
		3 PLACES ± --- ± ---		AVOGT	2012/01/23				DOCUMENT NO.
		2 PLACES ± 0.05 ± ---		MATERIAL NO.		SD-120341-150			
		1 PLACE ± 0.10 ± ---		1203410150		SHEET NO.			
		ANGULAR ± --- °		SIZE		2 OF 3			
		DRAFT WHERE APPLICABLE MUST REMAIN WITHIN DIMENSIONS		A3		THIS DRAWING CONTAINS INFORMATION THAT IS PROPRIETARY TO MOLEX INCORPORATED AND SHOULD NOT BE USED WITHOUT WRITTEN PERMISSION			

View with lock nut



View without lock nut



- Pos. Description
- 1 Receptacle Back Mount
 - 2 PCB
 - 3 Cutout

ASSEMBLY OF THE RECEPTACLE:

1. The receptacle (1) is soldered to PCB (2)(wave or reflow possible)
The grounding can be over the ground pins of her receptacle and, if needed, over the midpoint of the shielding cross.
2. The PCB with receptacles is mounted from the back side into the cutout(3) and fastened per screwing in or locknut.

ENTER DESCRIPTION EC NO: IPG2014-0364 DRW:RSCHIEBER 2013/08/21 CHK:RSCHIEBER 2013/08/24 APPR:CBURGER 2013/09/25	QUALITY SYMBOLS ▽=0 ◻=0	GENERAL TOLERANCES (UNLESS SPECIFIED)		DIMENSION STYLE	SCALE	DESIGN UNITS	THIRD ANGLE PROJECTION		
			mm	INCH	MM ONLY	5:1	METRIC		
		4 PLACES	±---	±---	DRAWN BY	DATE	TITLE		
		3 PLACES	±---	±---	ZISMAYILOV	2011/09/29	M12 CAT6A REC ASSY BACK MOUNT		
2 PLACES	±0.05	±---	CHECKED BY	DATE	MOLEX INCORPORATED				
1 PLACE	±0.10	±---	RSCHIEBER	2012/01/23	DOCUMENT NO.				
ANGULAR ±---°		APPROVED BY		DATE	SHEET NO.				
		AVOGT		2012/01/23	3 OF 3				
DRAFT WHERE APPLICABLE MUST REMAIN WITHIN DIMENSIONS		MATERIAL NO.		THIS DRAWING CONTAINS INFORMATION THAT IS PROPRIETARY TO MOLEX INCORPORATED AND SHOULD NOT BE USED WITHOUT WRITTEN PERMISSION					
A4		1203410150							