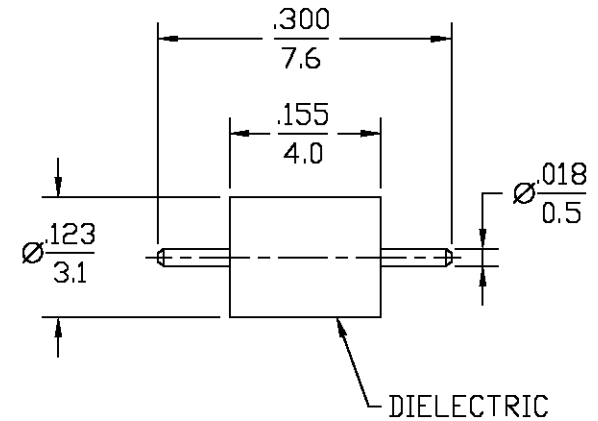
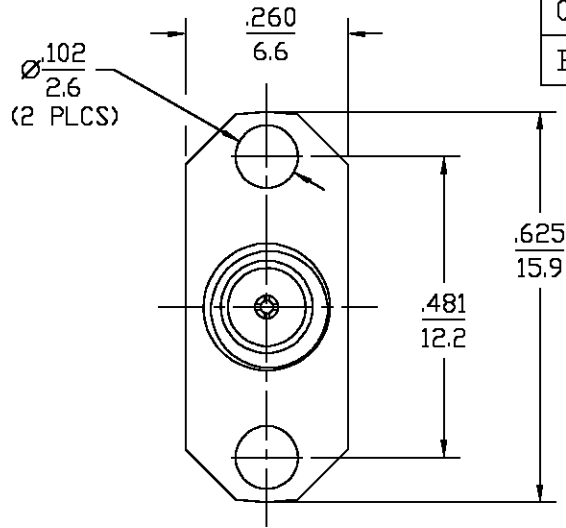
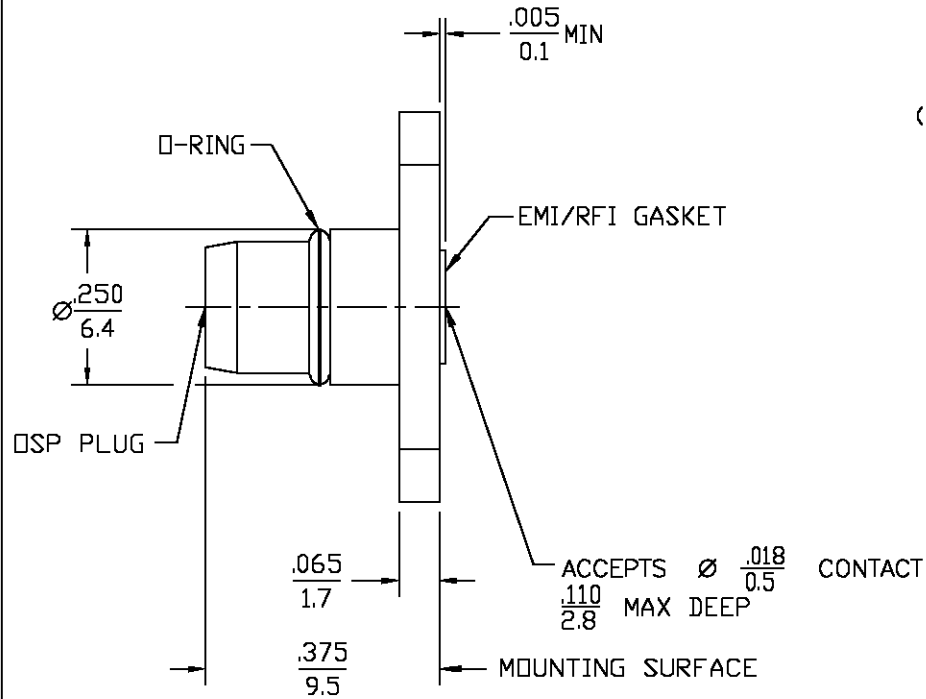


REVISIONS			
REV	DESCRIPTION	DATE	APPROVED
01	RELEASED	9/30/97	KYLE PCW
B	REVISED PER ECN 0U20-0262-01	1/6/03	GV JGH



ELECTRICAL	MECHANICAL	ENVIRONMENTAL
Nominal Impedance (Ohms) <u>50</u>	Interface Dimensions MIL-ARS-348A Fig. 321-1	TEMPERATURE RATING <u>-65° TO +125°C</u>
Frequency Range (GHz) DC to <u>18.0</u>	Mating Characteristics:	Vibration MIL-STD-202, Method 204, Condition D
Volt Rating (VRMS MAX) @ Sea Level <u>335</u>	Insertion (MAX Lbs) <u>3</u>	Shock MIL-STD-202, Method 213, Condition I
VSWR 1.06+.01f(GHz) DC to 18 GHz	Withdrawal (MIN Oz) <u>1</u>	Thermal Shock MIL-STD-202, Method 107, Condition B
Insertion Loss (dB MAX) .04x√f(GHz)	Force to Engage (In/Lbs MAX) <u>3</u> & Disengage (In/Lbs MAX) <u>1.5</u>	Moisture Resistance MIL-STD-202, Method 106
RF Leakage (dB MIN) (Interface Only, Fully Mated) <u>-(90-f(GHz))</u>	Center Contact Captivation	Corrosion - MIL-STD-202, Method 101, Condition B
Corona, 70,000 Ft (VRMS MIN) <u>250</u>	Axial (Lbs) <u>6</u>	
Dielectric Withstanding Voltage (VRMS MIN) @ Sea Level <u>1000</u>	Weight (Grams) <u>TBD</u>	
Contact Resistance (Milliohms MAX)		
Center Contact <u>10.0</u>		
Outer Contact <u>2.0</u>		
RF High Potential @ Sea Level (VRMS MIN @ 5 MHz) <u>667</u>		
I.R.(Megohms MIN) <u>5000</u>		

HOUSING	STAINLESS STEEL PER ASTM-A484 AND ASTM-A582, TYPE 303	PASSIVATE PER QQ-P-35
DIELECTRIC	PTFE FLUOROCARBON PER ASTM-D-1457	N/A
CENTER CONTACT	BERYLLIUM COPPER PER ASTM-B-196 OR ASTM-B-197, ALLOY C17300, CONDITION H	GOLD PLATE PER MIL-G-45204
CONTACT EXT.	BRASS PER ASTM-B-16, HALF HARD	GOLD PLATE PER MIL-G-45204
GASKET	CONDUCTIVE SILVER/SILICONE ELASTOMERS	N/A
O-RING	FLOUROSILICONE PER MIL-R-25988, CLASS I, TYPE I.	N/A

COMPONENT	MATERIAL	FINISH				
UNLESS OTHERWISE SPECIFIED DIMENSIONS ARE IN INCHES TOLERANCE ON						
FRAC.	DEC.	ANGLES				
± 1/64	± .005	± 1°				
DRAWN BY KYLE LE DATE 6-30-97		 AMP Incorporated 140 Fourth Avenue Waltham, MA 02451-7599				
CHECKED BY						
APP'D BY PCW 9/30/97						
USE ASS'Y PROCEDURE		TITLE DSP 2-HOLE FLANGE MOUNT PLUG RECEPTACLE WITH EMI-RFI GASKET				
NO. A.P. N/A		<table border="1"> <tr> <td>SIZE B</td> <td>CODE IDENT NO. 26805</td> <td>4551-3203-02</td> <td>REV 01</td> </tr> </table>	SIZE B	CODE IDENT NO. 26805	4551-3203-02	REV 01
SIZE B	CODE IDENT NO. 26805	4551-3203-02	REV 01			
SCALE 4:1		SHEET 1 OF 1				

.XXX = in
XX.X = mm (REF)