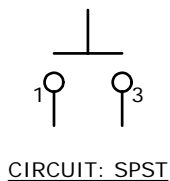
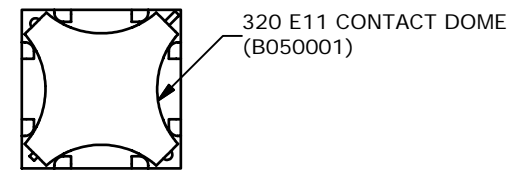
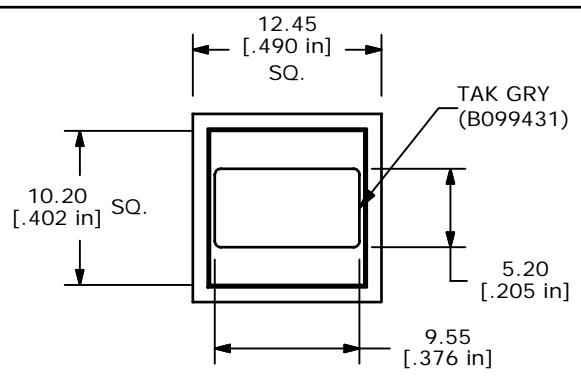


RECOMMENDED P.C.B. LAYOUT

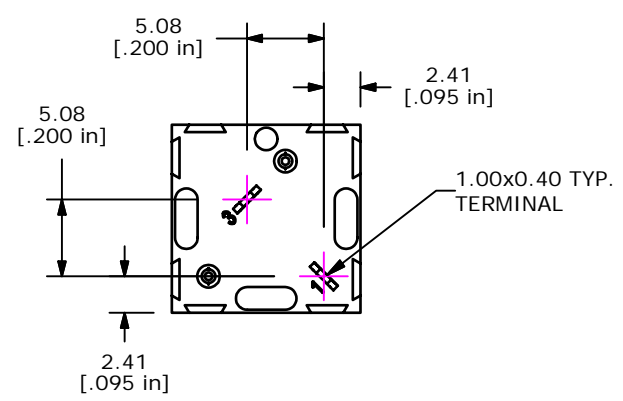
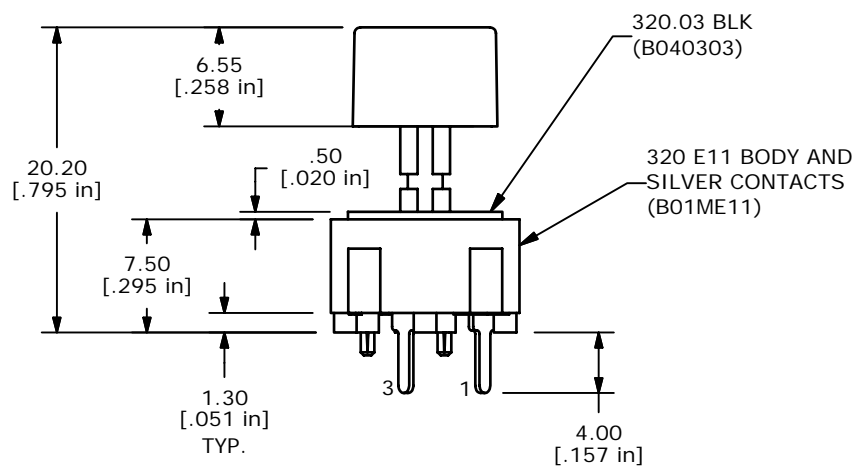


NOTES:

1. ALL DIMENSIONS IN MM [INCH].
2. GENERAL TOLERANCE: X.X=±0.4
X.XX=±0.25
3. TERMINAL NUMBERS FOR REF ONLY.
4. CONTACT RATING: 25mA @50VDC
5. CONTACT RESISTANCE: 50 MILLI-OHM
6. INSULATION RESISTANCE: 1000 MEGA-OHM
7. OPERATING FORCE: 135±50 GRAMS
8. OPERATING TRAVEL: 0.6±0.1mm
9. LIFE CYCLES: 1,000,000
10. OPERATING TEMPERATURE: -20C TO +70C
11. DENOTES CRITICAL PARAMETER.



EXPLODED VIEW WITHOUT B099431 AND B040303



A	15954	NEW RELEASE	4/12/2006	CT
REV	PCR NO	DESCRIPTION	DATE	BY
<small>THE INFORMATION CONTAINED IN THIS DOCUMENT IS PROPRIETARY TO E-SWITCH AND IS NOT TO BE COPIED OR TRANSFERRED</small>				

TITLE 320.03 E11 TAK GRY				
SCALE	DATE	DR	DWG	REV
2:1	4/12/2006	CT	XB0730A	A