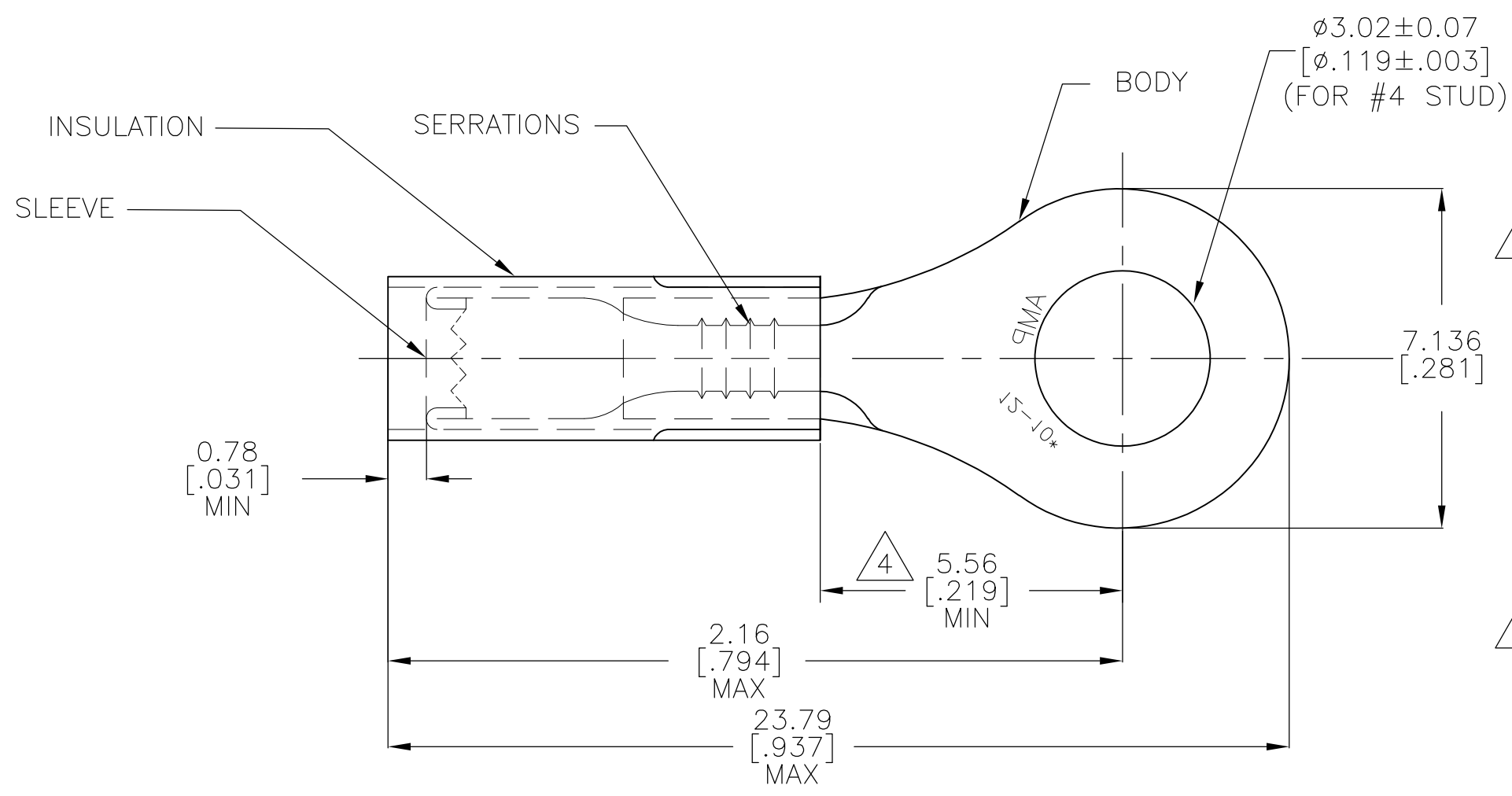


THIS DRAWING IS UNPUBLISHED. RELEASED FOR PUBLICATION  
 © COPYRIGHT - By - ALL RIGHTS RESERVED.

| REVISIONS |     |                           |           |       |
|-----------|-----|---------------------------|-----------|-------|
| P         | LTR | DESCRIPTION               | DATE      | APVD  |
|           | F3  | REVISED PER ECO-15-016493 | 26NOV2015 | NK DR |



- 1 BODY: COPPER ASTM B152  
NICKEL PL SAE AMS QQ-N-290  
0.0076 [.0003] AVG. EXT. THK  
SLEEVE: COPPER ASTM B152  
NICKEL PL SAE AMS QQ-N-290  
0.00076 [.00003] AVG. EXT. THK
- 2 FOR 2.59 [.102] TO 5.43 [.214]  
WIRE INSULATION DIA.
- 3 TONGUE MATERIAL THK: 0.99±0.05 [.039±.002]
- 4 DIMENSION APPLIES FROM EDGE OF  
METAL WIRE BARREL TO CENTER OF  
STUD HOLE

|             |      |              |          |                                   |
|-------------|------|--------------|----------|-----------------------------------|
| PRELIMINARY | 1000 | LOOSE PIECE  | 50844-2  | PVDF<br>COLOR:BLACK               |
|             | 1000 | LOOSE PIECE  | 50844    | PTFE (ASTM D3295)<br>COLOR: BLACK |
|             | QTY  | PACKAGE TYPE | PART NO. | INSULATION MATERIAL               |

|  |  |  |  |  |                                     |                 |              |           |            |   |
|--|--|--|--|--|-------------------------------------|-----------------|--------------|-----------|------------|---|
| AMP INCORPORATED<br>CUSTOMER SERVICE SYSTEMS                                     |  | MAX RECOMMENDED OPERATING TEMPERATURE:<br>288°C [550°F]                | THIS DRAWING IS A CONTROLLED DOCUMENT. |  | DWN 13OCT2015<br>NAGALAKSHMI K      | TE Connectivity |              |           |            |   |
| FOR ADDITIONAL PRODUCT INFORMATION OR COPIES OF DRAWINGS AND TECHNICAL DOCUMENTS | PRODUCT INFORMATION CENTER<br>1-800-522-6752 | VOLTAGE RATING:<br>300V MAX  | DIMENSIONS:<br>mm [INCHES]             | TOLERANCES UNLESS OTHERWISE SPECIFIED:   | CHK 13OCT2015<br>MERCURIO MAURIZIO  |                 |              |           |            | NAME<br>WIRE TERMINAL<br>PIDG, STRATO-THERM, RING TONGUE<br>WIRE SIZE:12-10 |
| FOR APPLICATION TOOLING INFORMATION  | TOOLING ASSISTANCE CENTER<br>1-800-722-1111  | CIRCULAR MIL AREA:<br>2.62-6.64mm²[5,180-13,100]<br>STRANDED WIRE ONLY |  | 0 PLC ± -<br>1 PLC ± -<br>2 PLC ± 0.20 [.008]<br>3 PLC ± -<br>4 PLC ± -<br>ANGLES ± 5° | APVD 13OCT2015<br>MERCURIO MAURIZIO | PRODUCT SPEC    | SIZE         | CAGE CODE | DRAWING NO | RESTRICTED TO   |
| FOR ORDER ENTRY  | 1-800-526-5142                               |  | MATERIAL                               | FINISH   | WEIGHT -                            |                 | A3           | 00779     | C-50844    |   |
| CUSTOMER DRAWING   |  |  |  |  |                                     | SCALE NTS       | SHEET 1 OF 1 | REV F3    |            |   |