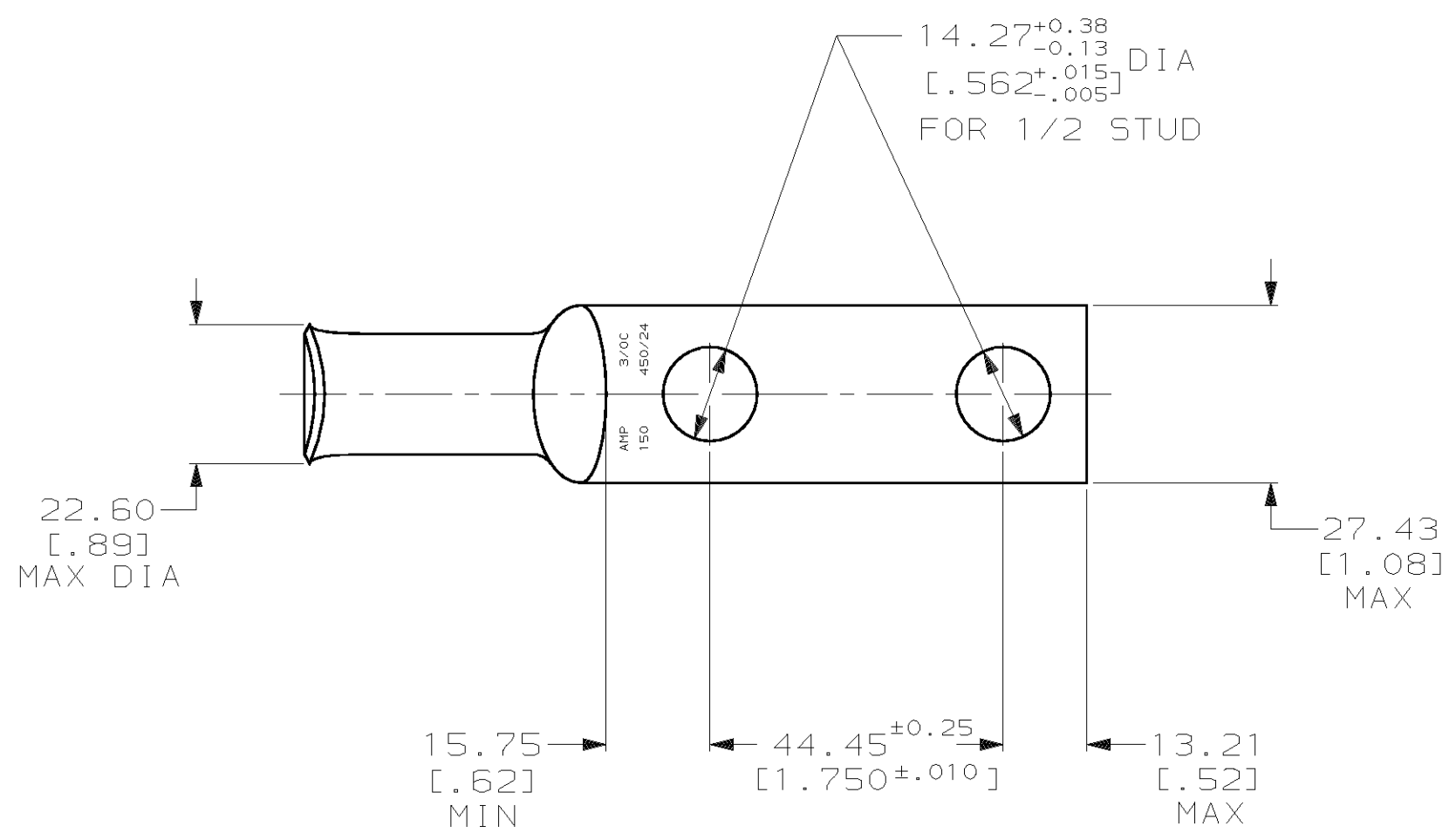
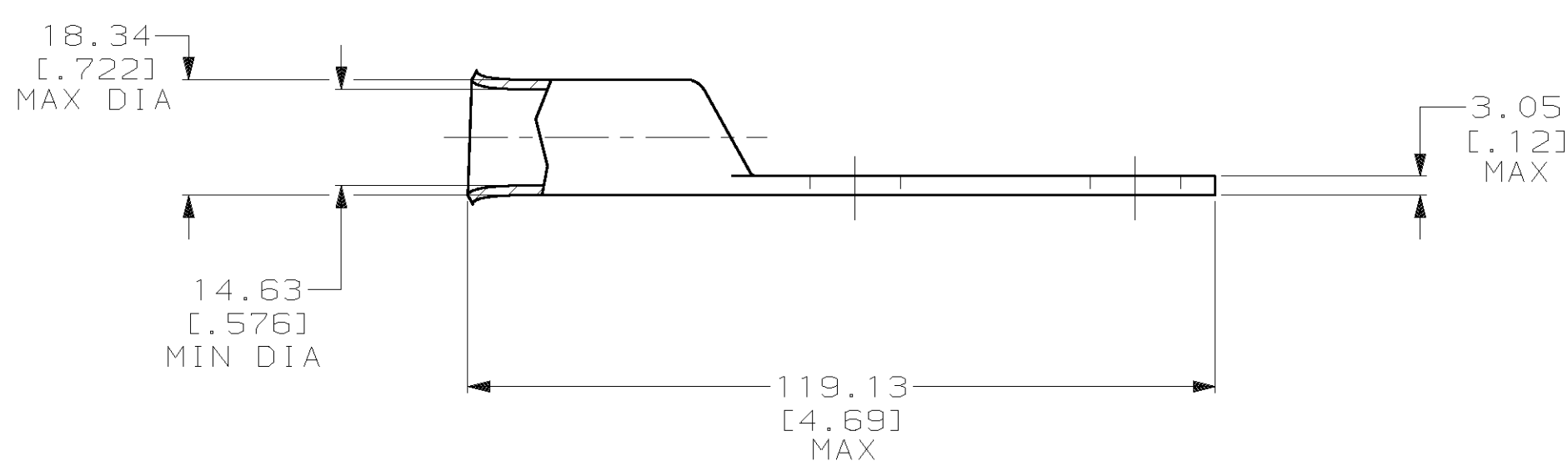


THIS DRAWING IS UNPUBLISHED. RELEASED FOR PUBLICATION, 19 .
 © COPYRIGHT 19 BY AMP INCORPORATED. ALL INTERNATIONAL RIGHTS RESERVED.

LOC		DIST		REVISIONS				DATE	APPD
ZONE	LTR	DESCRIPTION	DATE	APPD					
G	86	P	F	C	REV PER 0G3A-0561-01	030CT02	JR/MS		



1 CIRCULAR MIL RANGE: 150,500-190,000 CM
 2 TIN PL 0.00381 [0.000150] MIN THK PER MIL-T-10727



DO NOT SCALE PRINT. UNLESS SPECIFIED DIMENSIONS IN mm [INCHES] TOLERANCES ON : 2 PLC DEC ± 0.51 [.020] 3 PLC DEC ± - ANGLES ± -		DR 02/28/90 DK SCHRUM	53682-2 PART NO	
MATERIAL ANNEALED COPPER ASTM B-75	CHK 18JAN95 MS FEHER	APPD 18JAN95 WJ VOCKROTH	AMP AMP INCORPORATED Harrisburg, Pa. 17105	
FINISH 2	APPD 18JAN95 TL SHUTTER	PRODUCT SPEC -	NAME TERMINAL, AMPPOWER, WIRE SIZE: 3/0 AWG	
APPLICATION SPEC -	APPD 18JAN95 TL SHUTTER	WEIGHT .148 LB	SIZE C	CAGE CODE 00779
			DRAWING NO 53682	SHEET 1 OF 1
			SCALE 1:1	CUSTOMER DRAWING