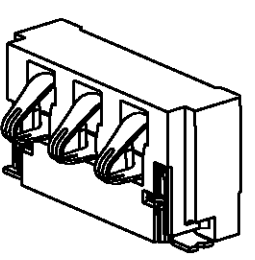
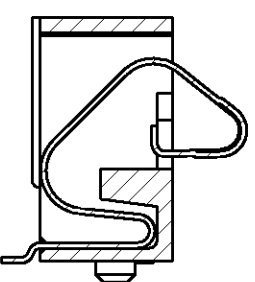
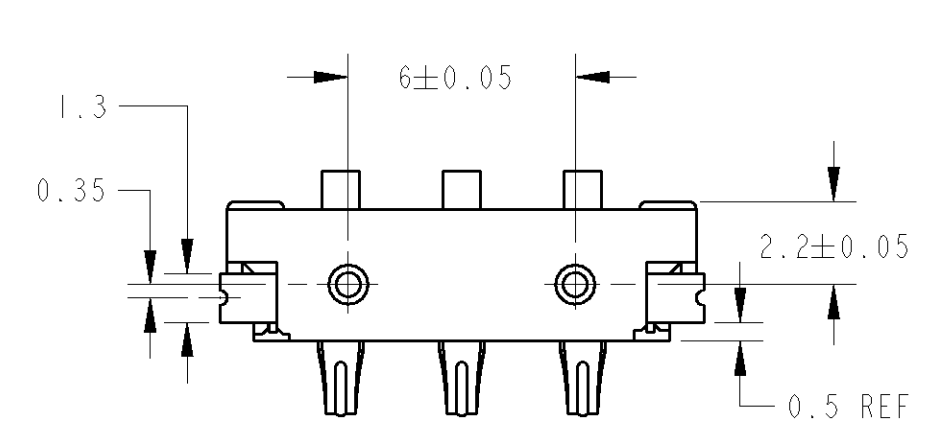
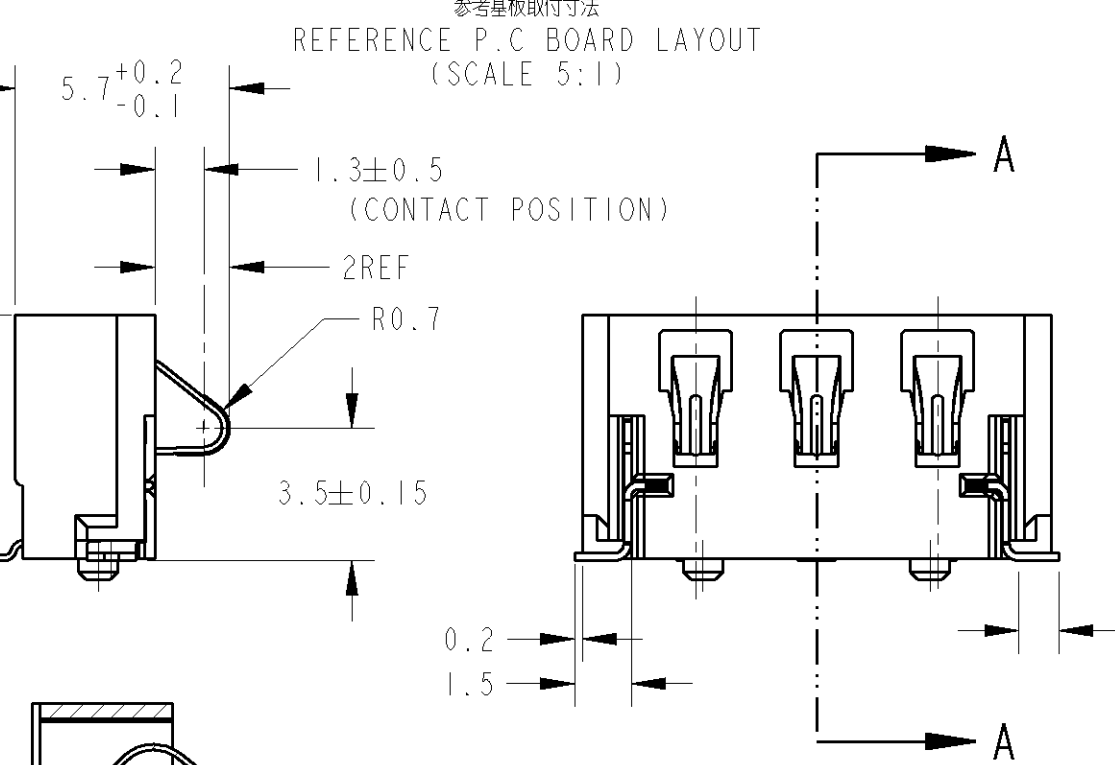
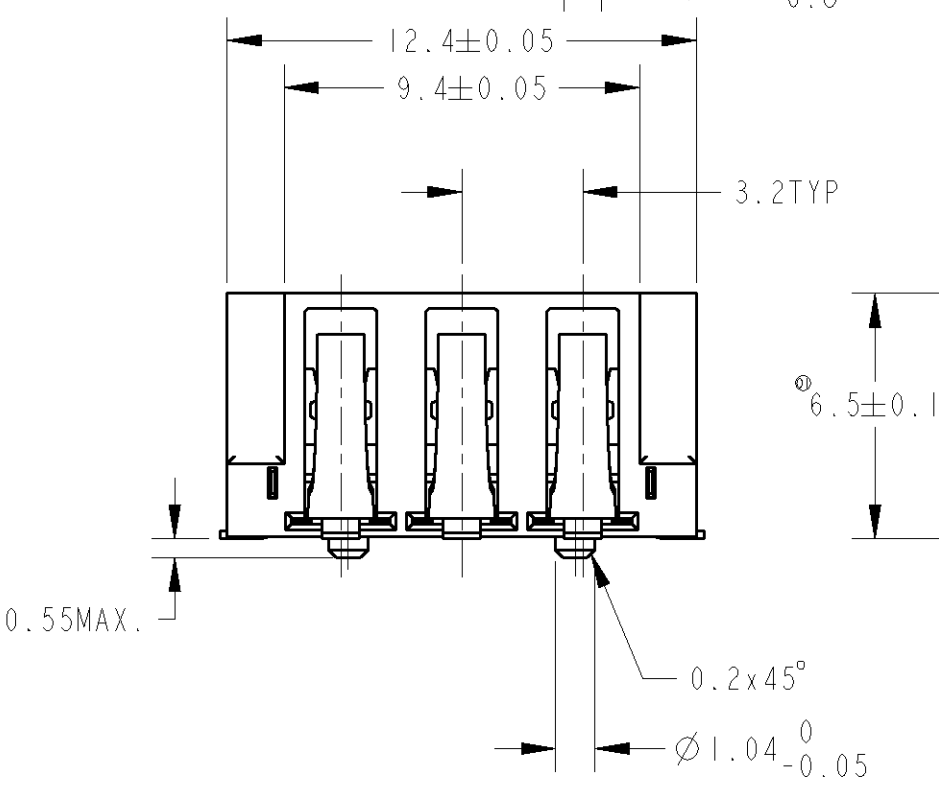
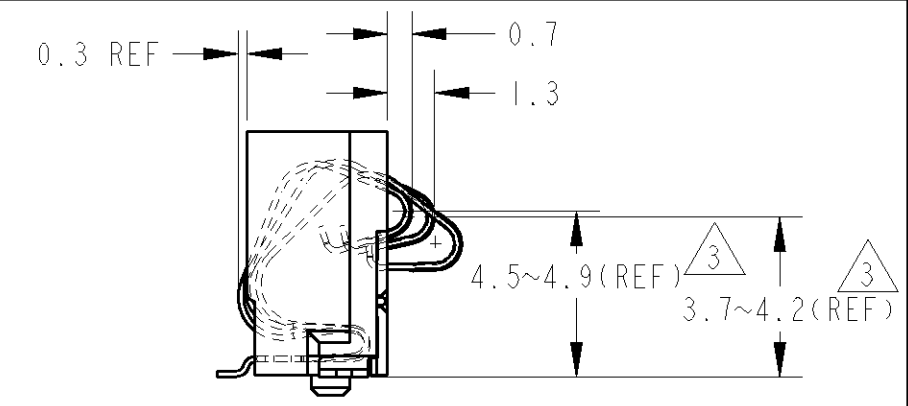
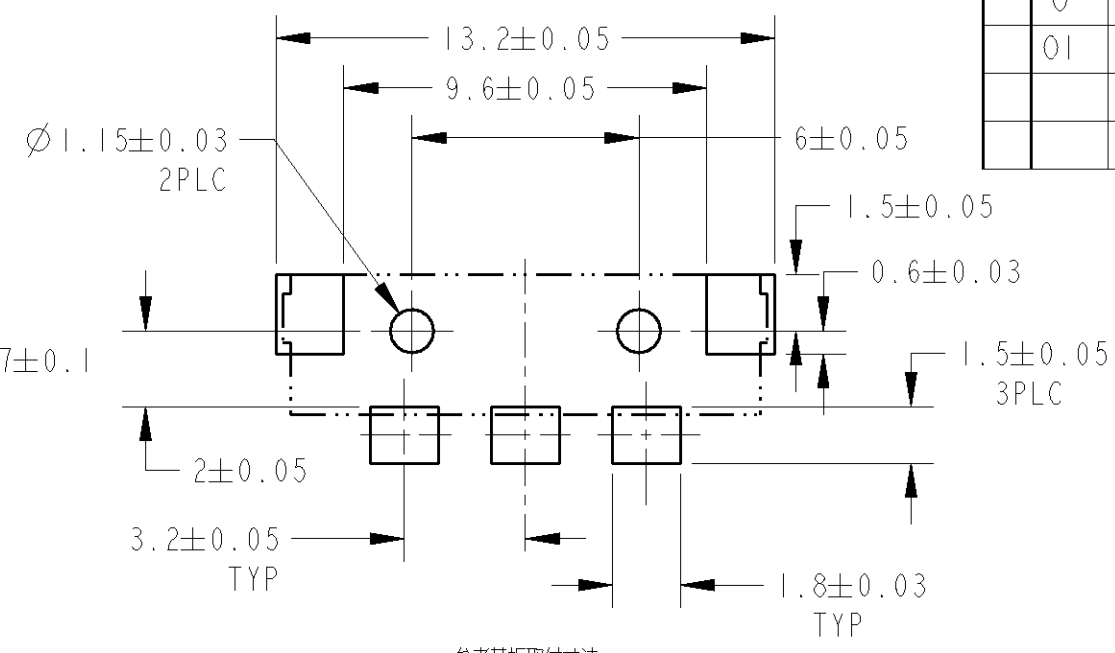
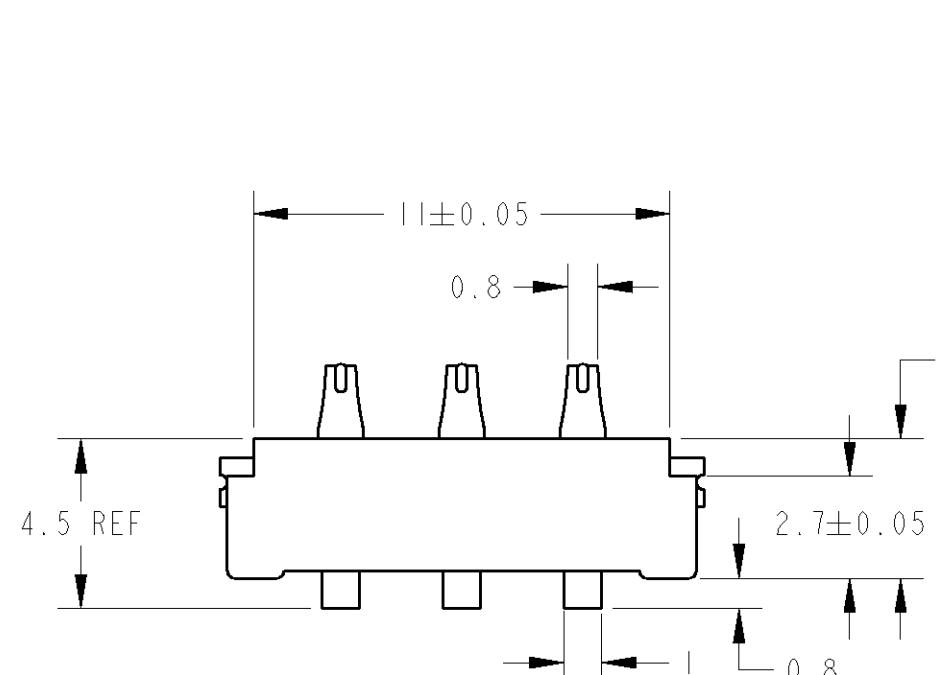


THIS DRAWING IS UNPUBLISHED. RELEASED FOR PUBLICATION
 © COPYRIGHT 20 BY TYCO ELECTRONICS CORPORATION. ALL RIGHTS RESERVED.

LOC	DIST	REVISIONS					
J	-	P	LTR	DESCRIPTION	DATE	DWN	APVD
		0		RELEASED	FJBO-0294-04	23MAR04	T.K K.I
		01		REVISED	FJBO-1317-04	24NOV04	T.K K.I



参考基板取付寸法
 REFERENCE P.C BOARD LAYOUT
 (SCALE 5:1)

ストローク時参考寸法

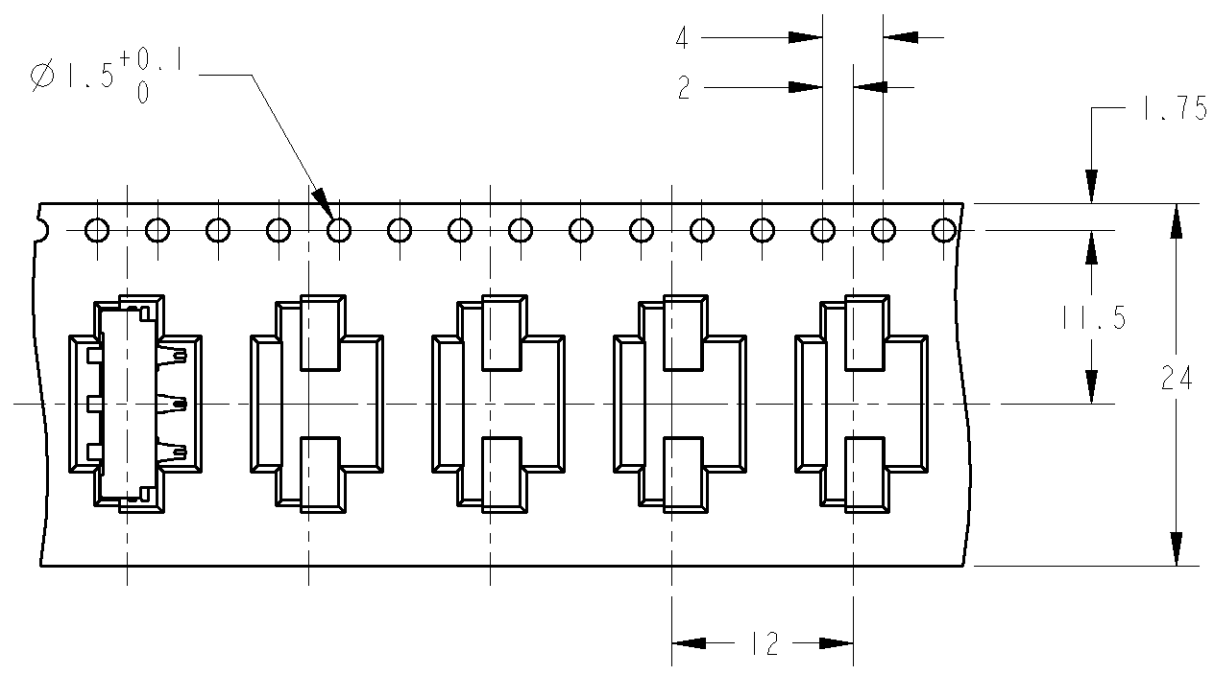
- 1 材料
 コンタクト: 銅合金
 ハウジング: 6Tナイロン, UL94V-0, 黒
 ソルダペグ: 銅合金
 - 2 仕上り
 コンタクト: ニッケル下地めっき1.27µm以上
 接点部: 金めっき1µm以上
 半田付け部: 金フラッシュめっき0.05~0.13µm
 ソルダペグ: ニッケル下地めっき1µm以上
 鍍めつき1µm以上
 - 3 ストローク時接点位置(ワイピング量)は相手側パッドとの摩擦係数に依存する。
- 1 MATERIAL
 CONTACT: COPPER ALLOY
 HOUSING: 6T PA, UL94V-0, BLACK
 SOLDER PEG: COPPER ALLOY
- 2 FINISH
 CONTACT: NICKEL ALL OVER UNDER PLATING,
 THK. 1.27µm MIN.
 GOLD PLATING AT CONTACT AREA,
 THK. 1µm MIN.
 GOLD FLASH PLATING AT LEAD AREA,
 THK. 0.05~0.13µm.
 SOLDER PEG: NICKEL ALL OVER UNDER PLATING,
 THK. 1µm MIN.
 TIN PLATING, THK. 1µm MIN.
- 3 DEPEND ON FRICTION COEFFICIENT
 AGAINST PAD OF BATTERY PACK.

1746142-1: AS SHOWN

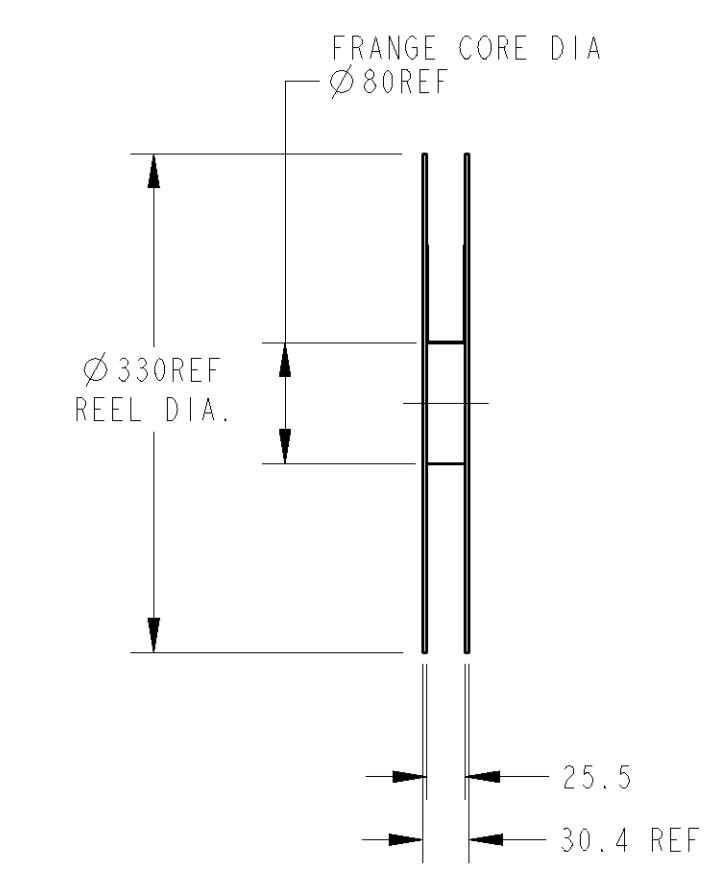
THIS DRAWING IS A CONTROLLED DOCUMENT FOR TYCO ELECTRONICS CORPORATION IT IS SUBJECT TO CHANGE AND THE CONTROLLING ENGINEERING ORGANIZATION SHOULD BE CONTACTED FOR THE LATEST REVISION.		DWN T. KATANO 23MAR04	 Tyco Electronics AMP K.K. Kawasaki, Japan
DIMENSIONS: 単位: 英 mm		CHK T. KIMURA 23MAR04	
TOLERANCES UNLESS OTHERWISE SPECIFIED: 一般公差 ±0.3 0-PLC ± 1-PLC ±0.1 2-PLC ±0.01 3-PLC ±0.001 4-PLC ±0.0001 ANGLES ±3°		APVD K. IKEGAMI 23MAR04	
MATERIAL 材料		PRODUCT SPEC 製品規格 108-5956	NAME 名称 LEAF BATTERY CONNECTOR 3POS.
FINISH 仕上		APPLICATION SPEC 取付適用規格 -	SIZE A3
1		WEIGHT 0.4g	CAGE CODE 00779
2		DRAWING NO 1746142	
CUSTOMER DRAWING		RESTRICTED TO -	
SCALE 尺度 5:1		SHEET 1 OF 2	
		REV 01	

THIS DRAWING IS UNPUBLISHED. RELEASED FOR PUBLICATION 20
 © COPYRIGHT 20 BY TYCO ELECTRONICS CORPORATION. ALL RIGHTS RESERVED.

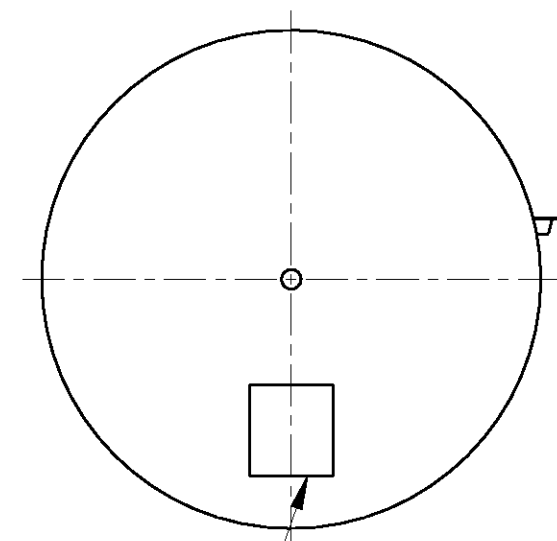
LOC	DIST	REVISIONS					
		P	LTR	DESCRIPTION	DATE	DWN	APVD
J	-	-	-	SEE SHEET 1	-	-	-



- 1; AS SHOWN
 - 1; 本図



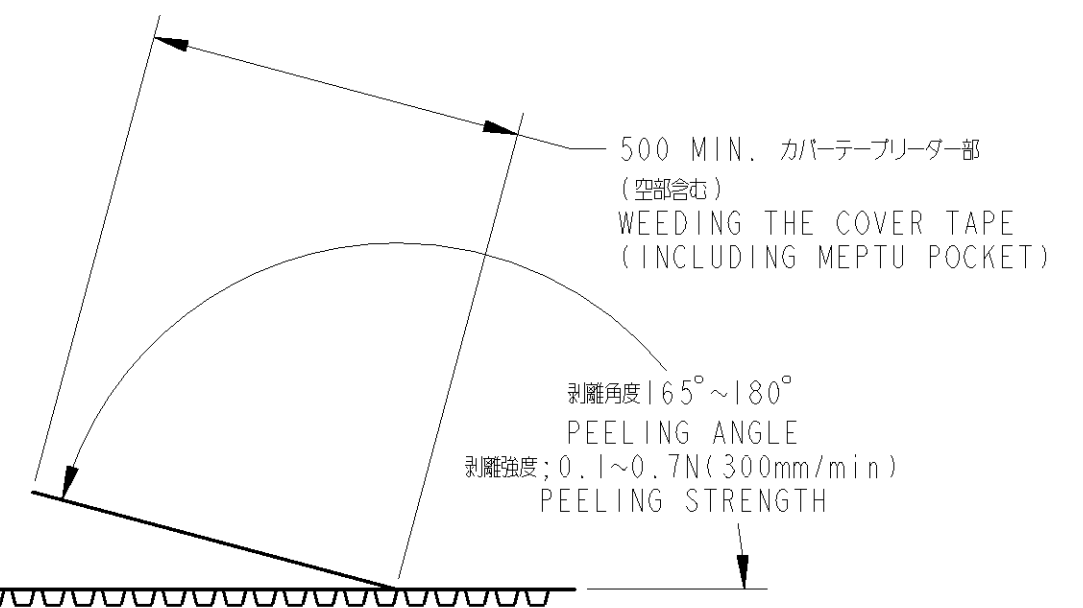
SCALE 2:1



Tyco P/N: 1746142-1
 Qty: 500pcs
 D/C:
 Made in China

ラベル記載内容 / LABEL DESCRIPTION

空部 10穴以上 WITHOUT CHARGE 10HOLES MIN.
 製品装填部 WITH PRODUCT CHARGE 500個/1リール 500EA/1REEL
 空部 15穴以上 WITHOUT CHARGE 15HOLES MIN.



THIS DRAWING IS A CONTROLLED DOCUMENT FOR TYCO ELECTRONICS CORPORATION
 IT IS SUBJECT TO CHANGE AND THE CONTROLLING ENGINEERING ORGANIZATION
 SHOULD BE CONTACTED FOR THE LATEST REVISION.

DIMENSIONS:	TOLERANCES UNLESS OTHERWISE SPECIFIED:
単位: 毫 mm	一般公差 ± 0.3
	0-PLC \pm
	1-PLC ± 0.1
	2-PLC ± 0.01
	3-PLC ± 0.001
	4-PLC ± 0.0001
	ANGLES $\pm 3'$

MATERIAL 材料	FINISH 仕上	WEIGHT
-	-	-

DWN	T. KATANO	23MAR04
CHK	T. KIMURA	23MAR04
APVD	K. IKEGAMI	23MAR04
PRODUCT SPEC	製品規格	
APPLICATION SPEC	取付適用規格	
WEIGHT	-	

tyco Electronics		Tyco Electronics AMP K.K. Kawasaki, Japan	
NAME 名称 LEAF BATTERY CONNECTOR 3POS.			
SIZE	CAGE CODE	DRAWING NO 番号	RESTRICTED TO
A3	00779	C=1746142	-
CUSTOMER DRAWING		SCALE 尺度	SHEET 2 OF 2 REV 01
		NON	