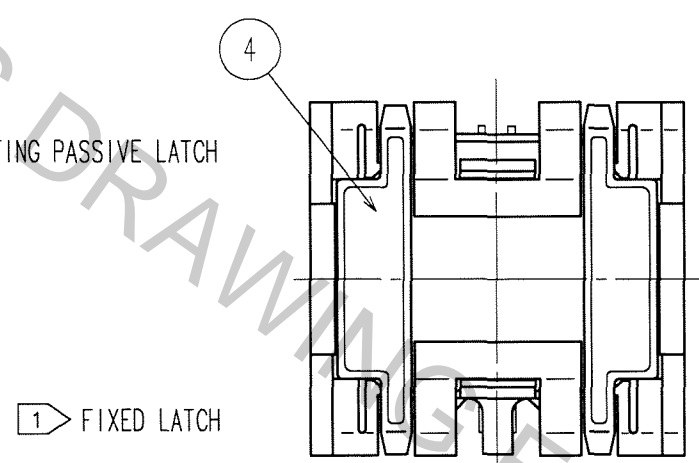
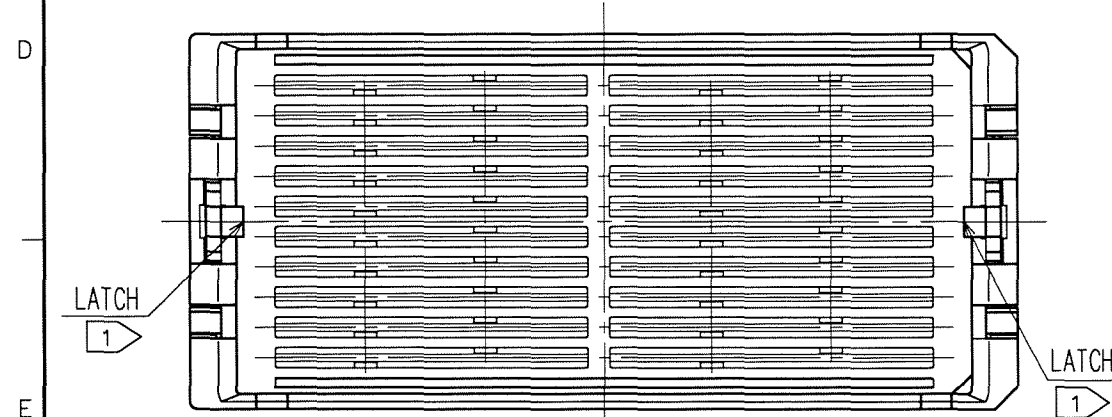
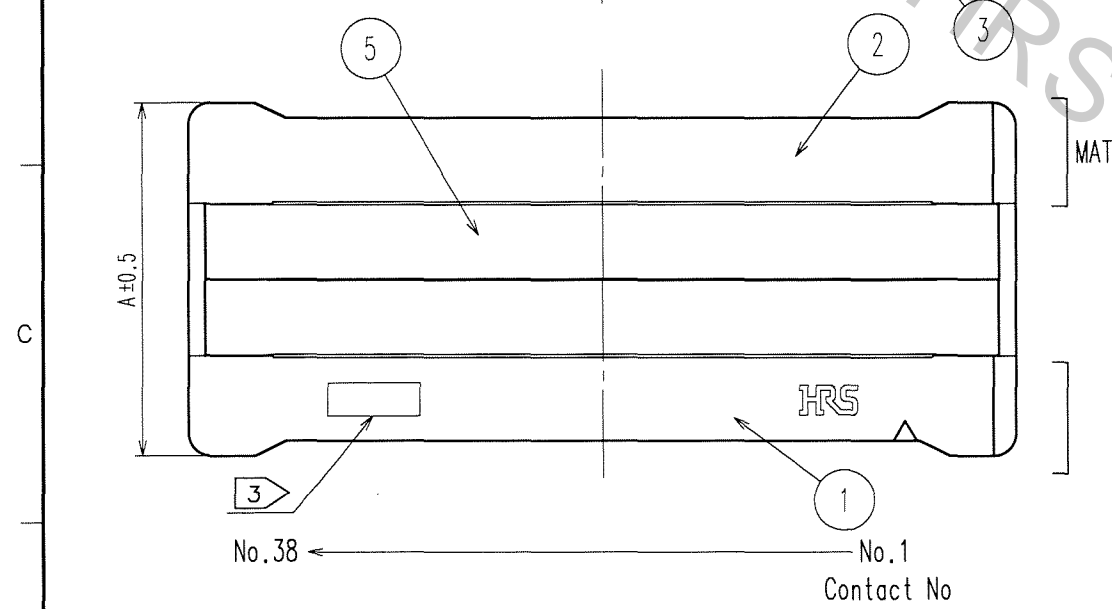
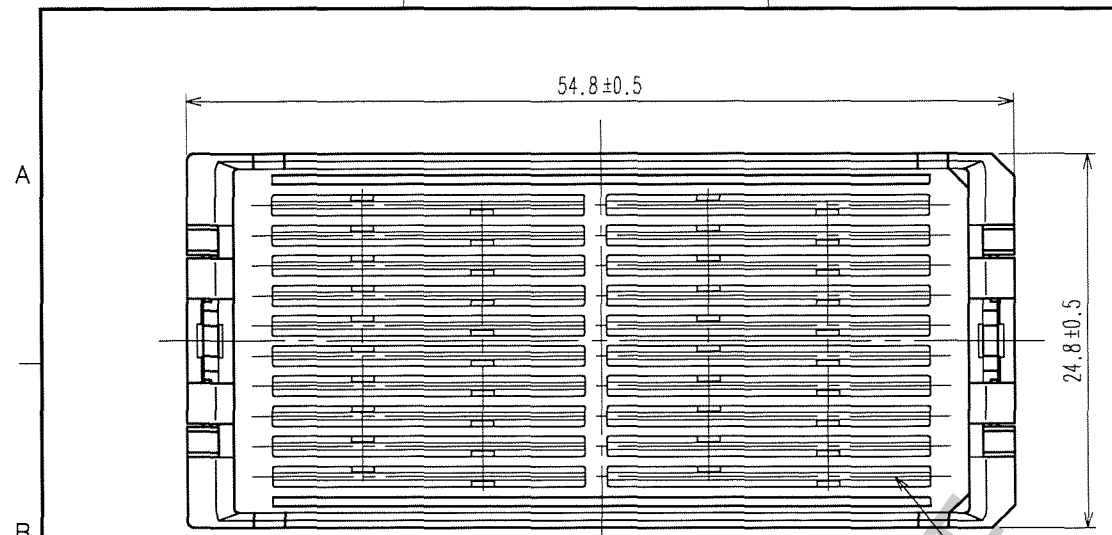
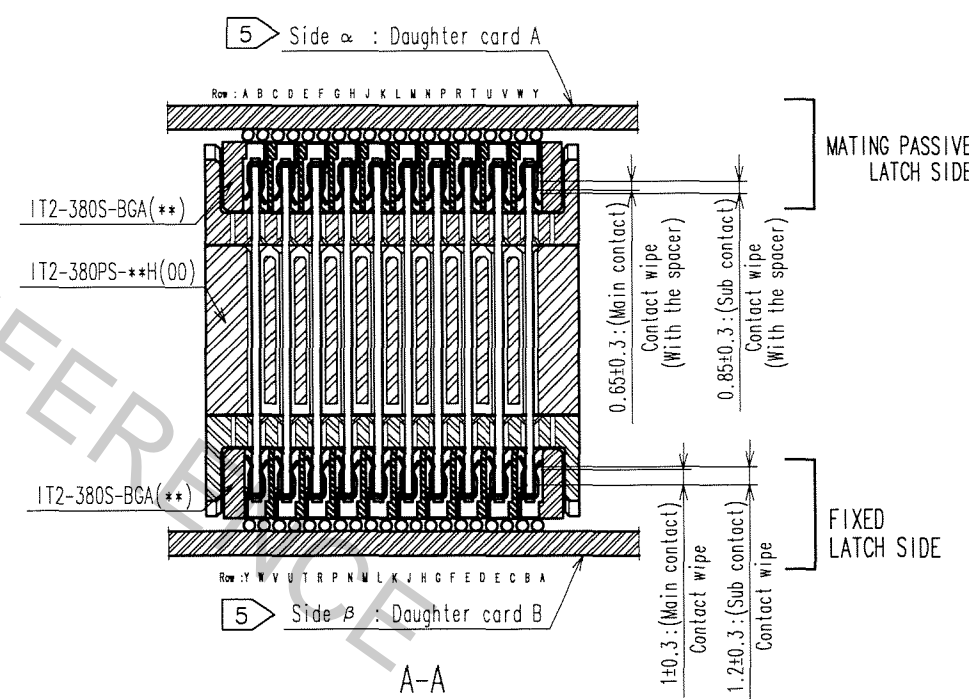
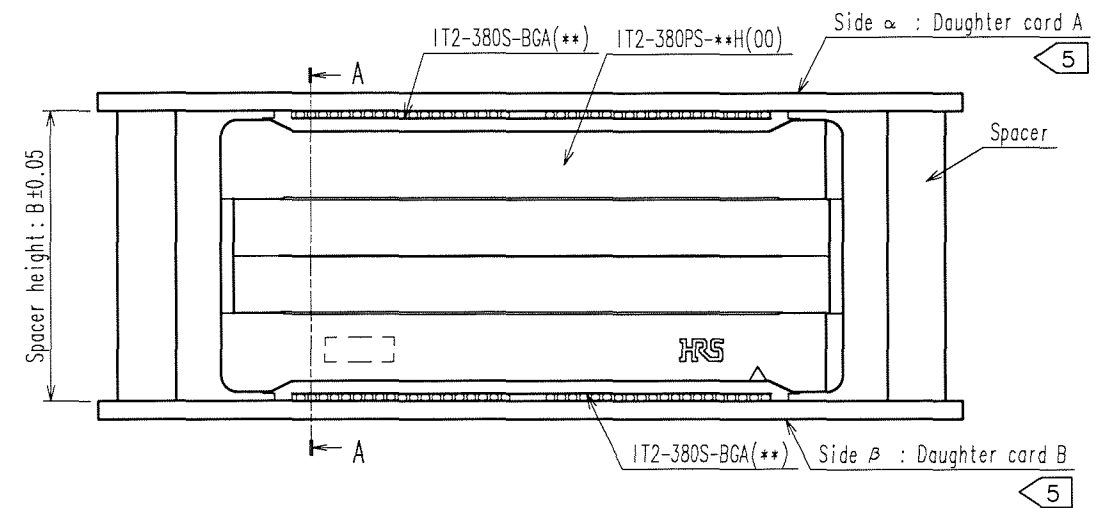


COUNT	DESCRIPTION OF REVISIONS	BY	CHKD	DATE	COUNT	DESCRIPTION OF REVISIONS	BY	CHKD	DATE



HRS No.	PART NO.	A	B
641-2151-1-00	IT2-380PS-15H(00)	13.4	15.35
641-2155-2-00	IT2-380PS-17H(00)	15.4	17.35
641-2256-0-00	IT2-380PS-20H(00)	18.4	20.35
641-2251-6-00	IT2-380PS-25H(00)	23.4	25.35
641-2255-7-00	IT2-380PS-26H(00)	24.4	26.35
641-2502-4-00	IT2-380PS-28H(00)	26.4	28.35
641-2301-2-00	IT2-380PS-30H(00)	28.4	30.35
641-2300-0-00	IT2-380PS-35H(00)	33.4	35.35
641-2503-7-00	IT2-380PS-40H(00)	38.4	40.35
641-2500-9-00	IT2-380PS-50H(00)	48.4	50.35

(Remarks)
Please contact HIROSE sales person for the availability of products. Some parts may be under development.



- NOTE.
- Once fixing part is mated with the receptacle:IT2-380S-BGA(**), it is not detachable because the receptacle catches on the latch.
 - This product consists of 180 signal lines and 200 ground lines.The Fig.1 shows the recommended spacer height and how those signal lines and ground lines are arranged and mated in a practical use.
 - Lot No. shall be marked on one of the two indicated positions.
 - White remainings of sealing lubricant might be found on the surface of the part① or part②. The remainings do not affect the connector's performance.
 - The indicated daughter card_A and card_B shall be fastened to the additional reinforcements to prevent the stress on IT2-380S-BGA(**) solder joints.
 - Details are shown in 『IT2 design guideline(ETAD-F0276)』.

5	PBT	BLACK	UL94V-0	4	PBT	BLACK	UL94V-0
2	PBT	GRAY	UL94V-0	3	GLASS-EPOXY:FR-4	CONTACT AREA:NICKEL(3μm)+GOLD(0.2μm)	
1	PBT	BLACK	UL94V-0	OTHERS : SOLDER RESIST			
NO.	MATERIAL	FINISH, REMARKS		NO.	MATERIAL	FINISH, REMARKS	

CODE NO. (OLD) CL		DRAWN	DESIGNED	CHECKED	APPROVED	RELEASED
		H.Saitou	H.Saitou	S. Tomieka	K. Hayama	
		07.01.19	07.01.19	07.01.24	07.01.25	
DRAWING NO. EDC3-156711-02		PART NO. IT2-380PS-**H(00)		CODE NO. CL641		
SCALE 2 : 1		HRS HIROSE ELECTRIC CO., LTD		1/3		
UNITS mm						

TO

Apr.1.2017 Copyright 2017 HIROSE ELECTRIC CO., LTD. All Rights Reserved.

COUNT	DESCRIPTION OF REVISIONS	BY	CHKD	DATE	COUNT	DESCRIPTION OF REVISIONS	BY	CHKD	DATE

○ : Signal ● : Ground

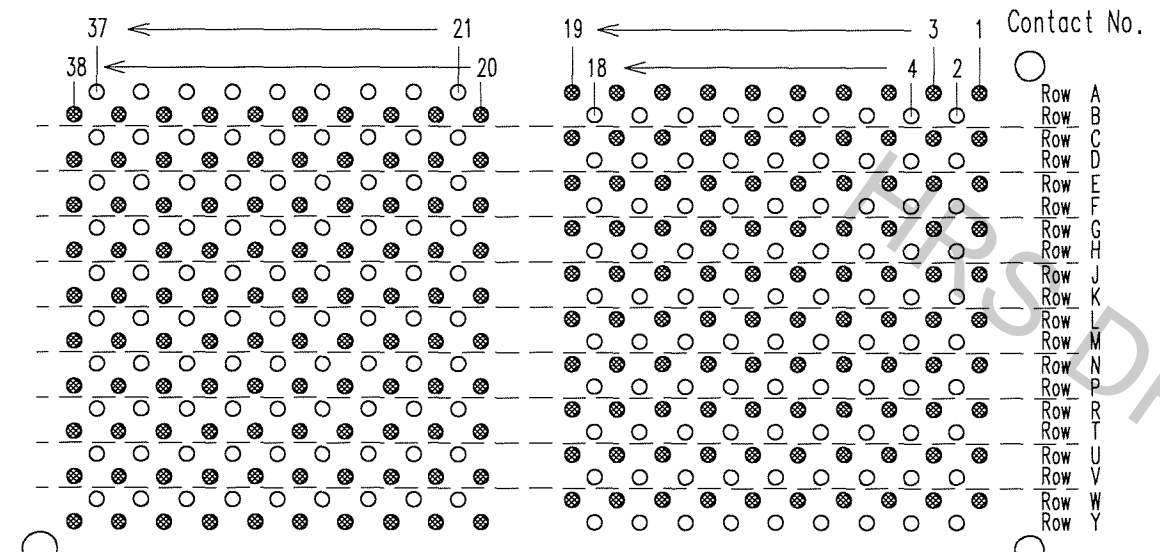


Fig.2 BGA land pattern for IT2-380S-BGA(**)

Symbols ⊙ : Signal G : Ground

Pin connection	38	37	36	35	34	33	32	31	30	29	28	27	26	25	24	23	22	21	20	19	18	17	16	15	14	13	12	11	10	9	8	7	6	5	4	3	2	1	Contact No.	Row	Pin connection
	⊙	⊙	⊙	⊙	⊙	⊙	⊙	⊙	⊙	⊙	⊙	⊙	⊙	⊙	⊙	⊙	⊙	⊙	⊙	G	G	G	G	G	G	G	G	G	G	G	G	G	G	G	G	G	G	Row A			
	G	G	G	G	G	G	G	G	G	G	G	G	G	G	G	G	G	G	G	G	⊙	⊙	⊙	⊙	⊙	⊙	⊙	⊙	⊙	⊙	⊙	⊙	⊙	⊙	⊙	⊙	⊙	Row B			
	⊙	⊙	⊙	⊙	⊙	⊙	⊙	⊙	⊙	⊙	⊙	⊙	⊙	⊙	⊙	⊙	⊙	⊙	⊙	G	G	G	G	G	G	G	G	G	G	G	G	G	G	G	G	G	Row C				
	G	G	G	G	G	G	G	G	G	G	G	G	G	G	G	G	G	G	G	G	⊙	⊙	⊙	⊙	⊙	⊙	⊙	⊙	⊙	⊙	⊙	⊙	⊙	⊙	⊙	⊙	⊙	Row D			
	⊙	⊙	⊙	⊙	⊙	⊙	⊙	⊙	⊙	⊙	⊙	⊙	⊙	⊙	⊙	⊙	⊙	⊙	⊙	G	G	G	G	G	G	G	G	G	G	G	G	G	G	G	G	G	Row E				
	G	G	G	G	G	G	G	G	G	G	G	G	G	G	G	G	G	G	G	G	⊙	⊙	⊙	⊙	⊙	⊙	⊙	⊙	⊙	⊙	⊙	⊙	⊙	⊙	⊙	⊙	⊙	Row F			
	⊙	⊙	⊙	⊙	⊙	⊙	⊙	⊙	⊙	⊙	⊙	⊙	⊙	⊙	⊙	⊙	⊙	⊙	⊙	G	G	G	G	G	G	G	G	G	G	G	G	G	G	G	G	G	Row G				
	G	G	G	G	G	G	G	G	G	G	G	G	G	G	G	G	G	G	G	G	⊙	⊙	⊙	⊙	⊙	⊙	⊙	⊙	⊙	⊙	⊙	⊙	⊙	⊙	⊙	⊙	⊙	Row H			
	⊙	⊙	⊙	⊙	⊙	⊙	⊙	⊙	⊙	⊙	⊙	⊙	⊙	⊙	⊙	⊙	⊙	⊙	⊙	G	G	G	G	G	G	G	G	G	G	G	G	G	G	G	G	G	Row J				
	G	G	G	G	G	G	G	G	G	G	G	G	G	G	G	G	G	G	G	G	⊙	⊙	⊙	⊙	⊙	⊙	⊙	⊙	⊙	⊙	⊙	⊙	⊙	⊙	⊙	⊙	⊙	Row K			
	⊙	⊙	⊙	⊙	⊙	⊙	⊙	⊙	⊙	⊙	⊙	⊙	⊙	⊙	⊙	⊙	⊙	⊙	⊙	G	G	G	G	G	G	G	G	G	G	G	G	G	G	G	G	G	Row L				
	G	G	G	G	G	G	G	G	G	G	G	G	G	G	G	G	G	G	G	G	⊙	⊙	⊙	⊙	⊙	⊙	⊙	⊙	⊙	⊙	⊙	⊙	⊙	⊙	⊙	⊙	⊙	Row M			
	⊙	⊙	⊙	⊙	⊙	⊙	⊙	⊙	⊙	⊙	⊙	⊙	⊙	⊙	⊙	⊙	⊙	⊙	⊙	G	G	G	G	G	G	G	G	G	G	G	G	G	G	G	G	G	Row N				
	G	G	G	G	G	G	G	G	G	G	G	G	G	G	G	G	G	G	G	G	⊙	⊙	⊙	⊙	⊙	⊙	⊙	⊙	⊙	⊙	⊙	⊙	⊙	⊙	⊙	⊙	⊙	Row P			
	⊙	⊙	⊙	⊙	⊙	⊙	⊙	⊙	⊙	⊙	⊙	⊙	⊙	⊙	⊙	⊙	⊙	⊙	⊙	G	G	G	G	G	G	G	G	G	G	G	G	G	G	G	G	G	Row R				
	G	G	G	G	G	G	G	G	G	G	G	G	G	G	G	G	G	G	G	G	⊙	⊙	⊙	⊙	⊙	⊙	⊙	⊙	⊙	⊙	⊙	⊙	⊙	⊙	⊙	⊙	⊙	Row T			
	⊙	⊙	⊙	⊙	⊙	⊙	⊙	⊙	⊙	⊙	⊙	⊙	⊙	⊙	⊙	⊙	⊙	⊙	⊙	G	G	G	G	G	G	G	G	G	G	G	G	G	G	G	G	G	Row U				
	G	G	G	G	G	G	G	G	G	G	G	G	G	G	G	G	G	G	G	G	⊙	⊙	⊙	⊙	⊙	⊙	⊙	⊙	⊙	⊙	⊙	⊙	⊙	⊙	⊙	⊙	⊙	Row V			
	⊙	⊙	⊙	⊙	⊙	⊙	⊙	⊙	⊙	⊙	⊙	⊙	⊙	⊙	⊙	⊙	⊙	⊙	⊙	G	G	G	G	G	G	G	G	G	G	G	G	G	G	G	G	G	Row W				
	G	G	G	G	G	G	G	G	G	G	G	G	G	G	G	G	G	G	G	G	⊙	⊙	⊙	⊙	⊙	⊙	⊙	⊙	⊙	⊙	⊙	⊙	⊙	⊙	⊙	⊙	⊙	Row Y			

Fig.3 IT2-380S-BGA(**) Pin assignments for SIDE-α

Pin connection	38	37	36	35	34	33	32	31	30	29	28	27	26	25	24	23	22	21	20	19	18	17	16	15	14	13	12	11	10	9	8	7	6	5	4	3	2	1	Contact No.	Row	Pin connection
	⊙	⊙	⊙	⊙	⊙	⊙	⊙	⊙	⊙	⊙	⊙	⊙	⊙	⊙	⊙	⊙	⊙	⊙	⊙	G	G	G	G	G	G	G	G	G	G	G	G	G	G	G	G	G	G	Row A			
	G	G	G	G	G	G	G	G	G	G	G	G	G	G	G	G	G	G	G	G	⊙	⊙	⊙	⊙	⊙	⊙	⊙	⊙	⊙	⊙	⊙	⊙	⊙	⊙	⊙	⊙	⊙	⊙	Row B		
	⊙	⊙	⊙	⊙	⊙	⊙	⊙	⊙	⊙	⊙	⊙	⊙	⊙	⊙	⊙	⊙	⊙	⊙	⊙	G	G	G	G	G	G	G	G	G	G	G	G	G	G	G	G	G	G	Row C			
	G	G	G	G	G	G	G	G	G	G	G	G	G	G	G	G	G	G	G	G	⊙	⊙	⊙	⊙	⊙	⊙	⊙	⊙	⊙	⊙	⊙	⊙	⊙	⊙	⊙	⊙	⊙	⊙	Row D		
	⊙	⊙	⊙	⊙	⊙	⊙	⊙	⊙	⊙	⊙	⊙	⊙	⊙	⊙	⊙	⊙	⊙	⊙	⊙	G	G	G	G	G	G	G	G	G	G	G	G	G	G	G	G	G	G	Row E			
	G	G	G	G	G	G	G	G	G	G	G	G	G	G	G	G	G	G	G	G	⊙	⊙	⊙	⊙	⊙	⊙	⊙	⊙	⊙	⊙	⊙	⊙	⊙	⊙	⊙	⊙	⊙	⊙	Row F		
	⊙	⊙	⊙	⊙	⊙	⊙	⊙	⊙	⊙	⊙	⊙	⊙	⊙	⊙	⊙	⊙	⊙	⊙	⊙	G	G	G	G	G	G	G	G	G	G	G	G	G	G	G	G	G	G	Row G			
	G	G	G	G	G	G	G	G	G	G	G	G	G	G	G	G	G	G	G	G	⊙	⊙	⊙	⊙	⊙	⊙	⊙	⊙	⊙	⊙	⊙	⊙	⊙	⊙	⊙	⊙	⊙	⊙	Row H		
	⊙	⊙	⊙	⊙	⊙	⊙	⊙	⊙	⊙	⊙	⊙	⊙	⊙	⊙	⊙	⊙	⊙	⊙	⊙	G	G	G	G	G	G	G	G	G	G	G	G	G	G	G	G	G	G	Row J			
	G	G	G	G	G	G	G	G	G	G	G	G	G	G	G	G	G	G	G	G	⊙	⊙	⊙	⊙	⊙	⊙	⊙	⊙	⊙	⊙	⊙	⊙	⊙	⊙	⊙	⊙	⊙	⊙	Row K		
	⊙	⊙	⊙	⊙	⊙	⊙	⊙	⊙	⊙	⊙	⊙	⊙	⊙	⊙	⊙	⊙	⊙	⊙	⊙	G	G	G	G	G	G	G	G	G	G	G	G	G	G	G	G	G	G	Row L			
	G	G	G	G	G	G	G	G	G	G	G	G	G	G	G	G	G	G	G	G	⊙	⊙	⊙	⊙	⊙	⊙	⊙	⊙	⊙	⊙	⊙	⊙	⊙	⊙	⊙	⊙	⊙	⊙	Row M		
	⊙	⊙	⊙	⊙	⊙	⊙	⊙	⊙	⊙	⊙	⊙	⊙	⊙	⊙	⊙	⊙	⊙	⊙	⊙	G	G	G	G	G	G	G	G	G	G	G	G	G	G	G	G	G	G	Row N			
	G	G	G	G	G	G	G	G	G	G	G	G	G	G	G	G	G	G	G	G	⊙	⊙	⊙	⊙	⊙	⊙	⊙	⊙	⊙	⊙	⊙	⊙	⊙	⊙	⊙	⊙	⊙	⊙	Row P		
	⊙	⊙	⊙	⊙	⊙	⊙	⊙	⊙	⊙	⊙	⊙	⊙	⊙	⊙	⊙	⊙	⊙	⊙	⊙	G	G	G	G	G	G	G	G	G	G	G	G	G	G	G	G	G	G	Row R			
	G	G	G	G	G	G	G	G	G	G	G	G	G	G	G	G	G	G	G	G	⊙	⊙	⊙	⊙	⊙	⊙	⊙	⊙	⊙	⊙	⊙	⊙	⊙	⊙	⊙	⊙	⊙	⊙	Row T		
	⊙	⊙	⊙	⊙	⊙	⊙	⊙	⊙	⊙	⊙	⊙	⊙	⊙	⊙	⊙	⊙	⊙	⊙	⊙	G	G	G	G	G	G	G	G	G	G	G	G	G	G	G	G	G	G	Row U			
	G	G	G	G	G	G	G	G	G	G	G	G	G	G	G	G	G	G	G	G	⊙	⊙	⊙	⊙	⊙	⊙	⊙	⊙	⊙	⊙	⊙	⊙	⊙	⊙	⊙	⊙	⊙	⊙	Row V		
	⊙	⊙	⊙	⊙	⊙	⊙	⊙	⊙	⊙	⊙	⊙	⊙	⊙	⊙	⊙	⊙	⊙	⊙	⊙	G	G	G	G	G	G	G	G	G	G	G	G	G	G	G	G	G	G	Row W			
	G	G	G	G	G	G	G	G	G	G	G	G	G	G	G	G	G	G	G	G	⊙	⊙	⊙	⊙	⊙	⊙	⊙	⊙	⊙	⊙	⊙	⊙	⊙	⊙	⊙	⊙	⊙	⊙	Row Y		

Fig.4 IT2-380S-BGA(**) Pin assignments for SIDE-β

CODE NO. (OLD) CL	DRAWN H. Saitou 07.01.19	DESIGNED H. Saitou 07.01.19	CHECKED S. Tomoda 07.01.24	APPROVED K. Hayama 07.01.25	RELEASED ..
SCALE FREE	DRAWING NO. EDC3-156711-02		PART NO. IT2-380PS-**H(00)		
UNITS mm	HRS HIROSE ELECTRIC CO., LTD		CODE NO. CL641		2

TO

Apr.1.2017 Copyright 2017 HIROSE ELECTRIC CO., LTD. All Rights Reserved.

COUNT	DESCRIPTION OF REVISIONS	BY	CHKD	DATE	COUNT	DESCRIPTION OF REVISIONS	BY	CHKD	DATE
△				..	△				..
△				..	△				..
△				..	△				..

Contact No.															Row	SIDE				
37	35	33	31	29	27	25	23	21	19	17	15	13	11	9	7	5	3	1	Row A	SIDE- α
37	35	33	31	29	27	25	23	21	19	17	15	13	11	9	7	5	3	1	Row W	SIDE- β
38	36	34	32	30	28	26	24	22	20	18	16	14	12	10	8	6	4	2	Row B	SIDE- α
38	36	34	32	30	28	26	24	22	20	18	16	14	12	10	8	6	4	2	Row Y	SIDE- β
37	35	33	31	29	27	25	23	21	19	17	15	13	11	9	7	5	3	1	Row C	SIDE- α
37	35	33	31	29	27	25	23	21	19	17	15	13	11	9	7	5	3	1	Row U	SIDE- β
38	36	34	32	30	28	26	24	22	20	18	16	14	12	10	8	6	4	2	Row D	SIDE- α
38	36	34	32	30	28	26	24	22	20	18	16	14	12	10	8	6	4	2	Row V	SIDE- β
37	35	33	31	29	27	25	23	21	19	17	15	13	11	9	7	5	3	1	Row E	SIDE- α
37	35	33	31	29	27	25	23	21	19	17	15	13	11	9	7	5	3	1	Row R	SIDE- β
38	36	34	32	30	28	26	24	22	20	18	16	14	12	10	8	6	4	2	Row F	SIDE- α
38	36	34	32	30	28	26	24	22	20	18	16	14	12	10	8	6	4	2	Row T	SIDE- β
37	35	33	31	29	27	25	23	21	19	17	15	13	11	9	7	5	3	1	Row G	SIDE- α
37	35	33	31	29	27	25	23	21	19	17	15	13	11	9	7	5	3	1	Row N	SIDE- β
38	36	34	32	30	28	26	24	22	20	18	16	14	12	10	8	6	4	2	Row H	SIDE- α
38	36	34	32	30	28	26	24	22	20	18	16	14	12	10	8	6	4	2	Row P	SIDE- β
37	35	33	31	29	27	25	23	21	19	17	15	13	11	9	7	5	3	1	Row J	SIDE- α
37	35	33	31	29	27	25	23	21	19	17	15	13	11	9	7	5	3	1	Row L	SIDE- β
38	36	34	32	30	28	26	24	22	20	18	16	14	12	10	8	6	4	2	Row K	SIDE- α
38	36	34	32	30	28	26	24	22	20	18	16	14	12	10	8	6	4	2	Row M	SIDE- β

Contact No.															Row	SIDE				
37	35	33	31	29	27	25	23	21	19	17	15	13	11	9	7	5	3	1	Row L	SIDE- α
37	35	33	31	29	27	25	23	21	19	17	15	13	11	9	7	5	3	1	Row J	SIDE- β
38	36	34	32	30	28	26	24	22	20	18	16	14	12	10	8	6	4	2	Row M	SIDE- α
38	36	34	32	30	28	26	24	22	20	18	16	14	12	10	8	6	4	2	Row K	SIDE- β
37	35	33	31	29	27	25	23	21	19	17	15	13	11	9	7	5	3	1	Row N	SIDE- α
37	35	33	31	29	27	25	23	21	19	17	15	13	11	9	7	5	3	1	Row G	SIDE- β
38	36	34	32	30	28	26	24	22	20	18	16	14	12	10	8	6	4	2	Row P	SIDE- α
38	36	34	32	30	28	26	24	22	20	18	16	14	12	10	8	6	4	2	Row H	SIDE- β
37	35	33	31	29	27	25	23	21	19	17	15	13	11	9	7	5	3	1	Row R	SIDE- α
37	35	33	31	29	27	25	23	21	19	17	15	13	11	9	7	5	3	1	Row E	SIDE- β
38	36	34	32	30	28	26	24	22	20	18	16	14	12	10	8	6	4	2	Row T	SIDE- α
38	36	34	32	30	28	26	24	22	20	18	16	14	12	10	8	6	4	2	Row F	SIDE- β
37	35	33	31	29	27	25	23	21	19	17	15	13	11	9	7	5	3	1	Row U	SIDE- α
37	35	33	31	29	27	25	23	21	19	17	15	13	11	9	7	5	3	1	Row C	SIDE- β
38	36	34	32	30	28	26	24	22	20	18	16	14	12	10	8	6	4	2	Row V	SIDE- α
38	36	34	32	30	28	26	24	22	20	18	16	14	12	10	8	6	4	2	Row D	SIDE- β
37	35	33	31	29	27	25	23	21	19	17	15	13	11	9	7	5	3	1	Row W	SIDE- α
37	35	33	31	29	27	25	23	21	19	17	15	13	11	9	7	5	3	1	Row A	SIDE- β
38	36	34	32	30	28	26	24	22	20	18	16	14	12	10	8	6	4	2	Row Y	SIDE- α
38	36	34	32	30	28	26	24	22	20	18	16	14	12	10	8	6	4	2	Row B	SIDE- β

Table.1 Pin connections for SIDE- α and SIDE- β

TO

CODE NO. (OLD) CL	DRAWN H.Saitou 07.01.19	DESIGNED H.Saitou 07.01.19	CHECKED <i>J. Tomikida</i> 07.01.24	APPROVED <i>K. Hayano</i> 07.01.25	RELEASED ..
SCALE FREE	DRAWING NO. EDC3-156711-02		PART NO. IT2-380PS-**H(00)		
UNITS mm	HRS HIROSE ELECTRIC CO., LTD		CODE NO. CL641		3