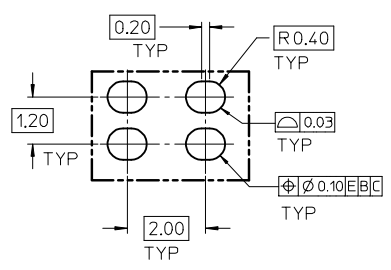
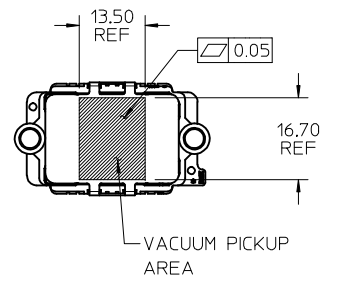


NOTES:

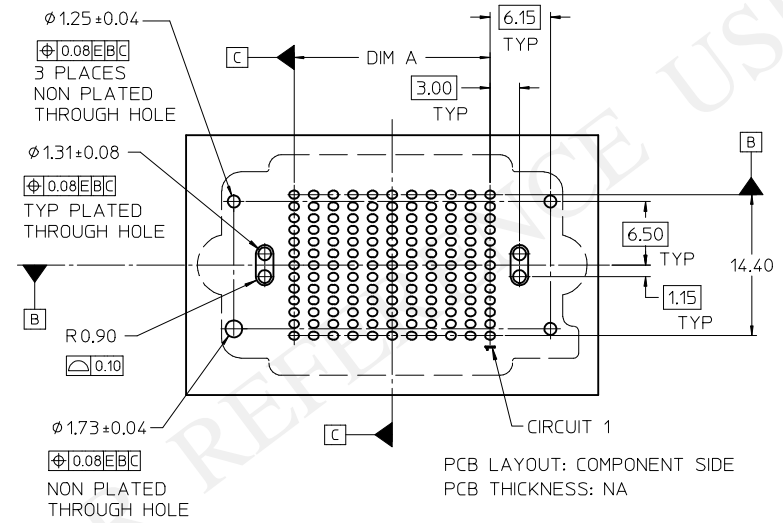
- HOUSING MATERIAL: LIQUID CRYSTAL POLYMER, GLASS FILLED, UL 94V-0, BLACK
CONTACT MATERIAL: HIGH PERFORMANCE COPPER ALLOY
SOLDER NAIL MATL: STAINLESS STEEL
SOLDER CHARGE MATL: 63% TIN, 37% LEAD
- FINISH:
CONTACT AREA: 0.76 MICROMETER (30 MICROINCH) MINIMUM GOLD
TAIL AREA: 2.54 MICROMETER (100 MICROINCH) MINIMUM 90/10 TIN-LEAD
ENTIRE TERMINAL: NICKEL UNDERPLATE
- PRODUCT SPEC: PS-45802-001
- COSMETIC SPEC: PS-45499-002 CLASS B
- PACKAGING SPEC: PK-45802-001 MOLEX STANDARD TRAYS
- DATUM -D- IS THE CENTERLINE OF THE 2 END SLOTS. END SLOT CENTERLINES ARE ESTABLISHED USING 2 MEASUREMENTS FOR EACH SLOT TAKEN 7.20 EITHER SIDE OF DATUM -B-.
- THERE ARE 13 CIRCUITS PER ROW

| | | | | | | | | | | |
|--|---|---------------------------------------|---|----------------------------|--|--------------------|--|------------------------|---------------------|--|
| INITIAL RELEASE EC NO: UCP2016-2554 DRWN: TIBARRA 2015/12/21 CHKD: BBARKER 2015/12/21 APPR: TIBARRA 2016/01/27 | QUALITY SYMBOLS $\nabla F/0$ $\nabla E/0$ $\nabla D/0$ | GENERAL TOLERANCES (UNLESS SPECIFIED) | | DIMENSION STYLE MM ONLY | | SCALE 2:1 | DESIGN UNITS METRIC | THIRD ANGLE PROJECTION | | |
| | | | mm | INCH | DRAWN BY TIBARRA | DATE 2015/12/21 | TITLE HIGH DENSITY MEZZANINE RECEPTACLE ASSEMBLY TIN-LEAD TAILS, CHARGES | | | |
| | | 4 PLACES | \pm --- | \pm --- | CHECKED BY BBARKER | DATE 2015/12/21 | | | | |
| | | 3 PLACES | \pm 0.050 | \pm --- | APPROVED BY TIBARRA | DATE 2016/01/27 | DOCUMENT NO. RSD-45802-0001 | | SHEET NO. 1 OF 2 | |
| 2 PLACES | \pm 0.15 | \pm --- | MATERIAL NO. SEE TABLE | | THIS DRAWING CONTAINS INFORMATION THAT IS PROPRIETARY TO MOLEX INCORPORATED AND SHOULD NOT BE USED WITHOUT WRITTEN PERMISSION | | | | | |
| 1 PLACE | \pm 0.3 | \pm --- | DRAFT WHERE APPLICABLE MUST REMAIN WITHIN DIMENSIONS | | | | | | | |
| 0 PLACE | \pm | \pm | ANGULAR $\pm 1/2^\circ$ | | | | | | | |

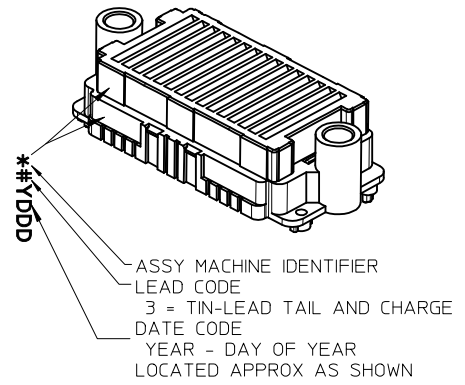
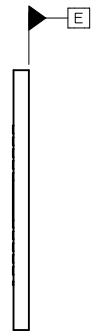
| | | | 10 | 9 | 8 | 7 | 6 | 5 | 4 | 3 | 2 | 1 |
|----|---------------|-------|-------|-------------|-------------|-------------|-------------|-------------|-------------|-------------|-------------|-------------|
| F | STACK HEIGHT: | | 8 mm | 9 mm | 10 mm | 11 mm | 12 mm | 13 mm | 14 mm | 15 mm | 17 mm | 18 mm |
| | DIM B: | | 10,51 | 11,51 | 12,51 | 13,51 | 14,51 | 15,51 | 16,51 | 17,51 | 19,51 | 20,51 |
| | DIM C: | | 8,90 | 9,90 | 10,90 | 11,90 | 12,90 | 13,90 | 14,90 | 15,90 | 17,90 | 18,90 |
| E | ROWS | DIM A | DIM D | MATERIAL No | MATERIAL No | MATERIAL No | MATERIAL No | MATERIAL No | MATERIAL No | MATERIAL No | MATERIAL No | MATERIAL No |
| | 07 | 12.00 | 31.89 | | | | | | | | | |
| | 09 | 16.00 | 35.89 | | | | | | | | | |
| | 11 | 20.00 | 39.89 | 45802-0111 | | | | | | | | |
| | 13 | 24.00 | 43.89 | | | | | | | | | |
| | 15 | 28.00 | 47.89 | | | | | | | | | |
| | 17 | 32.00 | 51.89 | | | | | | | | | |
| | 19 | 36.00 | 55.89 | | | | | | | | | |
| | 21 | 40.00 | 59.89 | | | | | | | | | |
| | 23 | 44.00 | 63.89 | | | | | | | | | |
| 25 | 48.00 | 67.89 | | | | | | | | | | |
| 27 | 52.00 | 71.89 | | | | | | | | | | |



SOLDER PAD DETAIL
SCALE 8:1



PCB LAYOUT: COMPONENT SIDE
PCB THICKNESS: NA



| | | | | | | | | | |
|---|--------------------------------------|--|-----------|----------------------------|------------------------|---|--|--------------------------------|---------------------|
| SEE SHEET 1 EC NO: UCP2016-2554 DRAWN: TIBARRA 2015/12/21 CHKD: BBARKER 2015/12/21 APPR: TIBARRA 2016/01/27 | QUALITY SYMBOLS ▽/0 ▽/0 ▽/0 | GENERAL TOLERANCES (UNLESS SPECIFIED) | | DIMENSION STYLE MM ONLY | | SCALE 2:1 | DESIGN UNITS METRIC | THIRD ANGLE PROJECTION | |
| | | 4 PLACES | ± --- | ± --- | DRAWN BY TIBARRA | DATE 2015/12/21 | TITLE HIGH DENSITY MEZZANINE RECEPTACLE ASSEMBLY TIN-LEAD TAILS, CHARGES molex | DOCUMENT NO. RSD-45802-0001 | SHEET NO. 2 OF 2 |
| | | 3 PLACES | ± 0.050 | ± --- | CHECKED BY BBARKER | DATE 2015/12/21 | | | |
| | | 2 PLACES | ± 0.15 | ± --- | APPROVED BY TIBARRA | DATE 2016/01/27 | | | |
| | | 1 PLACE | ± 0.3 | ± --- | MATERIAL NO. | | | | |
| 0 PLACE | ± | ± | SEE TABLE | | | | | | |
| ANGULAR ± 1/2° | | DRAFT WHERE APPLICABLE MUST REMAIN WITHIN DIMENSIONS | | SIZE B | | THIS DRAWING CONTAINS INFORMATION THAT IS PROPRIETARY TO MOLEX INCORPORATED AND SHOULD NOT BE USED WITHOUT WRITTEN PERMISSION | | | |