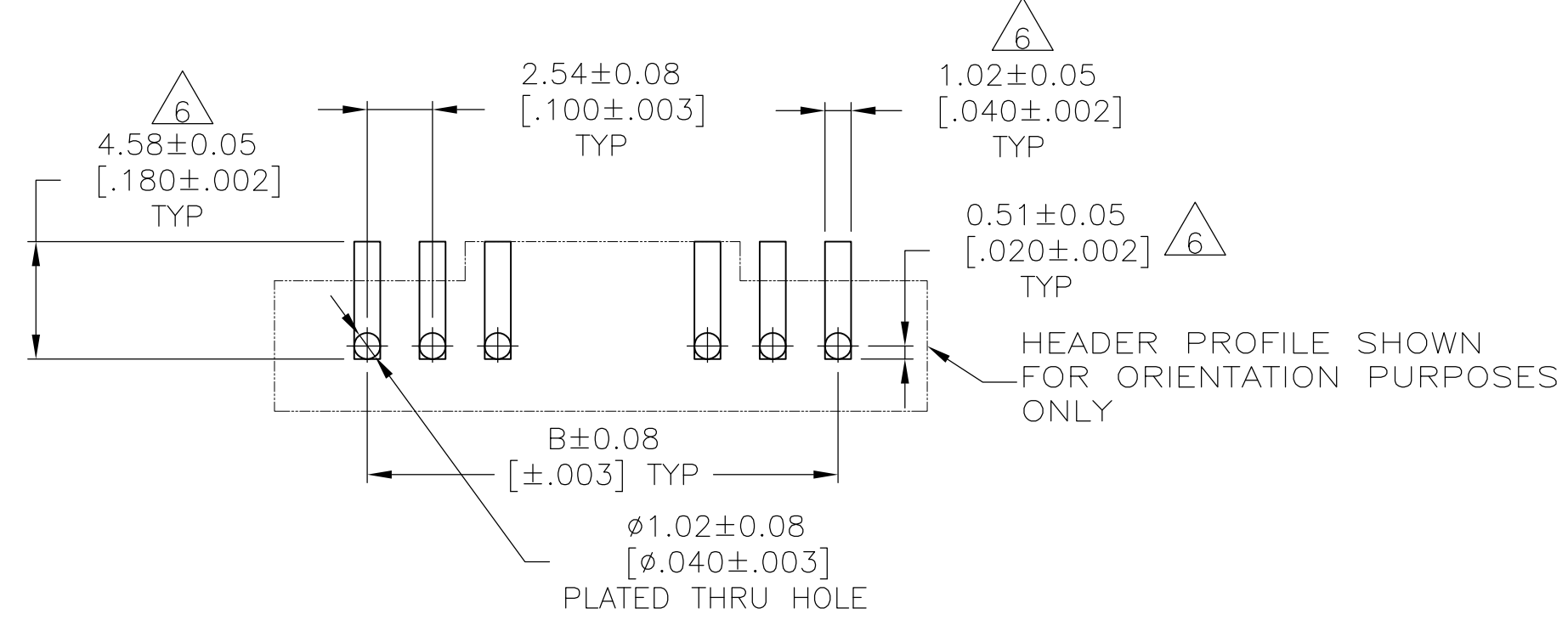
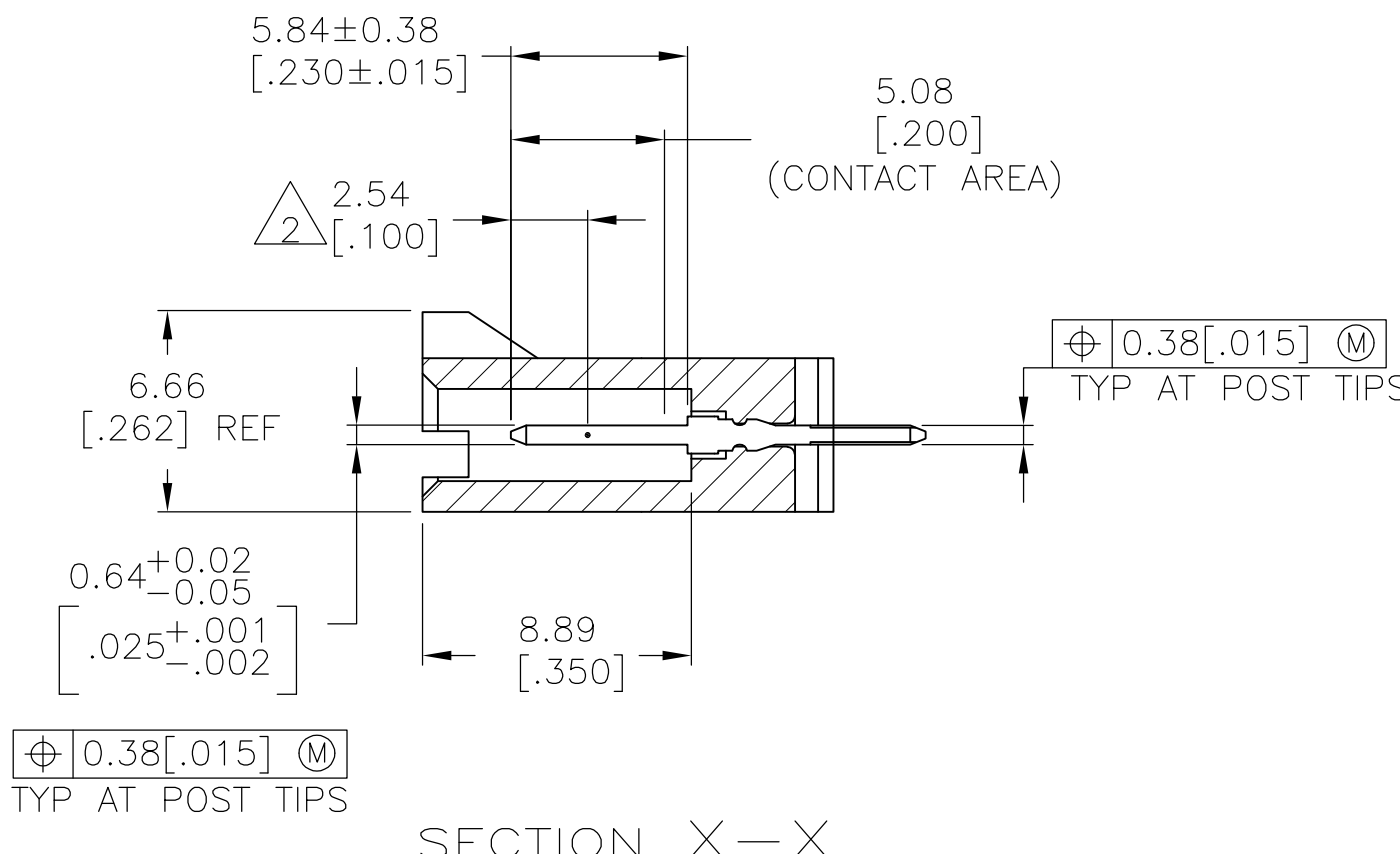
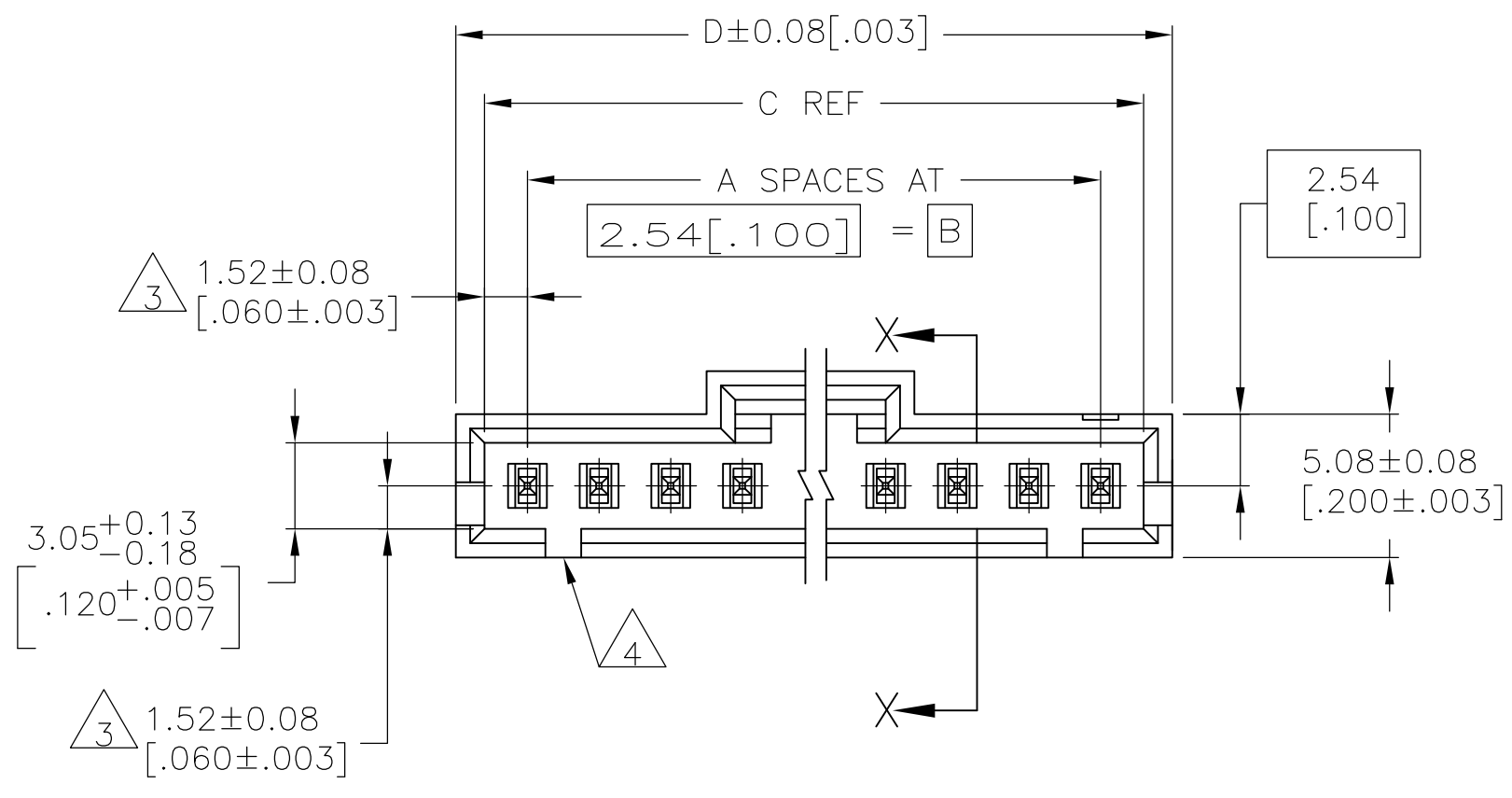
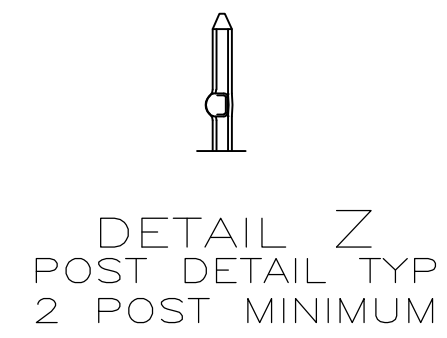
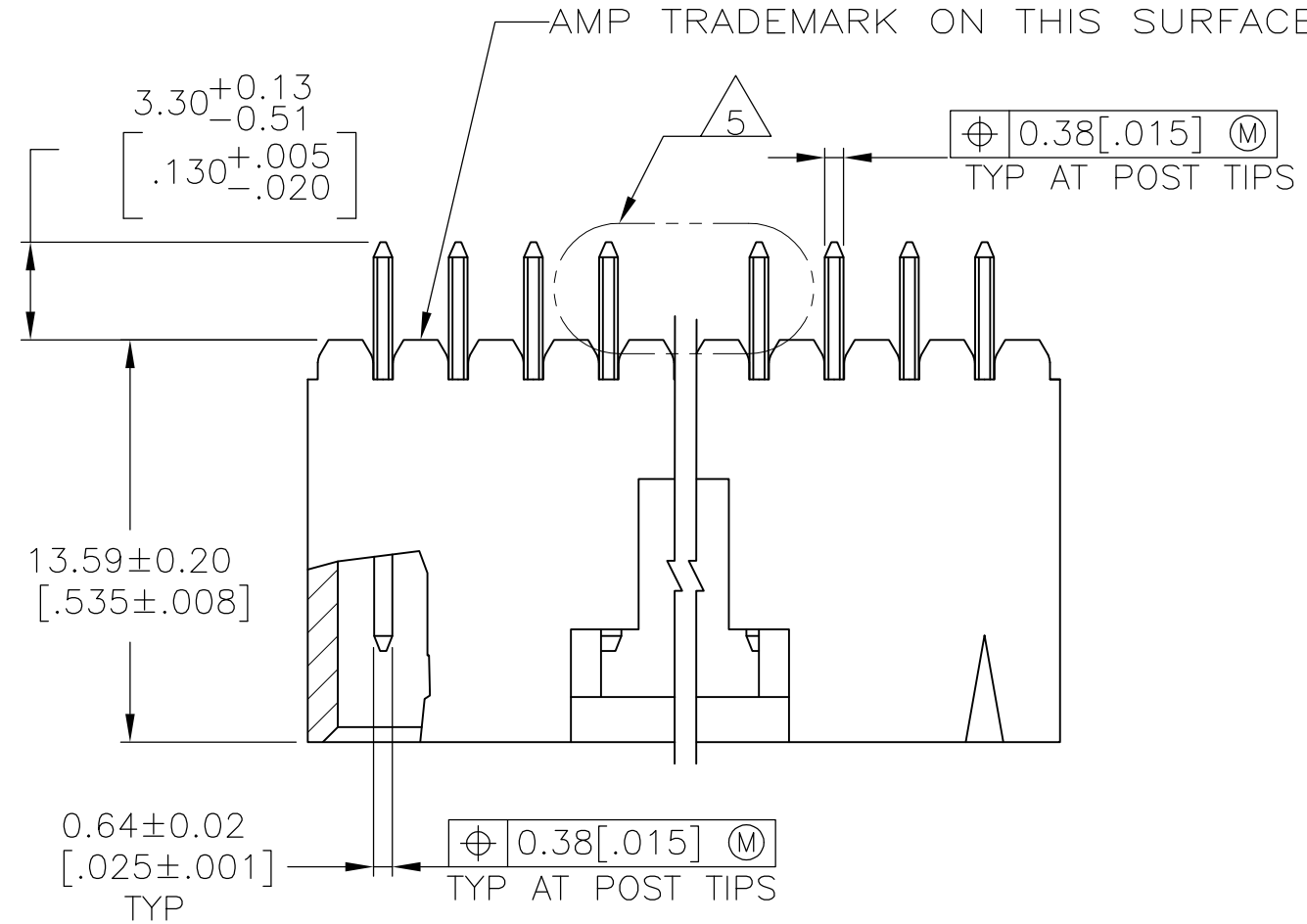


LOC		DIST		REVISIONS			
AD	00	F	LTR	DESCRIPTION	DATE	DWN	APVD
		F	EC	0G3C 0789 04	4FEB05	BSV	JLG
		F1		REVISED PER ECO-09-020689	02SEP09	KK	AEG



RECOMMENDED PC BOARD MOUNTING DIMENSIONS  
 RECOMMENDED STENCIL THICKNESS = 0.25[.010]

- 1 0.00038[.000015] GOLD IN THE CONTACT AREA, 0.00254-0.00508[.000100-.000200] MATTE TIN-LEAD ON THE SOLDER TAIL, ALL OVER 0.00127[.000050] NICKEL
- 2 POINT OF MEASUREMENT FOR PLATING THICKNESS
- 3 THE NOTED DIMENSIONS APPLY FROM THE BASIC DIMENSION LINE (NOT THE POST CENTERLINE) TO THE SURFACE INDICATED
- 4 ONE POLARIZATION SLOT FOR 2 POSITION ASSEMBLY ONLY.
- 5 HOLD DOWN UNTIL SOLDERED, CONFIGURATION ACCEPTS 0.69-2.03[.027-.080] THICK PRINTED CIRCUIT BOARD (SEE DETAIL Z)
- 6 DIMENSIONS NOTED ARE FOR SOLDER STENCIL LAYOUT FOR USE WITH 1.57±0.20[.062±.008] THICK PRINTED CIRCUIT BOARDS.
- 7 PARTS ARE PACKAGED IN GANG OF TUBES
- 8 0.00038[.000015] GOLD IN THE CONTACT AREA, 0.00254-0.00508[.000100-.000200] MATTE TIN ON THE SOLDER TAIL, ALL OVER 0.00127[.000050] NICKEL
- 9 OBSOLETE PARTS: OBSOLETE CIS STREAMLINING PER D.RENAUD/D.SINISI

REV	DATE	DESCRIPTION	BY	CHKD	APPD	REV	DATE	DESCRIPTION	BY	CHKD	APPD		
8	66.04	64.01	60.96	24	25	7-104909-4							
8	63.50	61.47	58.42	23	24	7-104909-3							
8	60.96	58.93	55.88	22	23	7-104909-2							
8	58.42	56.39	53.34	21	22	7-104909-1							
8	55.88	53.85	50.80	20	21	7-104909-0							
8	53.34	51.31	48.26	19	20	6-104909-9							
8	50.80	48.77	45.72	18	19	6-104909-8							
8	48.26	46.23	43.18	17	18	6-104909-7							
8	45.72	43.69	40.64	16	17	6-104909-6							
8	43.18	41.15	38.1	15	16	6-104909-5							
8	40.64	38.61	35.56	14	15	6-104909-4							
8	38.1	36.07	33.02	13	14	6-104909-3							
8	35.56	33.53	30.48	12	13	6-104909-2							
9	66.04	64.01	60.96	24	25	2-104909-4	SUPERCEDED	1					
9	63.50	61.47	58.42	23	24	2-104909-3	OBSOLETE	1					
9	60.96	58.93	55.88	22	23	2-104909-2		1					
9	58.42	56.39	53.34	21	22	2-104909-1		1					
9	55.88	53.85	50.80	20	21	2-104909-0	SUPERCEDED	1					
9	53.34	51.31	48.26	19	20	1-104909-9		1					
9	50.80	48.77	45.72	18	19	1-104909-8		1					
9	48.26	46.23	43.18	17	18	1-104909-7		1					
9	45.72	43.69	40.64	16	17	1-104909-6	SUPERCEDED	1					
9	43.18	41.15	38.1	15	16	1-104909-5		1					
9	40.64	38.61	35.56	14	15	1-104909-4		1					
9	38.1	36.07	33.02	13	14	1-104909-3	SUPERCEDED	1					
9	35.56	33.53	30.48	12	13	1-104909-2		1					
							PLATING	D	C	B	A	NO OF POSN	PART NUMBER

THIS DRAWING IS A CONTROLLED DOCUMENT. BRANDBERG 13-10-94 Tyco Electronics Tyco Electronics Corporation Harrisburg, Pa 17105-3608

APVD: J. GEFORD 13-10-94 NAME: HEAD ASSY, AMPMODU MTE, VERTICAL SINGLE ROW, 2.54[.100] C/L, 0.64[.025] SQ POSTS, POLARIZED, WITH LATCHING & HOLD DOWN, HIGH TEMP

PRODUCT SPEC: D DUPLER

APPLICATION SPEC: SIZE: A1 00779 C=104909

MATERIAL: HIGH TEMPERATURE THERMOPLASTIC FINISH: SEE TABLE WEIGHT: RESTRICTED TO

CUSTOMER DRAWING SCALE: 4:1 SHEET 1 OF 1 REV F1