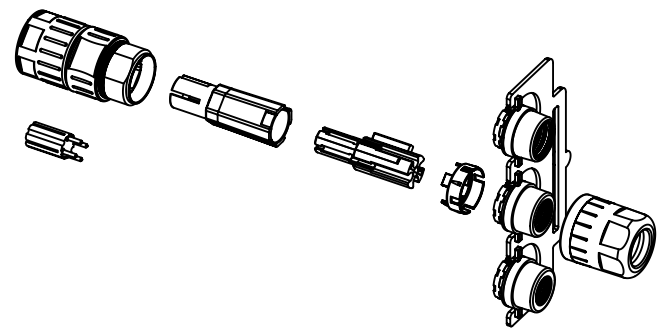


assembly aid enclosed

order contacts separately



5,7-8,8mm		AWG 22-18		09 67 000 3476	
		AWG 24-20		09 67 000 8476	
		AWG 26-22		09 67 000 5476	
cable Ø		wire gauge		part number	
All Dimensions in mm Original Size DIN A4		Scale 1:1		Free size tol.	
				Ref.	
				Sub.	
All rights reserved Department EC PD - DE		Created by HASSE	Inspected by FRIESENH	Standardisation HOFFMANN	Date 2015-05-22
					State Final Release
HARTING Electronics GmbH D-32339 Espelkamp		Title M12 crimp Slim Design 4-pole D-coded female			Doc-Key / ECM-Nr. 100579700/UGD/000/A 500000088640
		Type TB	Number 21038812405		Rev. A
					Page 1/1