

# SPECIFICATIONS

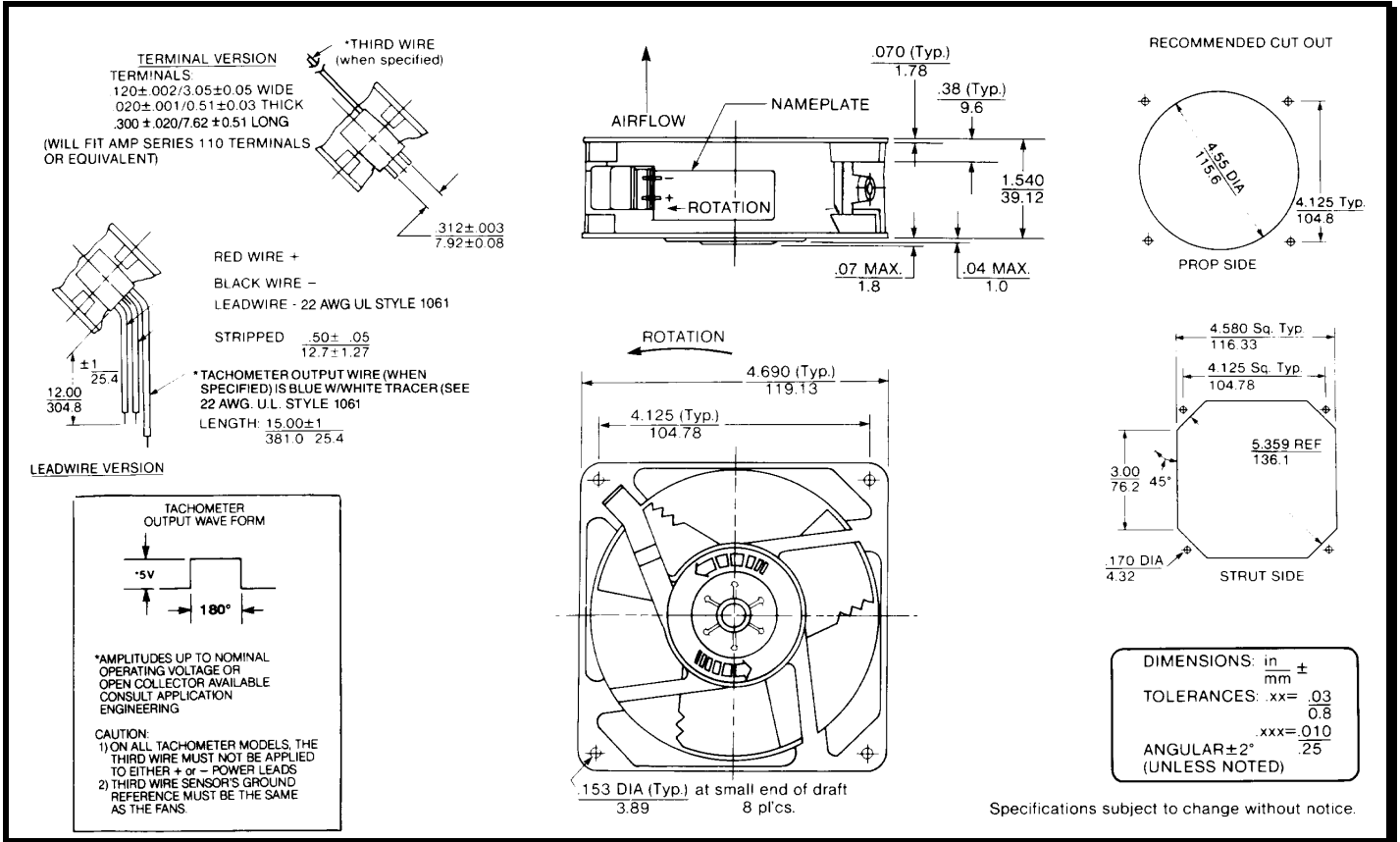
(RoHS Compliant)



**Model Number:** MD24B5

**Part Number:** 19028886A **Drawing Number:** 26021750A00 **Jan.01.2013**

## Mechanical Drawing:



### Motor:

Nominal Voltage	= 24 vdc
Operating Voltage Range	= 12 - 28 vdc
Running Current	= 0.250 amps
Locked Rotor Current	= 0.750 amps
Running Power	= 6.0 watts
Average Speed	= 3100 rpm
Bearings	= Ball
Air Flow	= 110 CFM
Acoustic	= 50.0 dBA

### Construction:

Venturi: Die-Cast Zinc Alloy, Black  
 Propeller: Plastic, Black, UL 94V-0

### Life Expectancy:

This fan is designed for continuous duty life of 83,000 hours at 40°C.

### Agency Approved:

UL, CE

### Additional Features:

Brushless DC Motor  
 Electronic Locked Rotor Protected  
 Polarity Protected  
 Automatic Restart Capability  
 Operating Temperature: -10°C to 70°C  
 Storage Temperature: -40°C to 85°C

### Tachometer Output:

Isolated: No  
 Output: 5 V TTL Compatible  
 I<sub>c</sub>: 5 mA Typical  
 Pulse per Revolution: 1

### Termination:

12" Lead wires, 22 AWG, UL 1061  
 Red - Fan Power (+)  
 Black - Fan Ground (-)  
 Blue/White - Tachometer (Output)