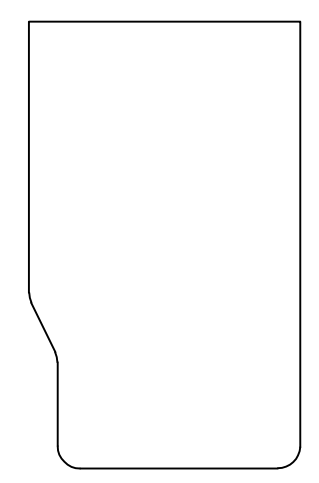
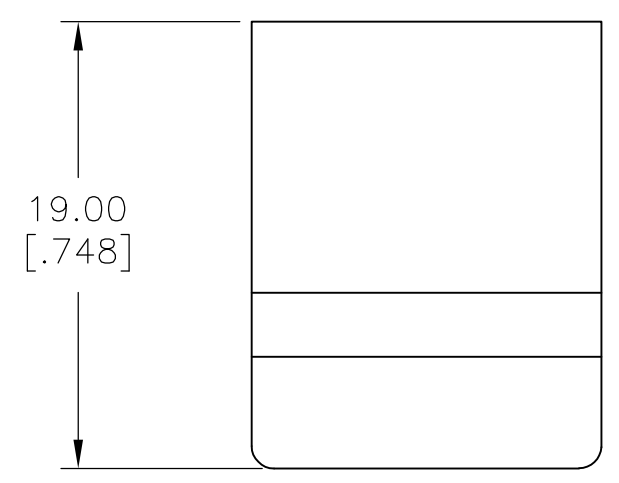
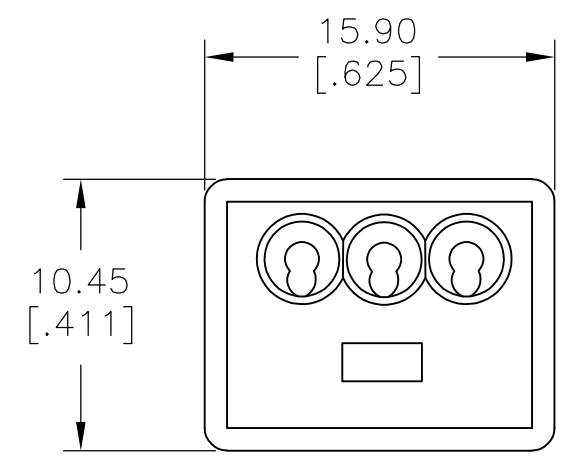


THIS DRAWING IS UNPUBLISHED. RELEASED FOR PUBLICATION  
 © COPYRIGHT - By - ALL RIGHTS RESERVED.

LOC		DIST		REVISIONS			
P	LTR	DESCRIPTION		DATE	DWN	APVD	
	A	NEW DRAWING		03OCT2015	NK	RH	



- HOUSING MATERIAL : POLYCARBONATE (PC), FLAME-RETARDANT TO UL 94-V0
- VOLTAGE : 600V(UL), 450V(IEC)
- CURRENT : 24A(IEC)
- WORKING TEMPERATURE : T110(IEC), 105°C(UL)
- WIRE RANGE : 22-12 AWG, SOL/STR Cu(UL), 0.5-2.5mm<sup>2</sup>(VDE)
- STRIPPING LENGTH : 11.0[.43]

2299515-1 AS SHOWN

THIS DRAWING IS A CONTROLLED DOCUMENT.		DWN	03OCT2015	<b>STE</b> TE Connectivity			
		CHK	03OCT2015				
DIMENSIONS: mm [INCHES]		TOLERANCES UNLESS OTHERWISE SPECIFIED:		NAME			
		0 PLC ± -		HILL, RYAN			
		1 PLC ± 0.2[.008]		03OCT2015			
		2 PLC ± 0.40[.016]		HILL, RYAN			
		3 PLC ± -		NAME			
4 PLC ± -		APVD		PRODUCT SPEC			
ANGLES ± -		HILL, RYAN		APPLICATION SPEC			
MATERIAL		FINISH		SIZE	CAGE CODE	DRAWING NO	RESTRICTED TO
-		-		-	A3	00779	C-2299515
CUSTOMER DRAWING				SCALE	SHEET	REV	
				1:1	1 OF 1	A	