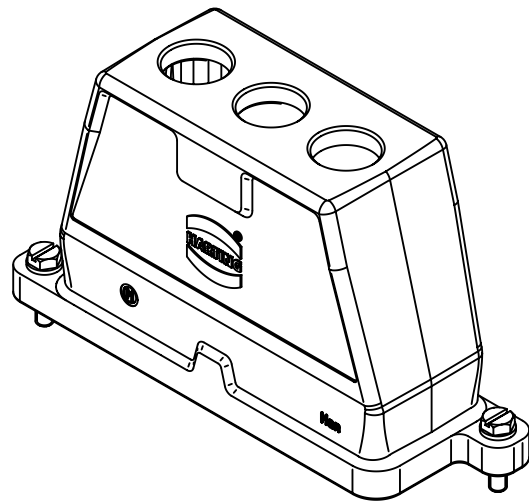
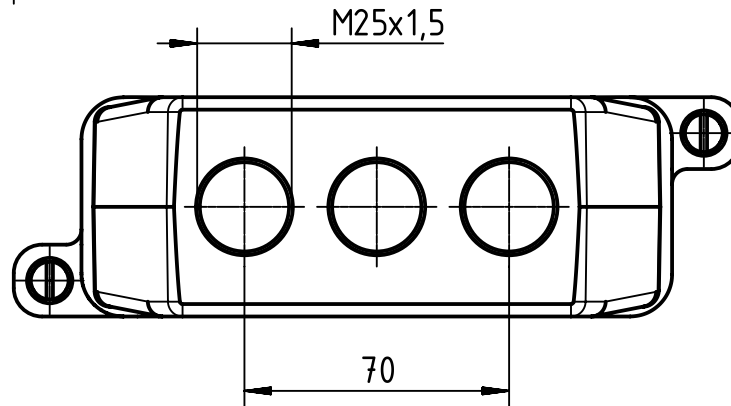
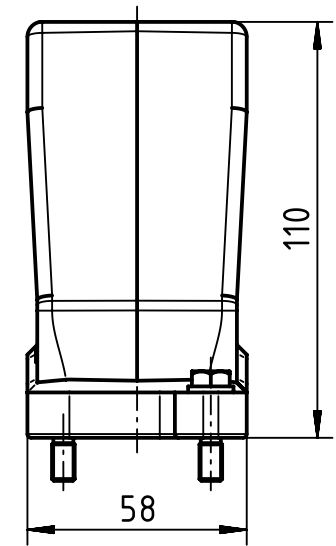
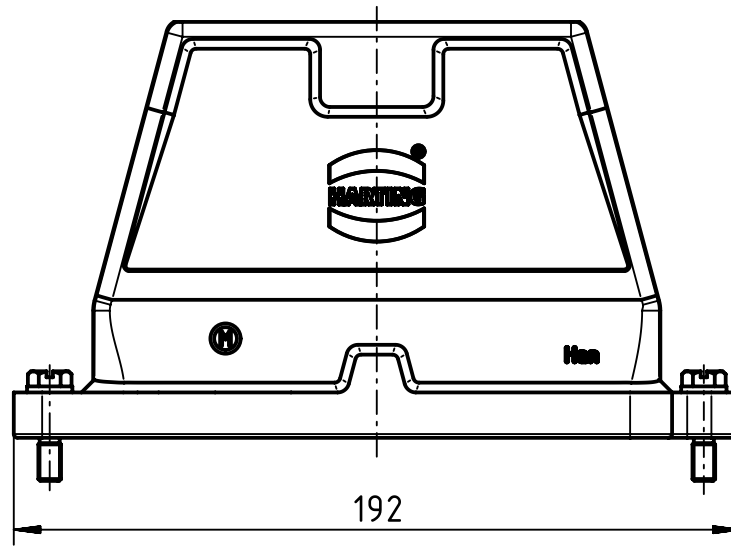
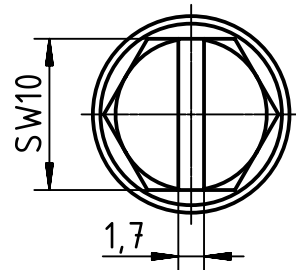


X (2:1)



	All Dimensions in mm Original Size DIN A4	Scale 1:2			Free size tol.		Ref.	
							Sub. TB 19 40 024 0461 v. 10.01.11	
	All rights reserved Department EL PD - DE	Created by	Inspected by	Standardisation	Date	State		
		FINKEV	SCHNIEDER	TIEMANNA	2014-09-11	Final Release		
HARTING Electric GmbH & Co. KG D-32339 Espelkamp		Title				Doc-Key / ECM-Nr.		
		Han 24HPR Hood TE 3xM25 Screw Lock				100201955/UGD/004/A 500000078763		
		Type	Number		Rev.	Page		
		TB	19 40 024 0461		A	1/1		