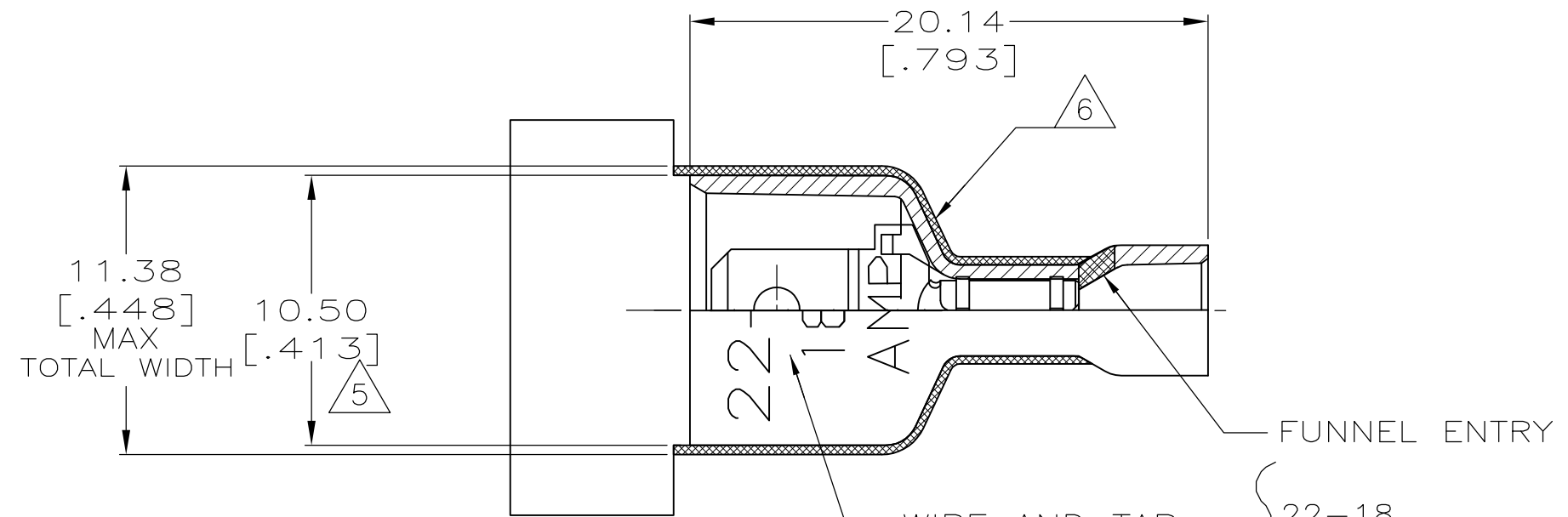
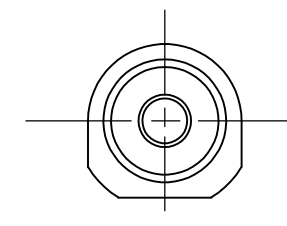
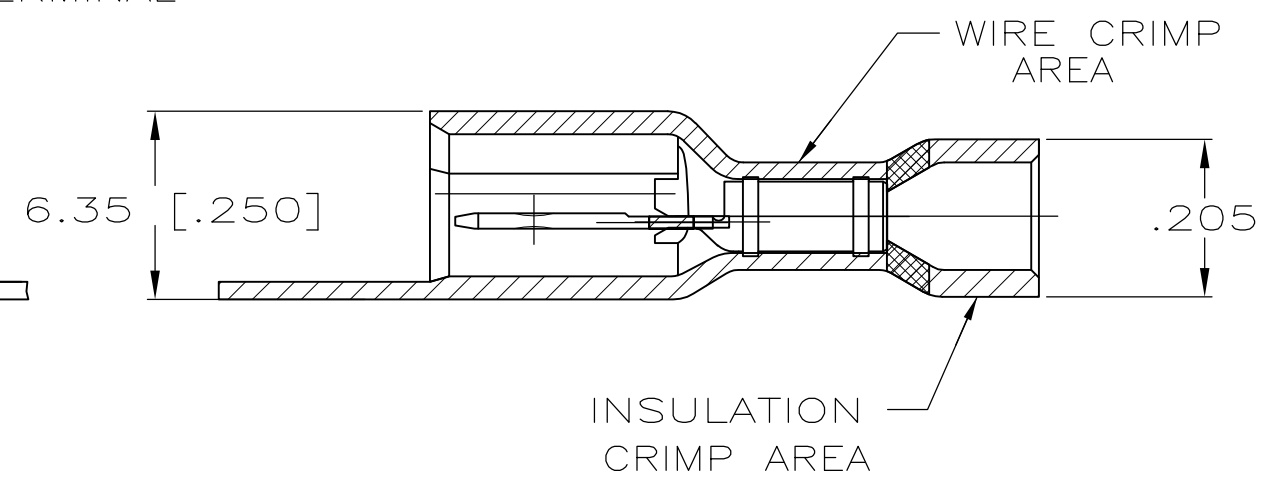
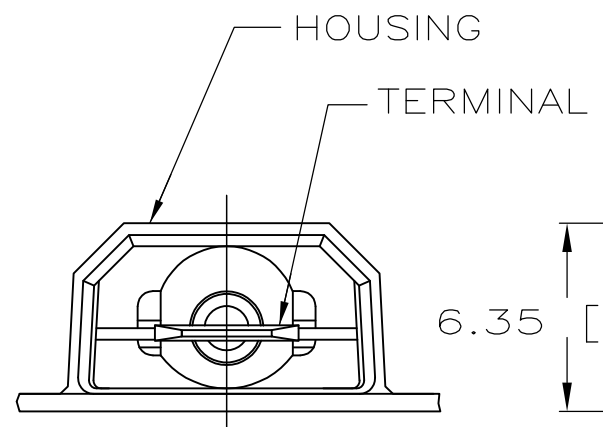


THIS DRAWING IS UNPUBLISHED. RELEASED FOR PUBLICATION
 © COPYRIGHT - By - ALL RIGHTS RESERVED.

| LOC | DIST | REVISIONS | | | |
|-----|------|-------------|---------------------------|---------|-------|
| P | LTR | DESCRIPTION | DATE | DWN | APVD |
| AF | 50 | D | REVISED PER ECR-12-005303 | 24JUL12 | KH KR |



- 1 TAB DIMENSIONS 0.51±0.025 X 4.75 [.020±.001 X .187]
- 2 WIRE STRIP LENGTH 7.14 [.281]
- 3 INSULATION SIZE IS 1.52-3.43 [.060-.135] DIA.
- 4 CONTINUOUS STRIP ON REELS
- △5 DIMENSION DOES NOT INCLUDE TRIM BURR
- △6 0.38 [.015] MAX CARRIER TRIM BURR PER SIDE IS ALLOWABLE IN THE SHADED AREA



| | |
|---------------------------------------|-------------|
| HOUSING: NYLON, COLOR-RED TRANSLUCENT | 2-521360-2 |
| TAB: #3 HARD BRASS, TIN | |
| MATERIAL & FINISH | PART NUMBER |

| | | | | | | | | | | | | | |
|---|-----------|--------------|-----------|------------------|---------------------|--|-----|-----------|--------|------------|----------|---------------|---|
| THIS DRAWING IS A CONTROLLED DOCUMENT. | | DWN | JR RUTH | 02NOV00 | TE Connectivity | NAME TAB ASSEMBLY, ULTRA-FAST, PLUS, 4.75 [.187] SERIES, 22-18 AWG | | | | | | | |
| DIMENSIONS: mm [INCHES] | | CHK | MS FEHER | 02NOV00 | | | | | | | | | |
| TOLERANCES UNLESS OTHERWISE SPECIFIED: | | APVD | J HUMMEL | 02NOV00 | | | | | | | | | |
| 0 PLC ± - 1 PLC ± - 2 PLC ± 0.38 [.015] 3 PLC ± - 4 PLC ± - ANGLES ± - | | PRODUCT SPEC | 108-2017 | | | | | | | | | | |
| MATERIAL | SEE TABLE | FINISH | SEE TABLE | APPLICATION SPEC | 114-2123 | SIZE | A3 | CAGE CODE | 00779 | DRAWING NO | C-521360 | RESTRICTED TO | - |
| CUSTOMER DRAWING | | | | | | SCALE | 4:1 | SHEET | 1 OF 1 | REV | D | | |