

PART NAME

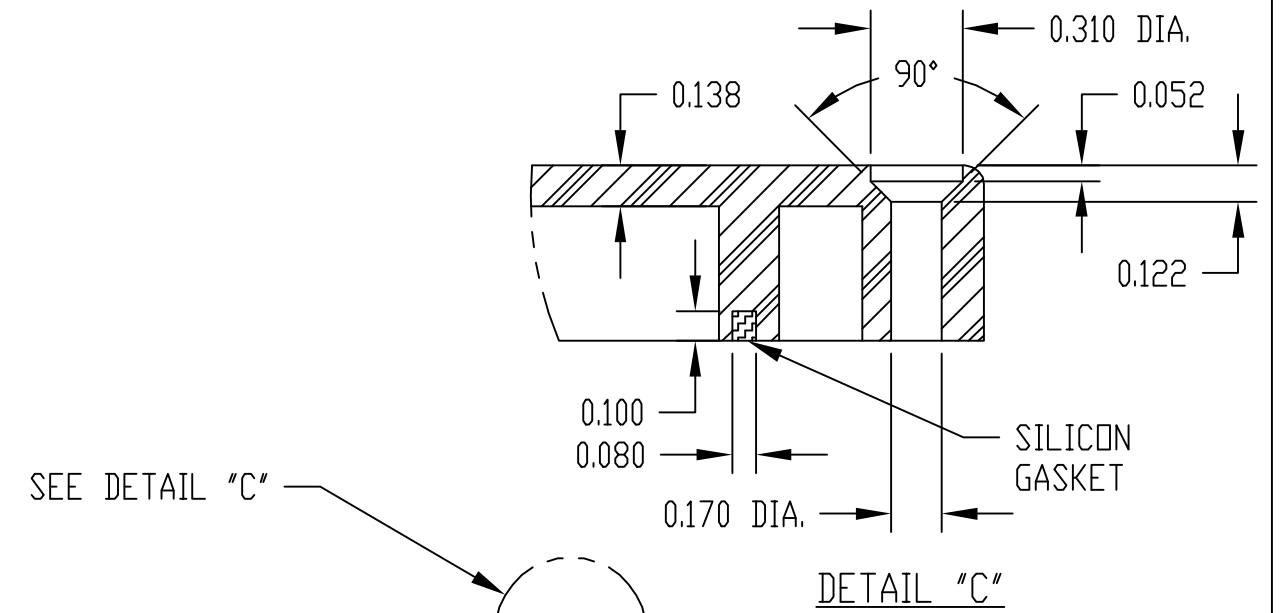
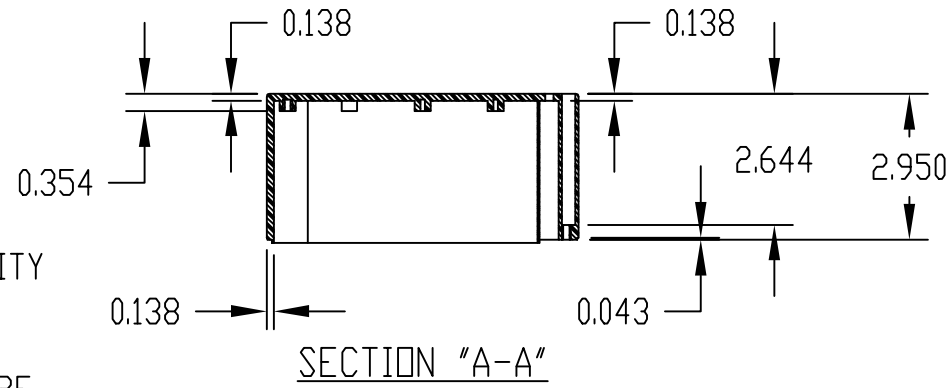
TRANSPARENT BLUE NEMA ENCLOSURE

PART No.

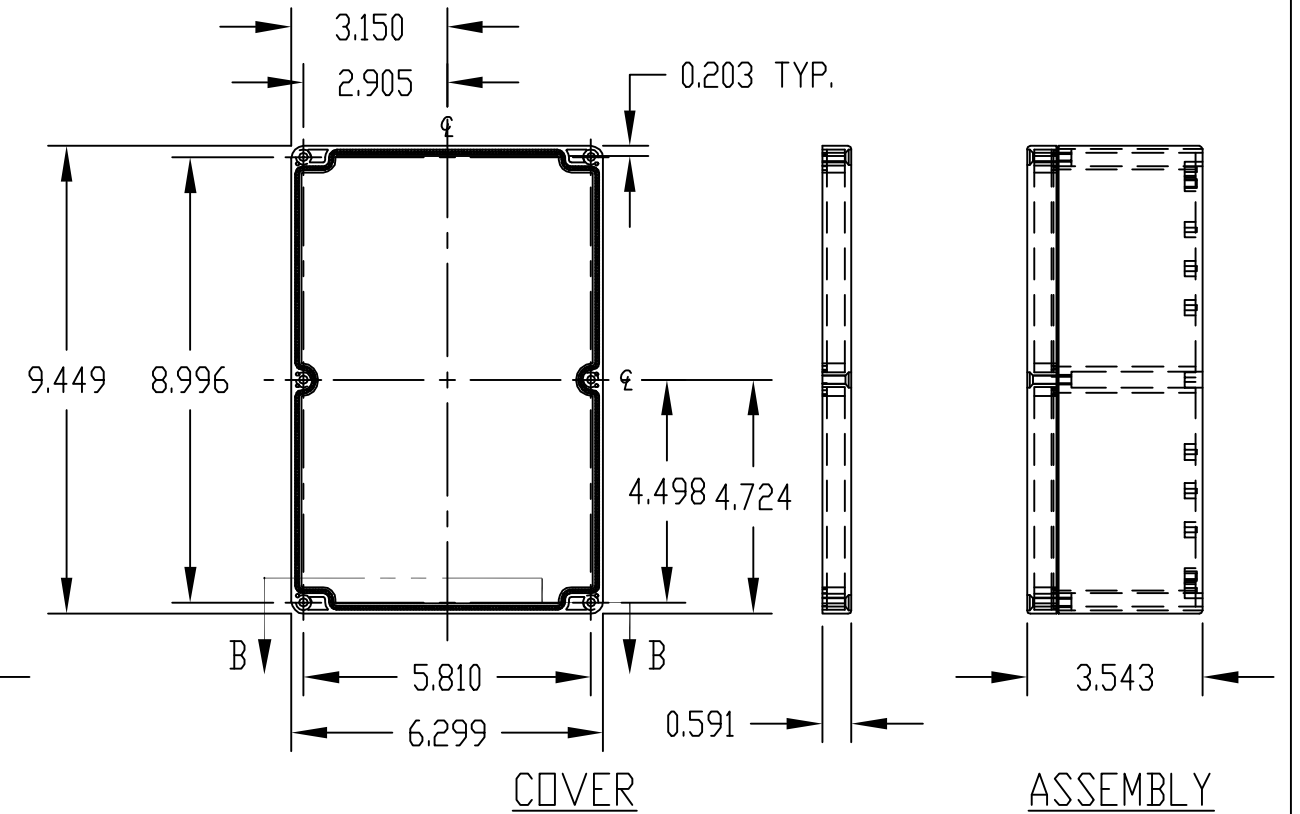
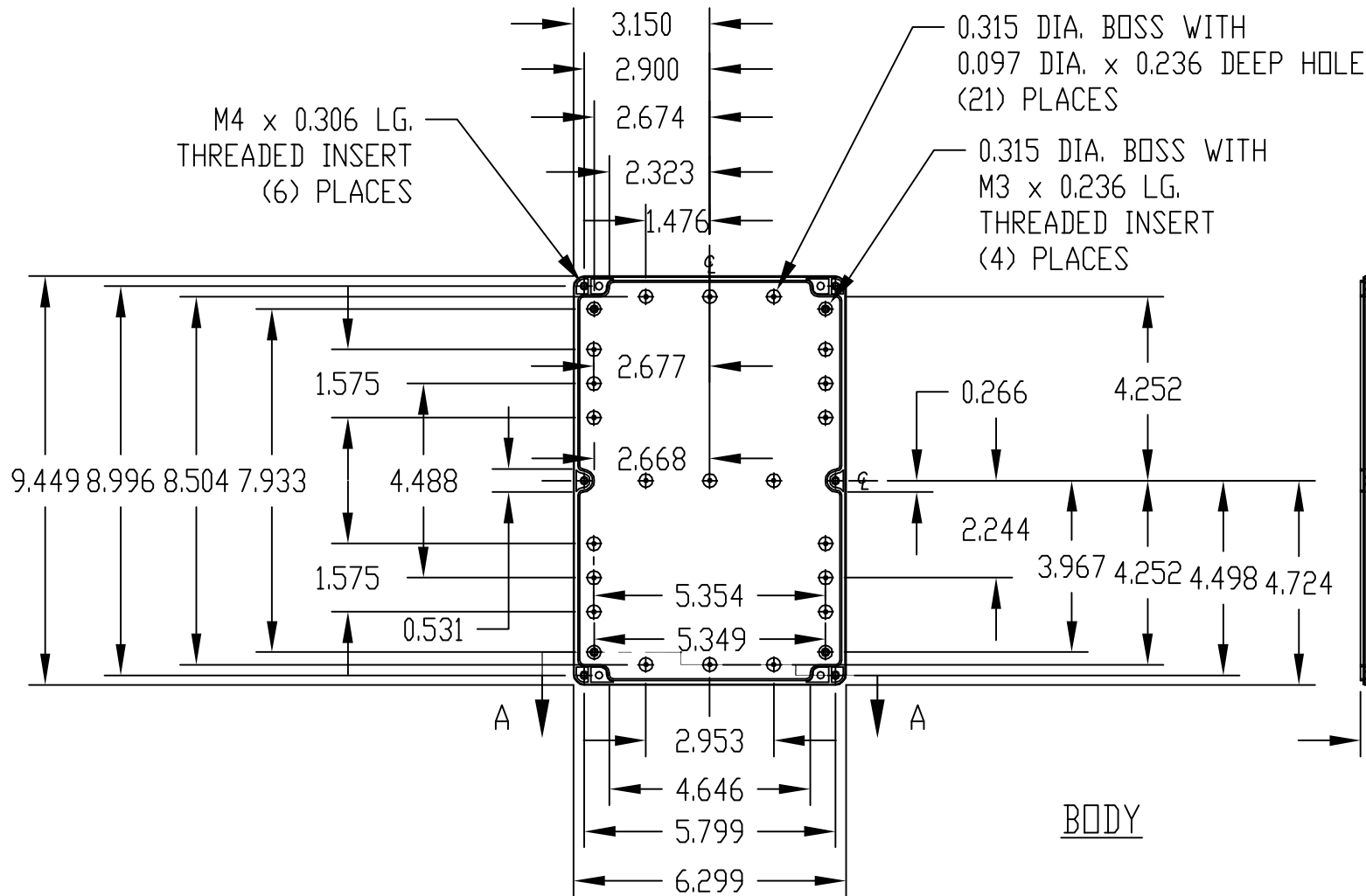
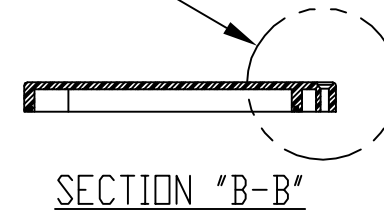
BT-2740

UL FILE #194432

MATERIAL:
POLYCARBONATE,
TRANSPARENT BLUE
UL94V-2 FLAMMABILITY
RATING
UV STABILIZED
SERVICE TEMPERATURE
RANGE: -40°C TO +120°C



SEE DETAIL "C"



HARDWARE KIT
KIT CONTAINS (6) M4 x 20mm (0.787") LG. SCREWS FOR ASSEMBLY

NOTE: ALL DIMENSIONS HAVE ±0.015 TOLERANCE UNLESS OTHERWISE SPECIFIED.