

PART NAME

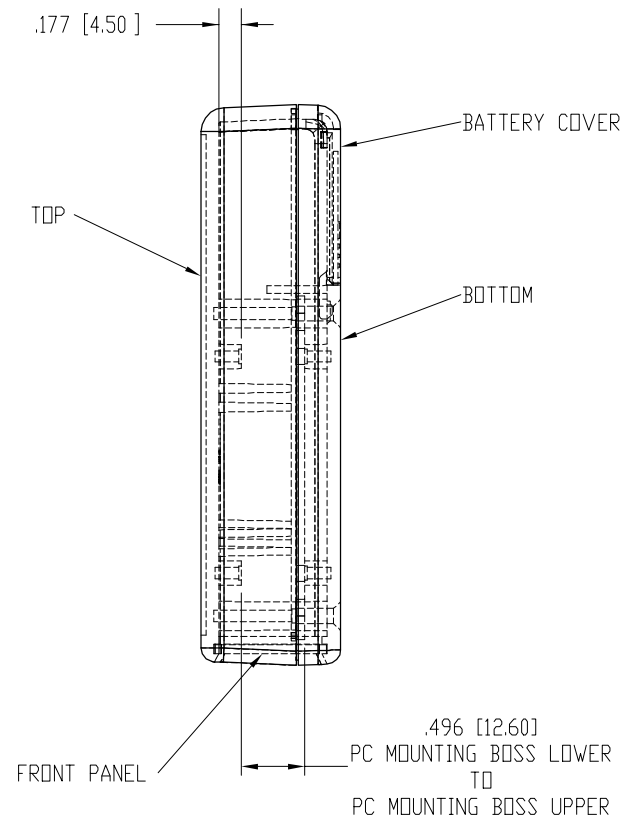
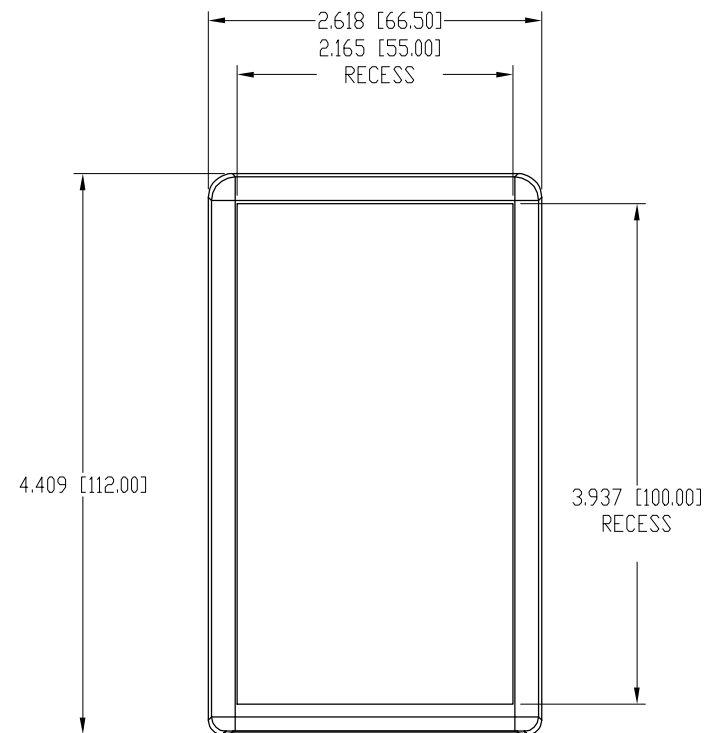
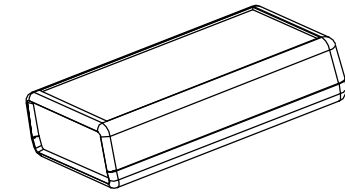
HAND-HELD PLASTIC BOX, STYLE 3

PART NO.

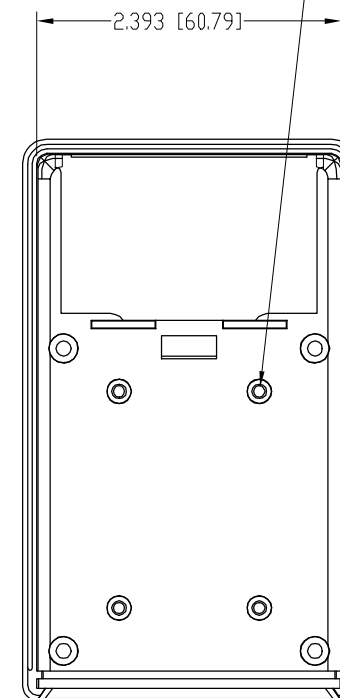
HP-3663-B

REVISION DATE

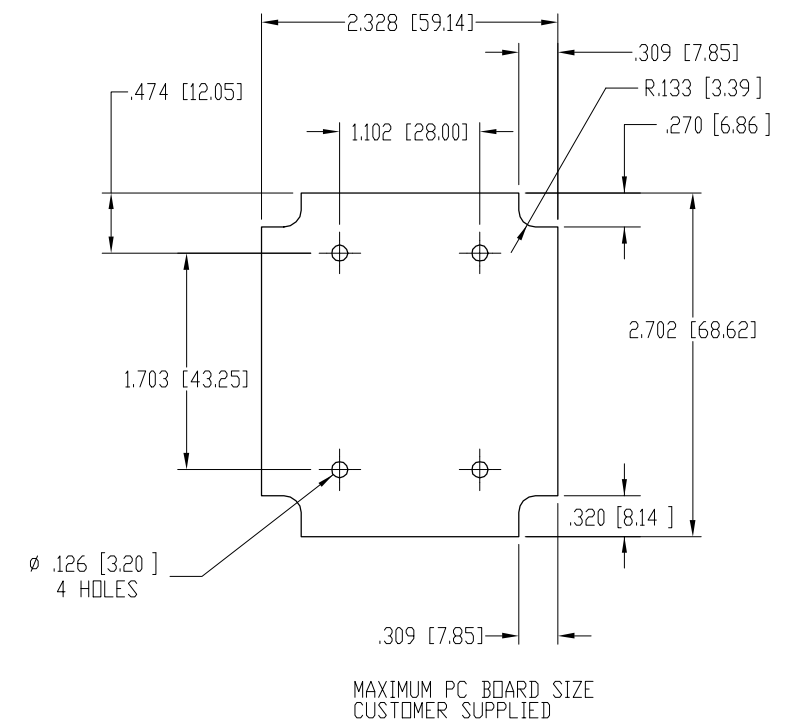
2-23-10



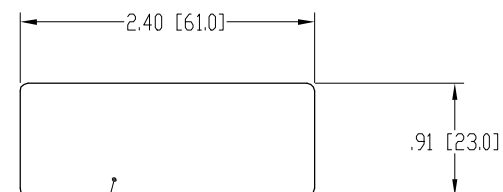
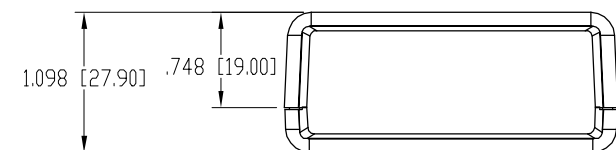
.098 DIA. [2.50]
MOUNTING HOLE TYP.
FOR M2.5 OR #4 SHEET METAL
SCREW



VIEW OF BOTTOM HALF



MAXIMUM PC BOARD SIZE
CUSTOMER SUPPLIED



END PANEL

VIEWING AREA
2.28[57.9] X .82 [20.80]

MATERIAL AND FINISH:

BLACK HIGH-IMPACT ABS (UL94-HB) - TOP, BOTTOM, COVER, AND END PANEL

FOUR (4) M3 X .63 [16] LG SCREWS SUPPLIED FOR ASSEMBLY

OPTIONAL ACCESSORIES:

- INFRARED PANELS P/N HP-3645
- BELT CLIP (BLACK) P/N HH-3595-BCB
- AA BATTERY CONTACT KIT: HH-3442-C
- 9V BATTERY CLIP: HH-3449
- 2 AAA BATTERY HOLDER: HH-3630
- 4 AAA BATTERY HOLDER: HH-3631
- 2 AA BATTERY HOLDER: HH-3632
- 4 AA BATTERY HOLDER: HH-3633
- 9V BATTERY HOLDER: HH-3634