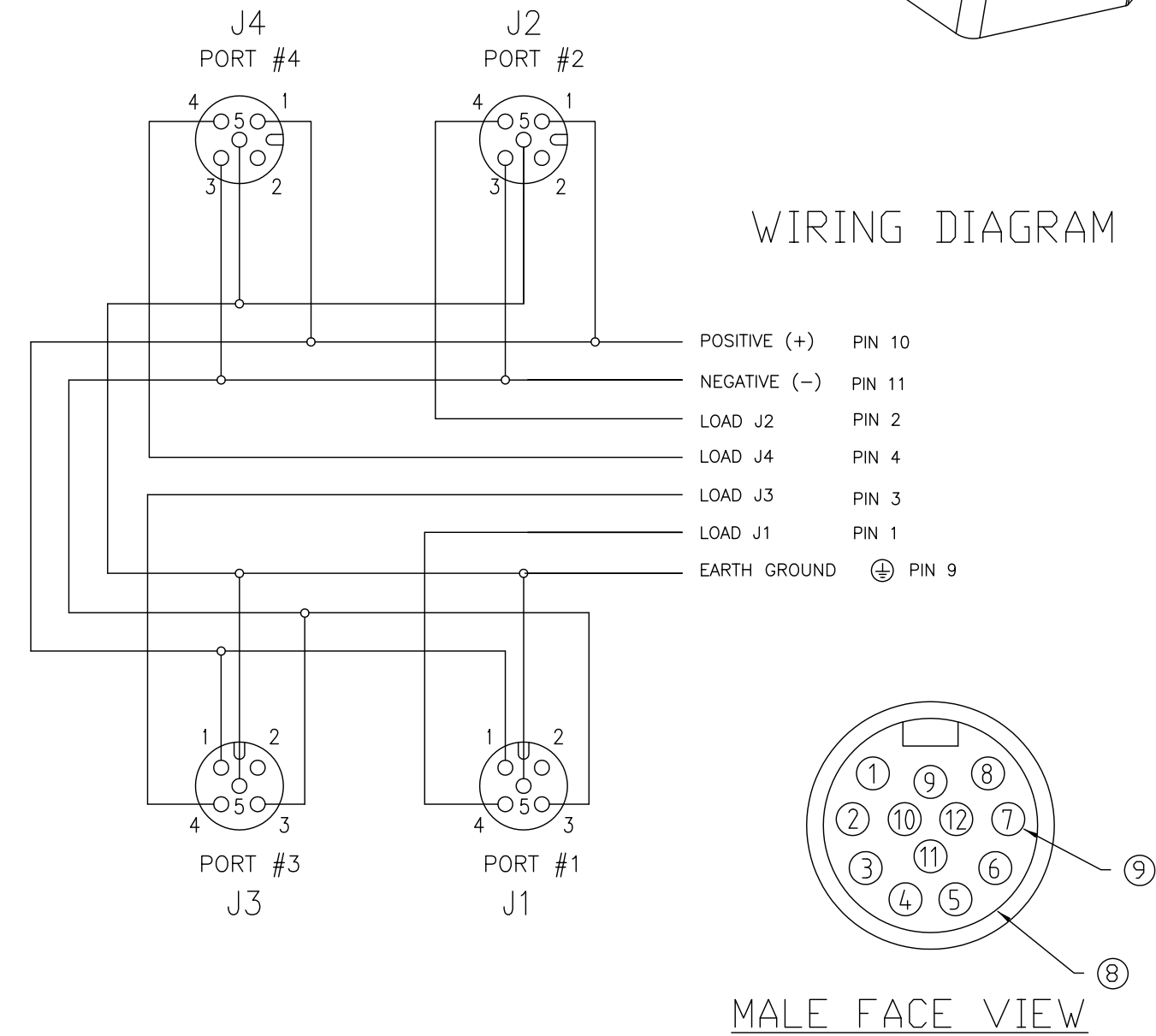
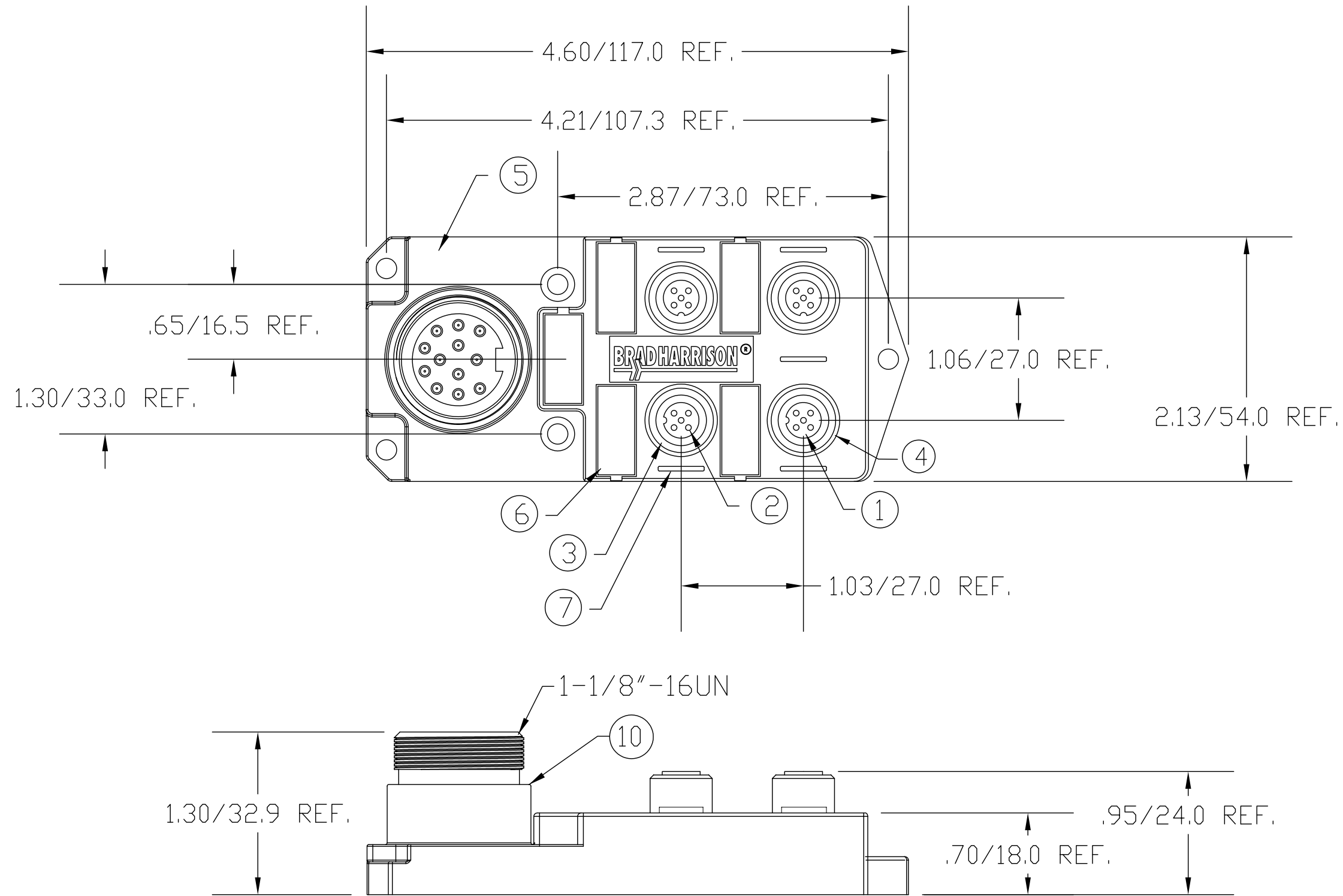
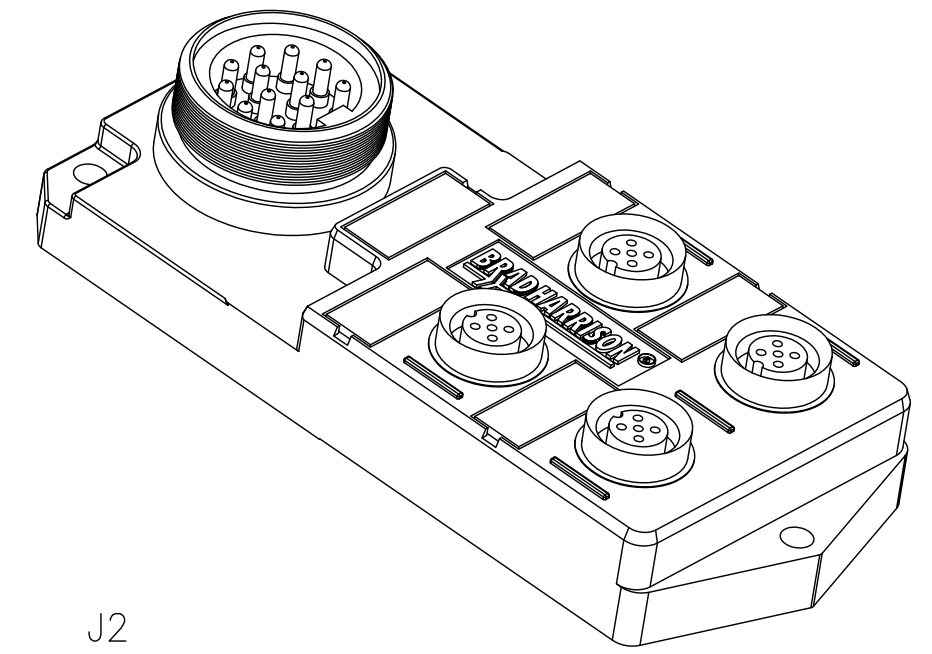


13	12	11	10	9	8	7	6	5	4	3	2	1
<b>MATERIAL NUMBER</b>	<b>OLD PART NUMBER</b>											
1201140027	BTY4010-FBB											



NOTE-PINS 5,6,7,8 & 12 NOT USED

VOLTAGE RATING	10-30 VDC
AMPERAGE RATING PER PORT	4 AMPS
PROTECTION	IP67
OPERATING TEMPERATURE	-20°C TO 90°C
UL CERTIFICATIONS	UL RECOGNIZED, FILE NO. E46237
CSA CERTIFICATIONS	CSA CERTIFIED, FILE NO. LR6837

ITEM	COMPONENT	MATERIAL	FINISH
1	INSERT	NYLON	BLACK
2	CONTACT SOCKET	COPPER ALLOY	GOLD OVER NICKEL
3	O-RING	NITRILE	RED
4	RECEPTACLE SHELL	BRASS	NICKEL PLATED
5	HOUSING	PBT	YELLOW
6	LABEL	ABS	WHITE
7	LENS	NYLON	YELLOW
8	INSERT	PVC	YELLOW
9	CONTACT PIN	COPPER ALLOY	GOLD OVER NICKEL
10	RECEPTACLE SHELL	BRASS	NICKEL PLATED

CORRECTED UL FILE # EC NO: WEU2010-0374 DRWN: FPACHER 2010/02/16 CH'KD: NS APPR: NSTAUDIG 2010/02/18 REV A	<b>QUALITY SYMBOL</b> ▽=0 ▽=0	<b>GENERAL TOLERANCES (UNLESS SPECIFIED)</b> <table border="1"> <tr> <td></td> <td>mm</td> <td>INCH</td> </tr> <tr> <td>4 PLACES</td> <td>±.</td> <td>±.</td> </tr> <tr> <td>3 PLACES</td> <td>±.</td> <td>±.</td> </tr> <tr> <td>2 PLACES</td> <td>±.</td> <td>±.01</td> </tr> <tr> <td>1 PLACE</td> <td>±0.3</td> <td>±.</td> </tr> </table>		mm	INCH	4 PLACES	±.	±.	3 PLACES	±.	±.	2 PLACES	±.	±.01	1 PLACE	±0.3	±.	<b>DIMENSION STYLE</b> IN/MM DRAWN BY: BW DATE: 2009/04/02 CHECKED BY: TW DATE: 2009/04/02 APPROVED BY: NSTAUDIG DATE: 2010/02/18	SCALE: --- DESIGN UNITS: METRIC THIRD ANGLE PROJECTION	<b>TITLE</b> MICRO-CHANGE MPIS 4 PORT TOP MOUNT NO LEDS MINI 12 POLE MALE <b>MOLEX INCORPORATED</b> DOCUMENT NO. SD-120114-015 SHEET NO. 1 OF 1
		mm	INCH																	
	4 PLACES	±.	±.																	
	3 PLACES	±.	±.																	
2 PLACES	±.	±.01																		
1 PLACE	±0.3	±.																		
DRAFT WHERE APPLICABLE MUST REMAIN WITHIN DIMENSIONS		MATERIAL NO. SEE CHART SIZE C	THIS DRAWING CONTAINS INFORMATION THAT IS PROPRIETARY TO MOLEX INCORPORATED AND SHOULD NOT BE USED WITHOUT WRITTEN PERMISSION																	