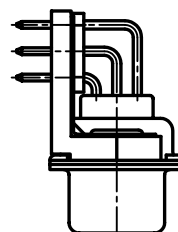
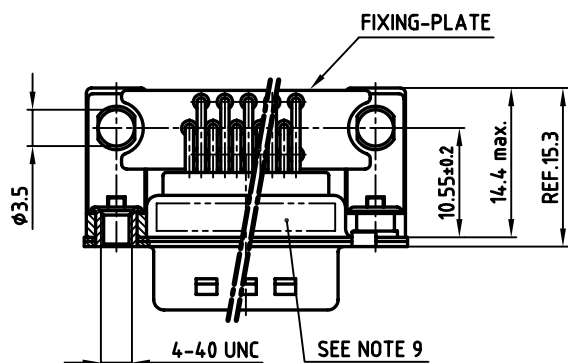
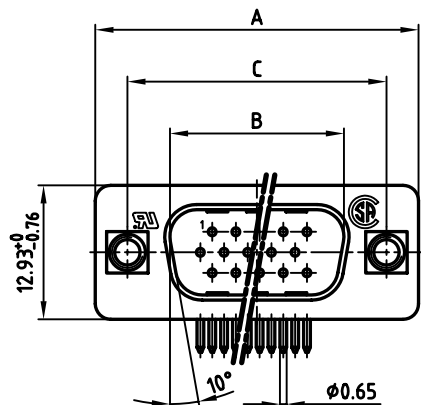
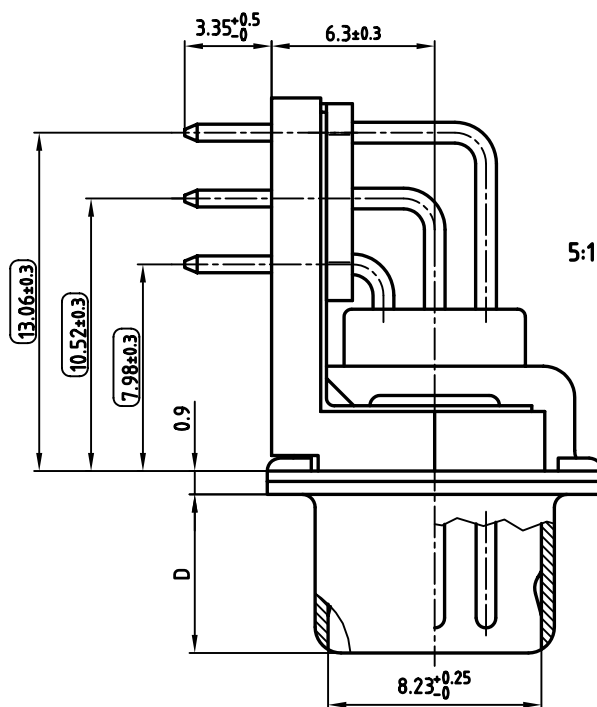


used for: D-SUB HD

POS.	A ^{-0.76}	B ^{+0.25}	C	D ^{-0.3}	Part-NO.
15	31.19	16.79	25.00 ^{+0.12} _{-0.13}	6.12	163A17609X
26	39.52	25.12	33.30 ^{+0.15} _{-0.1}	6.12	163A17619X
44	53.42	38.84	47.04 ^{+0.13}	5.99	163A17629X
62	69.70	55.30	63.50 ^{+0.13}	5.99	163A17639X



NOTES:

- METALSHELLS: STEEL; min. 320µ" TIN
- INSULATORS: PBT GF UL 94 V-0, BLACK
- CONTACTS: COPPER ALLOY
PLATING: 8µ" HARD GOLD OVER min. 50µ" NICKEL
- MOUNTING BRACKET: PBT GF UL 94 V-0, BLACK
- THREADED INSERT: COPPER ALLOY; min. 200µ" TIN OVER 80µ" NICKEL
- FIXING-PLATE: PBT GF UL 94 V-0, BLACK
- P.C.B. HOLE DRILLINGS ON SHEET 2
- MAXIMUM TORQUE VALUE FOR THREAD: 6" LBS
- CONNECTOR IS PART MARKED: PART-NO. CONEC ABC
- = CHECK DIMENSION

Directive 2002/95/EC
 "RoHS"
 Compliant

APPROVAL * FREIGABE * DEBLOCAGE * AUTORIZACION * APPROVAL	
CUSTOMER APPROVAL DATE:	
NAME:	TITLE:
COMPANY NAME:	
APPROVAL * FREIGABE * DEBLOCAGE * AUTORIZACION * APPROVAL	

THIS DRAWING MAY NOT BE COPIED OR REPRODUCED IN ANY WAY, AND MAY NOT BE PASSED ON TO A THIRD PARTY, WITHOUT WRITTEN PERMISSION.
 OWNERSHIP AND COPYRIGHT OF CONEC GmbH
DO NOT ALTER CAD DRAWING BY HAND

	tolerance		scale:	2:1 (5:1)		
		dim. in mm	material:	SEE NOTES		
	2006	date	title: D-SUB HD MALE 90° 15-62pos. 0.350inch threaded insert, mounting + grounding bracket			
	drawn	20.03.			name	Lehmenkühler
	appd.	20.03.			name	Mickenbecker
	norm	DIN 41652				
	d-old			dwg no: AutoCAD 2006		
	a	Origin	16K1A1782 part no: SEE TABLE			
rev.	description	date			name	DIN-A 3 sh:1/2



