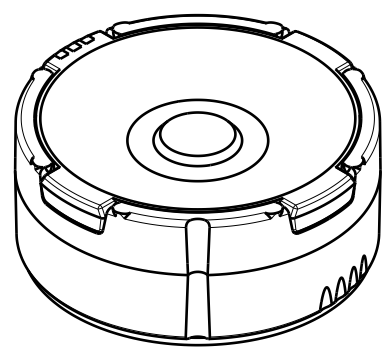
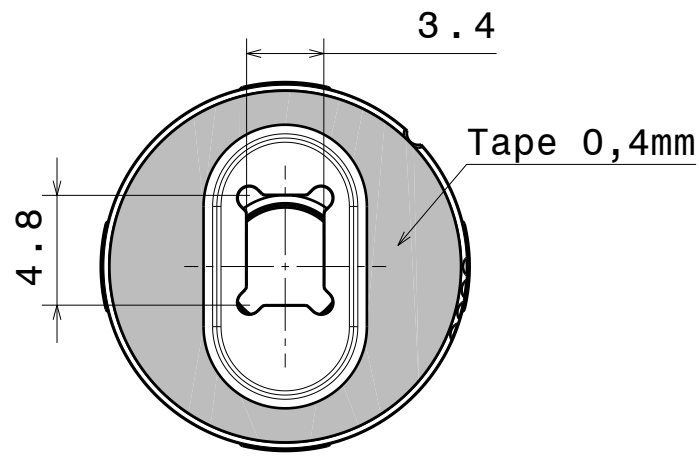


D C B A

4

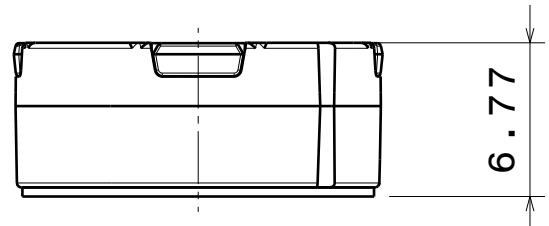


4

Bottom view

Isometric view

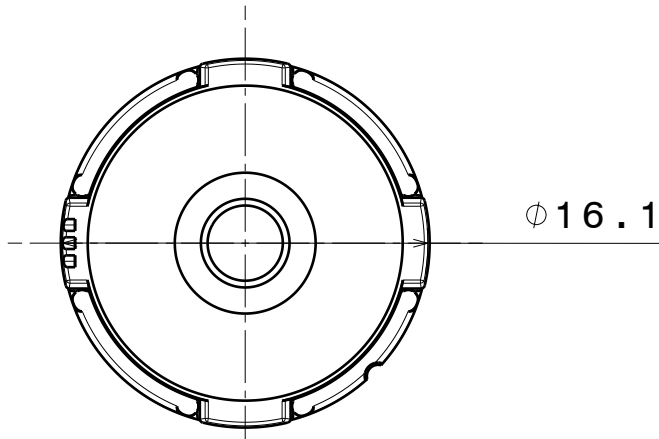
3



3

Front view

2



2

Top view

Materials

Lens: PMMA
 Holder: PC
 Tape: PU Foam

This drawing is our property.
 It can't be reproduced
 or communicated without
 our written agreement.

LEDIL Ledil Oy
 Salorankatu 10
 FIN 24240 SALO
 Finland

DRAWING TITLE Mechanical Drawing

DRAWN BY
as

DATE
 21.9.2012

TINA3-RE-ES

CHECKED BY
VS

DATE
 -

SIZE
A4

PART NUMBER

REV
001

DESIGNED BY
 -

DATE
 -

SCALE 3:1

WEIGHT -

SHEET

1/1

1

1

D A