

MATERIAL NUMBER	# OF COLUMNS	# OF DIFF PAIR	DIM 'A' MAX	DIM 'B'	PTH $\phi$
170468-#8**	8	24	22.80	13.30	0.46+0.05
170468-#1**	10	30	26.60	17.10	0.46+0.05
170468-#6**	16	48	38.00	28.50	0.46+0.05
170468-#8**	8	24	22.80	13.30	0.39+0.05
170468-#1**	10	30	26.60	17.10	0.39+0.05
170468-#6**	16	48	38.00	28.50	0.39+0.05

**170468-\*\*\*\***

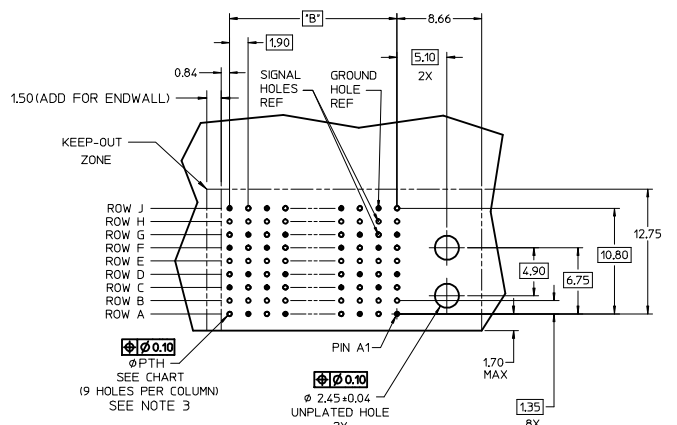
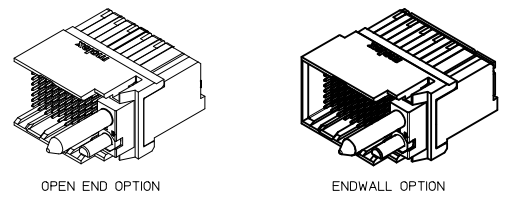
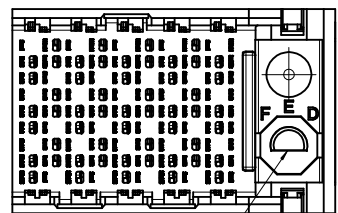
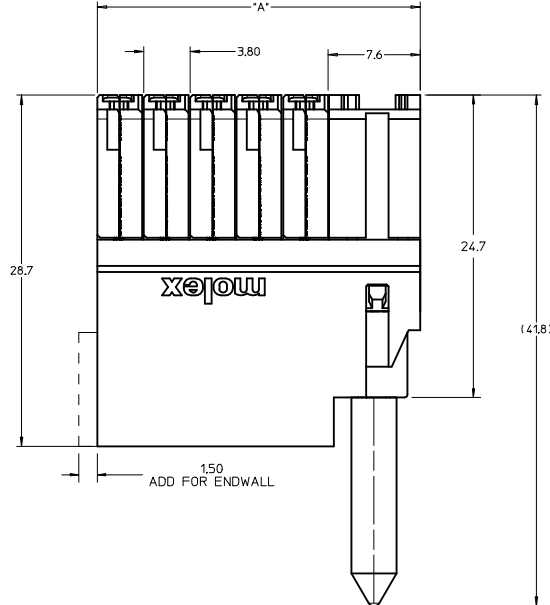
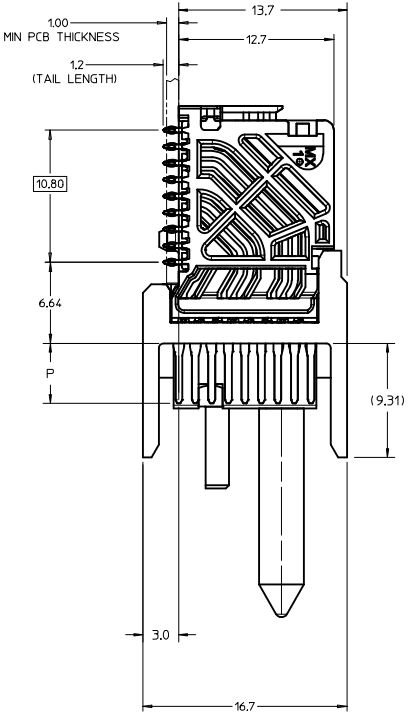
MODULE & TAIL PLATING TYPE  
 5 = RIGHT GUIDED LEAD-FREE  
 9 = RIGHT GUIDED LEAD-FREE W/ ENDWALL

# OF COLUMNS  
 1 = 10 COL  
 6 = 16 COL  
 8 = 8 COL

POLARIZATION KEY ORIENTATION  
 0 = NO KEY  
 1 = A    5 = E  
 2 = B    6 = F  
 3 = C    7 = G  
 4 = D    8 = H

PIN LENGTH (P)  
 4 = 4.90 (0.46 PTH)  
 5 = 5.50 (0.46 PTH)  
 7 = 4.90 (0.39 PTH)  
 8 = 5.50 (0.39 PTH)

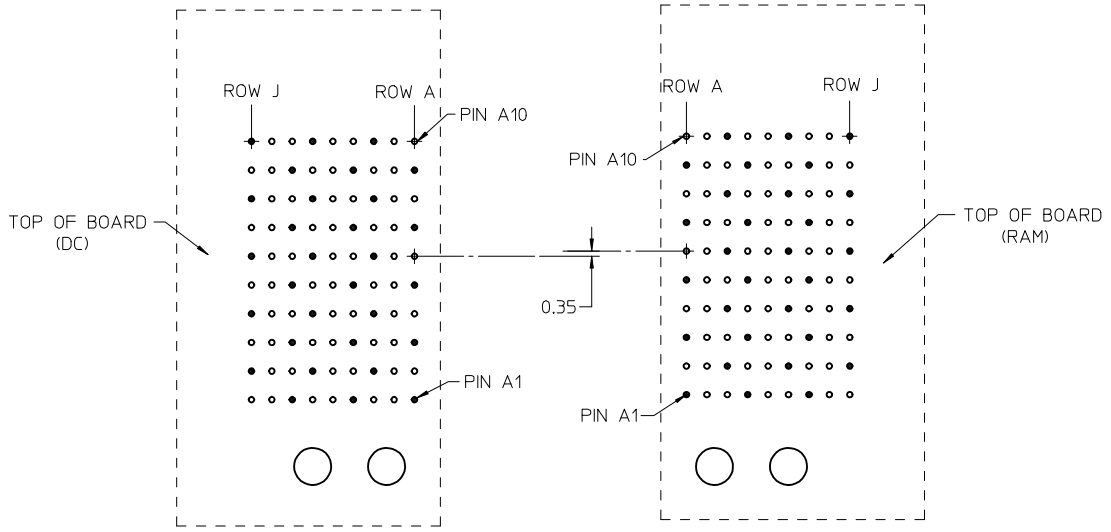
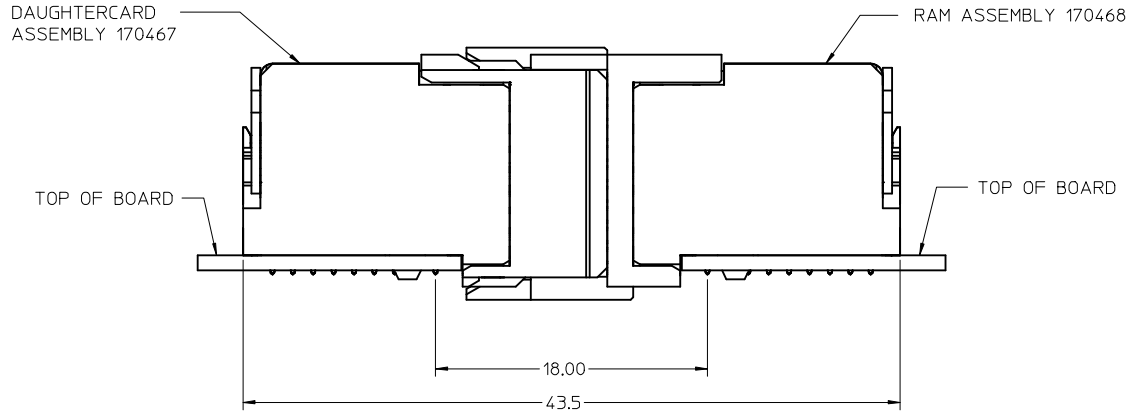
- NOTES:
- MATERIALS: HOUSING - LIQUID CRYSTAL POLYMER (LCP), GLASS-FILLED, UL94V-0  
TERMINALS - HIGH PERFORMANCE COPPER ALLOY
  - FINISH: 10UM SELECTIVE GOLD IN CONTACT AREA, SELECTIVE TIN ON PCB TAILS, NICKEL OVERALL.
  - REFER TO MOLEX PRODUCT SPECIFICATION PS-76060-999 FOR PERFORMANCE SPECIFICATIONS AND ADDITIONAL PCB INFORMATION.
  - EACH SIGNAL WAFER CONTAINS 2 COLUMNS OF TERMINALS.
  - PRODUCT IS PACKAGED PER PK-70873-762.
  - THIS PART CONFORMS TO CLASS B REQUIREMENTS OF COSMETIC SPEC PS-45499-002.
  - REFER TO MOLEX SALES DRAWING SD-170467-0002 FOR THE MATING RECEPTACLES.
  - REFER TO MOLEX PCB ROUTING GUIDE AS-76060-990 FOR ANTI PAD AND ROUTING RECOMMENDATIONS.
  - WHEN USING MOLEX SUPPLIED #2-32 SELF-TAPPING, TYPE A8 SCREW 73726-0000 (9.50 +/- 0.38 THREADABLE SCREW LENGTH), THE MAXIMUM BOARD THICKNESS IS 1.0 mm TO 4.0 mm.
  - GUIDE RIGHT RAM MATES WITH A GUIDE LEFT DAUGHTERCARD.
  - OPEN END VERSION SHOWN FOR CLARITY.



RAM HOLE PATTERN (CONNECTOR SIDE)

UPD DRAWING/PCB LAYOUT IEC NO: UCP2014-4965 DRAWN: GONZALEZ01_2014/06/17 CHKD: APPR: TELO 2015/01/20 REV: A1	QUALITY SYMBOLS	GENERAL TOLERANCES (UNLESS SPECIFIED)	DIMENSION STYLE	SCALE	DESIGN UNITS	THIRD ANGLE PROJECTION	
	▽=0	mm    INCH	MM ONLY	5:1	METRIC		
	▽=0	4 PLACES +--- +--- 3 PLACES +--- +--- 2 PLACES +0.13 +--- 1 PLACE +0.25 +--- 0 PLACE +--- +---	DRAWN BY DATE DVARVARA 2013/06/20	TITLE	IMPACT 3-PAIR 100-OHM GUIDE RIGHT RAM SIGNAL SALES DWG, MAPS		
	▽=0	ANGULAR ±1/2° DRAFT WHERE APPLICABLE MUST REMAIN WITHIN DIMENSIONS	CHECKED BY DATE TELO 2013/06/20	APPROVED BY DATE TELO 2013/09/27	MATERIAL NO. SEE CHART	DOCUMENT NO. SD-170468-0004	SHEET NO. 1 OF 2

# COPLANAR APPLICATION



## COPLANAR MATED SIGNAL PATHS



SEE SHEET 1 EC NO: UCP2014-4965 DRWN: GONZALEZ01 2014/06/17 CHKD: APPR:TELO	2015/01/30	DESCRIPTION
	REV	DESCRIPTION
	A1	

QUALITY SYMBOLS	GENERAL TOLERANCES (UNLESS SPECIFIED)	
	mm	INCH
$\nabla = 0$	4 PLACES $\pm$ ---	$\pm$ ---
$\nabla = 0$	3 PLACES $\pm$ ---	$\pm$ ---
$\nabla = 0$	2 PLACES $\pm 0.13$	$\pm$ ---
	1 PLACE $\pm 0.25$	$\pm$ ---
	0 PLACE $\pm$	$\pm$
	ANGULAR $\pm 1/2^\circ$	
	DRAFT WHERE APPLICABLE MUST REMAIN WITHIN DIMENSIONS	

DIMENSION STYLE	
MM ONLY	
DRAWN BY	DATE
DVARVARA	2013/06/20
CHECKED BY	DATE
TELO	2013/06/20
APPROVED BY	DATE
TELO	2013/09/27
MATERIAL NO.	
SEE TABLE	
SIZE C	

SCALE 4:1	DESIGN UNITS METRIC	THIRD ANGLE PROJECTION
TITLE		
IMPACT 3-PAIR 100-OHM GUIDE RIGHT RAM SIGNAL SALES DWG, MAPS		
<b>molex</b>		
MATERIAL NO.	DOCUMENT NO.	SHEET NO.
SEE TABLE	SD-170468-0004	2 OF 2
THIS DRAWING CONTAINS INFORMATION THAT IS PROPRIETARY TO MOLEX INCORPORATED AND SHOULD NOT BE USED WITHOUT WRITTEN PERMISSION		

MATERIAL NUMBER	# OF COLUMNS	# OF DIFF PAIR	DIM 'A' MAX	DIM 'B'	PTH#
76410-#8**	8	24	22.80	13.30	0.46+0.05
76410-#1**	10	30	26.60	17.10	0.46+0.05
76410-#4**	14	42	34.20	24.70	0.46+0.05
76410-#6**	16	48	38.00	28.50	0.46+0.05
76410-#8**	8	24	22.80	13.30	0.39+0.05
76410-#1**	10	30	26.60	17.10	0.39+0.05
76410-#4**	14	42	34.20	24.70	0.39+0.05
76410-#6**	16	48	38.00	28.50	0.39+0.05

**76410-\*\*\*\***

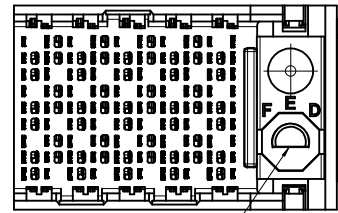
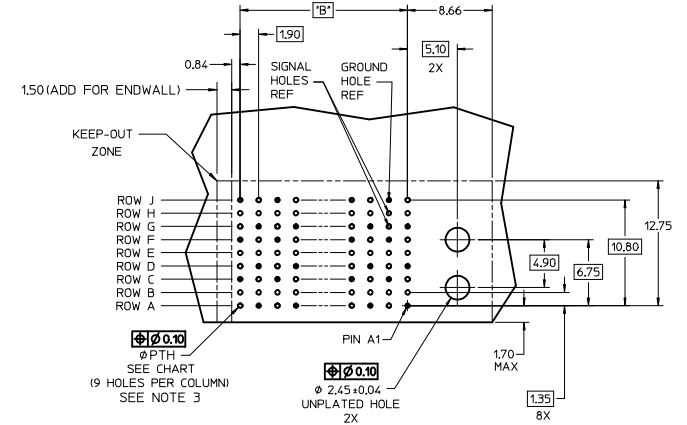
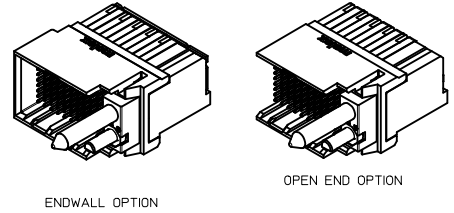
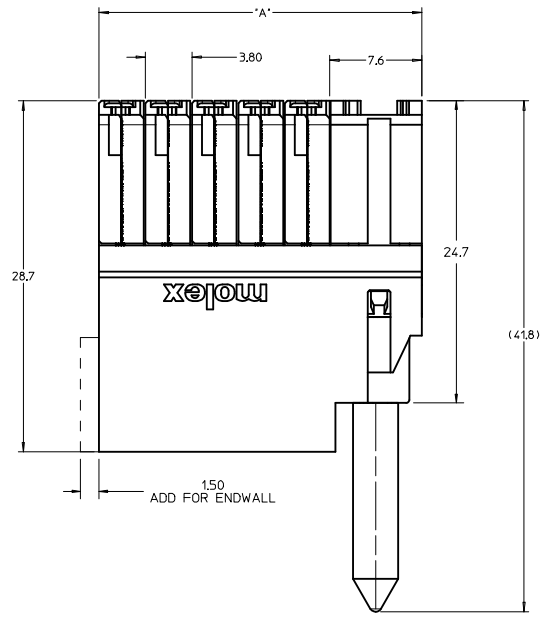
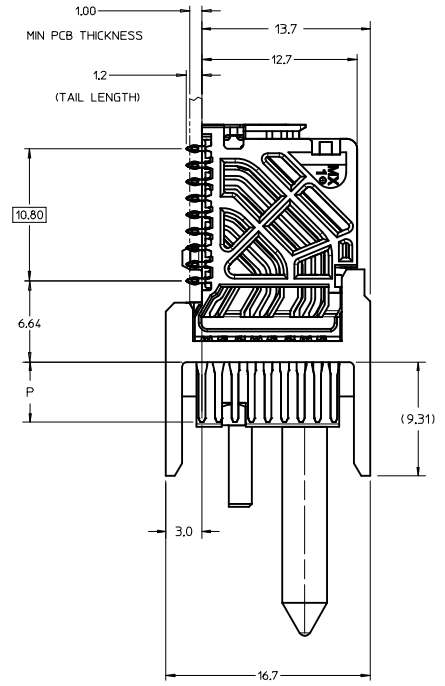
MODULE & TAIL PLATING TYPE  
 5 = RIGHT GUIDED LEAD-FREE  
 9 = RIGHT GUIDED LEAD-FREE W/ ENDWALL

PIN LENGTH (P)  
 4 = 4.90 (0.46 PTH)  
 5 = 5.50 (0.46 PTH)  
 7 = 4.90 (0.39 PTH)  
 8 = 5.50 (0.39 PTH)

# OF COLUMNS  
 1 = 10 COL  
 4 = 14 COL  
 6 = 16 COL  
 8 = 8 COL

POLARIZATION KEY ORIENTATION  
 0 = NO KEY  
 1 = A    5 = E  
 2 = B    6 = F  
 3 = C    7 = G  
 4 = D    8 = H

- NOTES:
- MATERIALS: HOUSING - LIQUID CRYSTAL POLYMER (LCP), GLASS-FILLED, UL94V-0 TERMINALS - HIGH PERFORMANCE COPPER ALLOY
  - FINISH: 30MIN SELECTIVE GOLD IN CONTACT AREA, SELECTIVE TIN ON PCB TAILS, NICKEL OVERALL.
  - REFER TO MOLEX PRODUCT SPECIFICATION PS-76060-999 FOR PERFORMANCE SPECIFICATIONS AND ADDITIONAL PCB INFORMATION.
  - EACH SIGNAL WAFER CONTAINS 2 COLUMNS OF TERMINALS.
  - PRODUCT IS PACKAGED PER PK-70873-762.
  - THIS PART CONFORMS TO CLASS B REQUIREMENTS OF COSMETIC SPEC PS-45499-002.
  - REFER TO MOLEX SALES DRAWING SD-76170-002 FOR THE MATING RECEPTACLES.
  - REFER TO MOLEX PCB ROUTING GUIDE AS-76060-990 FOR ANTI PAD AND ROUTING RECOMMENDATIONS.
  - WHEN USING MOLEX SUPPLIED #2-32 SCREW 73726-0005 (7.42 ±0.38/-0.76 mm THREADABLE SCREW LENGTH), THE BOARD THICKNESS RANGE IS 1.00 TO 1.80 mm.
  - GUIDE RIGHT RAM MATES WITH A GUIDE LEFT DAUGHTERCARD.
  - OPEN END VERSION SHOWN FOR CLARITY.

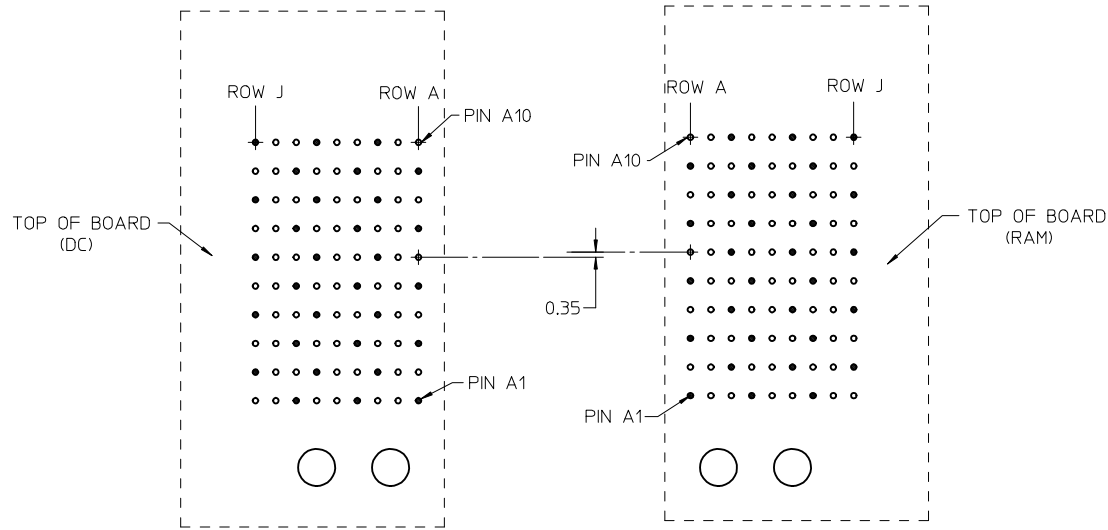
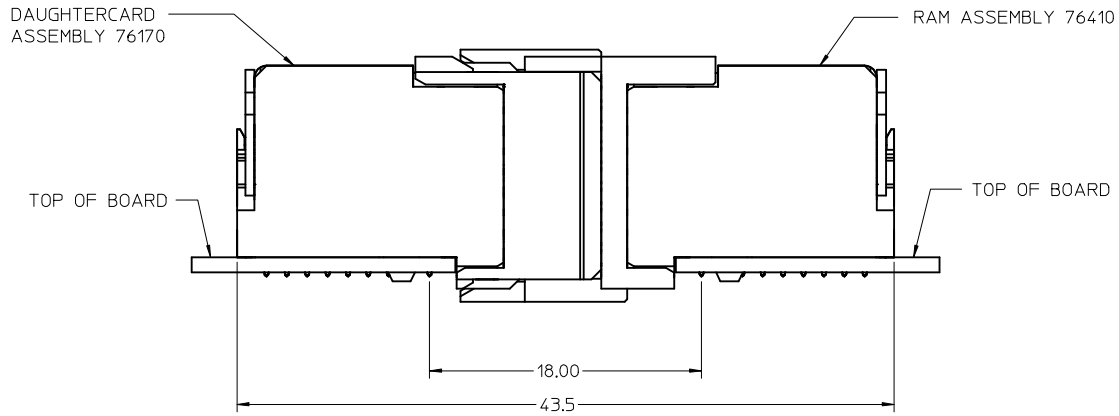


KEY SHOWN  
IN POSITION A

**RAM HOLE PATTERN  
(CONNECTOR SIDE)**

<b>ADD 14 COL OPTION</b> EEC NO: UICP2016-0079 DRAWN BY: DRWNB/MILLER CHYK: 2015/07/07 APPR:TELO REV: 2015/07/07	QUALITY SYMBOLS	GENERAL TOLERANCES (UNLESS SPECIFIED)	DIMENSION STYLE	SCALE	DESIGN UNITS	THIRD ANGLE PROJECTION	
	▽=0	mm    INCH	MM ONLY	5:1	METRIC	⊕	
	▽=0	4 PLACES ± --- ± ---	DATE	TITLE			
	▽=0	3 PLACES ± 0.13 ± ---	JLAURX 2008/10/21	IMPACT 3 PAIR RAM GUIDE RIGHT SIGNAL MODULE SALES DWG			
	2 PLACES ± 0.25 ± ---	DATE	MATERIAL NO.			DOCUMENT NO.	SHEET NO.
	1 PLACE ± --- ± ---	JLAURX 2008/10/21	SEE TABLE			SD-76410-004	1 OF 2
	0 PLACE ± --- ± ---	DATE	THIS DRAWING CONTAINS INFORMATION THAT IS PROPRIETARY TO MOLEX INCORPORATED AND SHOULD NOT BE USED WITHOUT WRITTEN PERMISSION				

# COPLANAR APPLICATION



## COPLANAR MATED SIGNAL PATHS



SEE SHEET 1 EC NO: UCP2016-0079 DRAWING MILLER 2015/07/07 CHKD: APPR:TELO 2015/07/07	DESCRIPTION REV	QUALITY SYMBOLS	GENERAL TOLERANCES (UNLESS SPECIFIED)	DIMENSION STYLE <b>MM ONLY</b>	SCALE <b>4:1</b>	DESIGN UNITS <b>METRIC</b>	THIRD ANGLE PROJECTION	
		▽=0	mm INCH	DRAWN BY JLAURX	DATE 2008/10/21	TITLE <b>IMPACT 3 PAIR RAM GUIDE RIGHT SIGNAL MODULE SALES DWG</b>  <b>molex</b>  DOCUMENT NO. <b>SD-76410-004</b>		
		▽=0	4 PLACES ± --- ± ---	CHECKED BY JJONIAK	DATE 2008/10/21			
		▽=0	3 PLACES ± --- ± ---	APPROVED BY JLAURX	DATE 2008/10/21			
▽=0	2 PLACES ± 0.13 ± ---	MATERIAL NO.						
		1 PLACE ± 0.25 ± ---	DRAFT WHERE APPLICABLE MUST REMAIN WITHIN DIMENSIONS		SEE TABLE		SHEET NO. 2 OF 2	
		0 PLACE ± ±	ANGULAR ±1/2°		THIS DRAWING CONTAINS INFORMATION THAT IS PROPRIETARY TO MOLEX INCORPORATED AND SHOULD NOT BE USED WITHOUT WRITTEN PERMISSION			