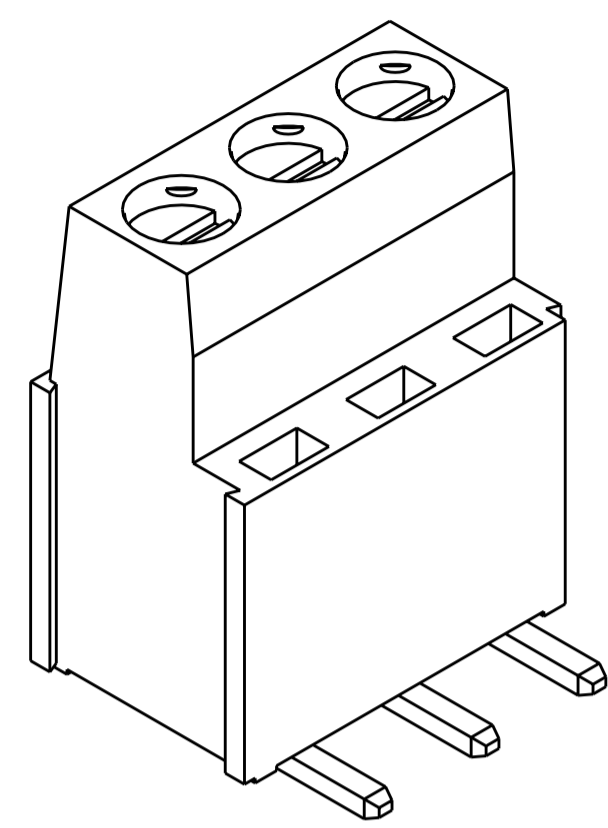
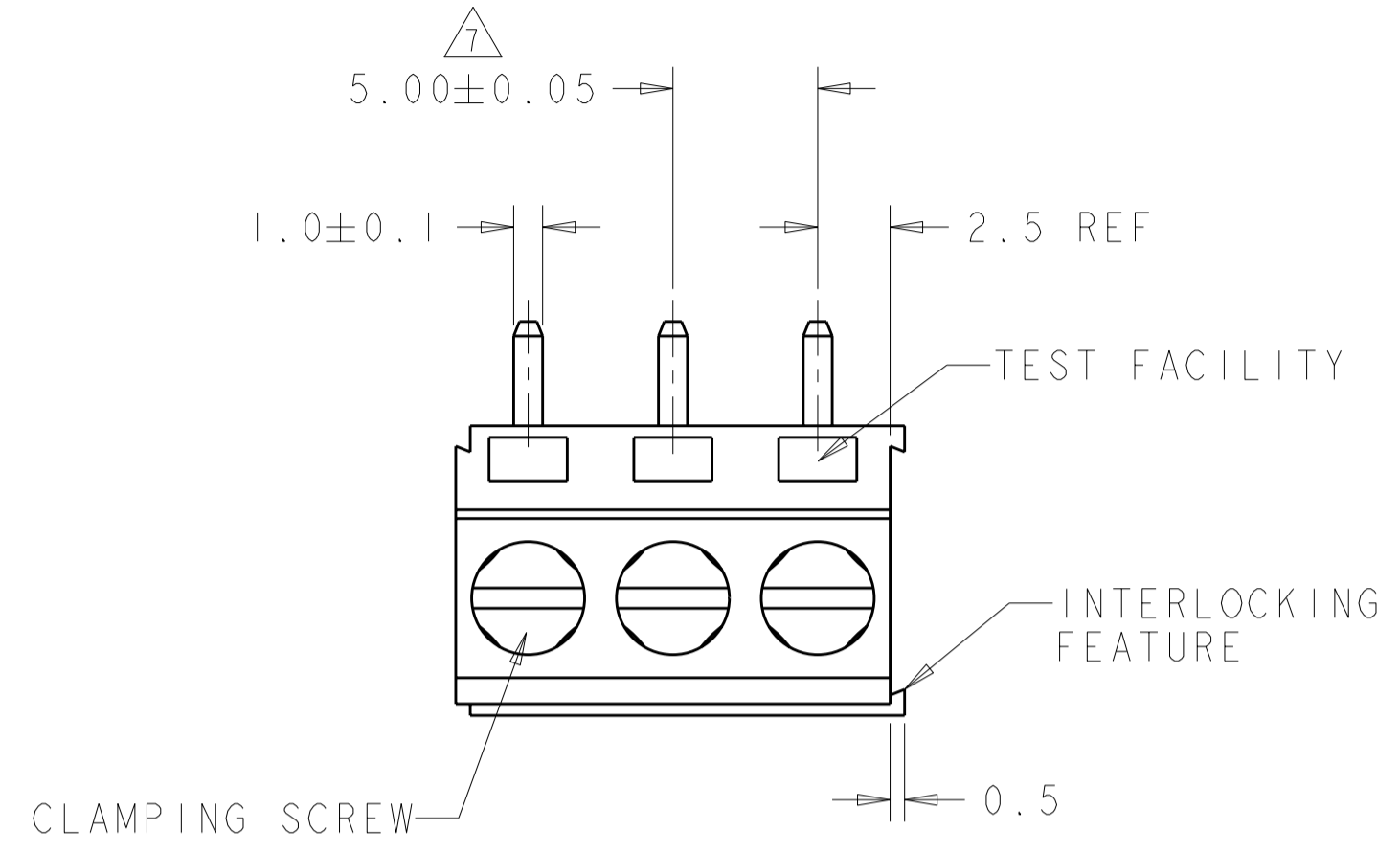
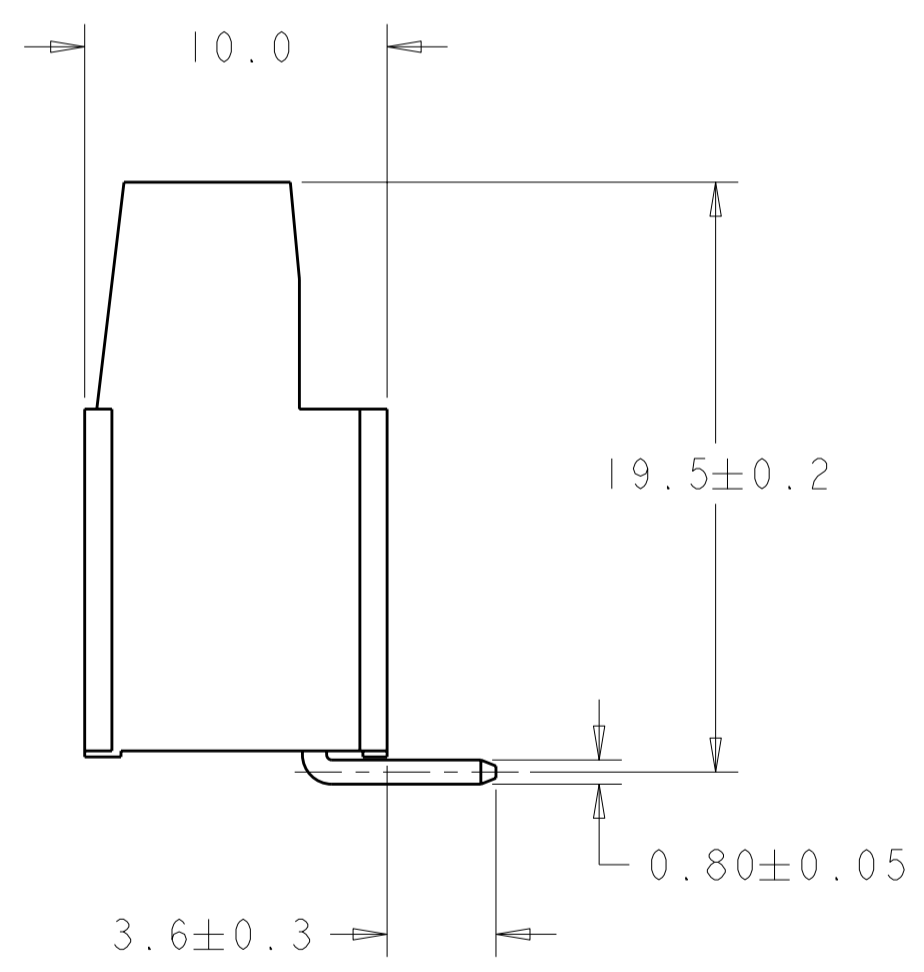
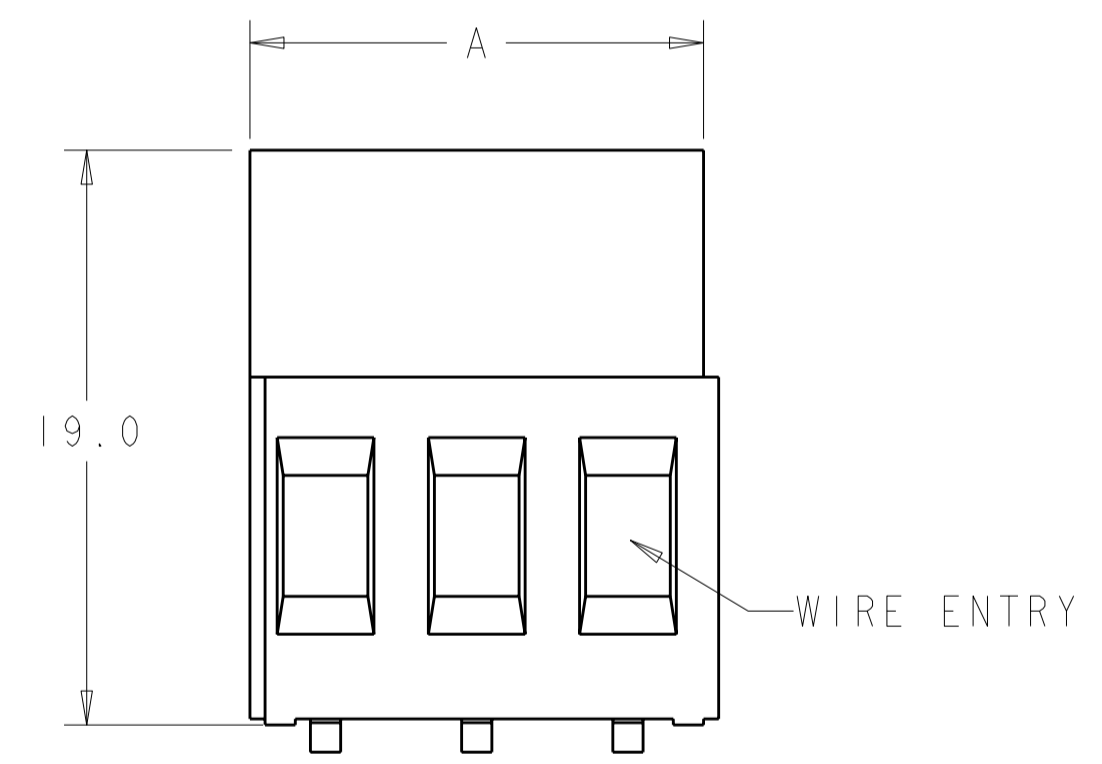


LOC	DIST	REVISIONS			
P	LTR	DESCRIPTION	DATE	DWN	APVD
		1	RELEASED	30MAR2006	SW CR
		2	ADDED 2-1776829-9	12APR2006	SW CR
		A	RELEASED -9, ECO-06-013869	19JUN2006	SW CR

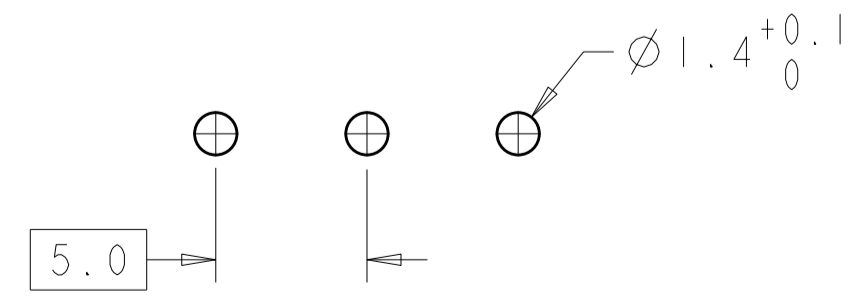


1776829-3 AS SHOWN

1. MATERIALS AND FINISH  
 HOUSING: PA 6-6, UL 94-V0, COLOR: BLACK.  
 CLAMP: BRASS, NICKEL PLATED.  
 TERMINAL: BRASS, TIN PLATED.  
 CLAMPING SCREW: M3, BRASS, NICKEL PLATED.
2. SUITABLE FOR 1,6-2,4mm PC BOARD THICKNESS.
3. END-TO-END STACKABLE W/INTERLOCK WITHOUT LOSS OF CENTERLINE SPACING.
4. WIRE SIZE RANGE: 12-30 AWG.
5. RECOGNIZED UNDER THE COMPONENT PROGRAM OF UNDERWRITERS LABORATORIES INC., FILE N° E60677.
6. IMQ CERTIFICATE WITH SURVEILLANCE IN CONFORMITY WITH IEC 998-1/998-2-1.
7. NOT CUMULATIVE TOLERANCE.
8. PART TO BE MARKED WITH WHITE PERMANENT INK.



PRELIMINARY	SEE DETAIL K	45.0	9	2-1776829-9
PRELIMINARY	-	70.0	14	1-1776829-4
PRELIMINARY	-	65.0	13	1-1776829-3
PRELIMINARY	-	60.0	12	1-1776829-2
PRELIMINARY	-	55.0	11	1-1776829-1
PRELIMINARY	-	50.0	10	1-1776829-0
-	-	45.0	9	1776829-9
PRELIMINARY	-	40.0	8	1776829-8
PRELIMINARY	-	20.0	4	1776829-4
PRELIMINARY	-	15.0	3	1776829-3
PRELIMINARY	-	10.0	2	1776829-2



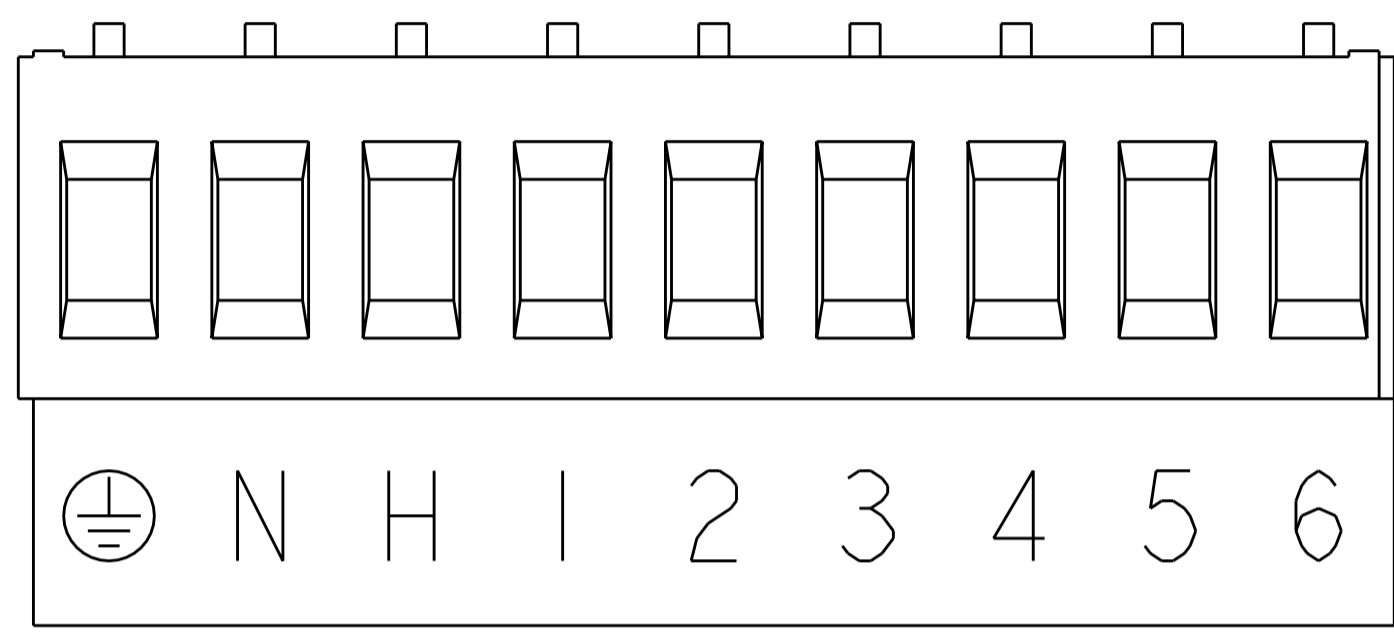
RECOMMENDED PC BOARD LAYOUT

INK MARKING		A	NO OF POSN	PART NUMBER
<p>THIS DRAWING IS A CONTROLLED DOCUMENT FOR TYCO ELECTRONICS CORPORATION IT IS SUBJECT TO CHANGE AND THE CONTROLLING ENGINEERING ORGANIZATION SHOULD BE CONTACTED FOR THE LATEST REVISION.</p>				
<p>DIMENSIONS: mm</p>		<p>DWN S. WELDON 30MAR2006                  CHK C. RICHARD 30MAR2006                  APVD C. RICHARD 30MAR2006</p>		
<p>TOLERANCES UNLESS OTHERWISE SPECIFIED:</p> <p>0 PLC ±.3                  1 PLC ±.3                  2 PLC ±.25                  3 PLC ±.                  4 PLC ±.                  ANGLES ±2                  FINISH</p>		<p>NAME: TERMINAL BLOCK PCB MOUNT                  TOP ENTRY WIRE, STACKING                  W/ INTERLOCK, 5.00mm PITCH</p>		
<p>MATERIAL</p>		<p>APPLICATION SPEC: 114-20079                  WEIGHT: -                  PRODUCT SPEC: -                  SIZE: A2                  CAGE CODE: 00779                  DRAWING NO: 1776829                  RESTRICTED TO: -</p>		
<p>CUSTOMER DRAWING</p>		<p>SCALE: 4:1 SHEET 1 OF 2 REV A</p>		

THIS DRAWING IS UNPUBLISHED.      RELEASED FOR PUBLICATION      20

© COPYRIGHT 20      BY TYCO ELECTRONICS CORPORATION. ALL RIGHTS RESERVED.

LOC	DIST	REVISIONS			
P	LTR	DESCRIPTION	DATE	DWN	APVD
		SEE SHEET 1			



8  
DETAIL K

<small>THIS DRAWING IS A CONTROLLED DOCUMENT FOR TYCO ELECTRONICS CORPORATION IT IS SUBJECT TO CHANGE AND THE CONTROLLING ENGINEERING ORGANIZATION SHOULD BE CONTACTED FOR THE LATEST REVISION.</small>		DWN S. WELDON 30MAR2006 CHK C. RICHARD 30MAR2006 APVD C. RICHARD 30MAR2006	<b>BUCHANAN</b> Tyco Electronics Harrisburg, PA 17105-3608
DIMENSIONS: mm	TOLERANCES UNLESS OTHERWISE SPECIFIED: 0 PLC ±- 1 PLC ±.3 2 PLC ±.25 3 PLC ±- 4 PLC ±- ANGLES ±2 FINISH	PRODUCT SPEC - APPLICATION SPEC 114-20079 WEIGHT -	NAME TERMINAL BLOCK PCB MOUNT TOP ENTRY WIRE, STACKING W/ INTERLOCK, 5.00mm PITCH
MATERIAL -	FINISH -	CUSTOMER DRAWING	SIZE A2 CAGE CODE 00779 DRAWING NO. C-1776829 RESTRICTED TO -
		SCALE 4:1	SHEET 2 OF 2 REV A