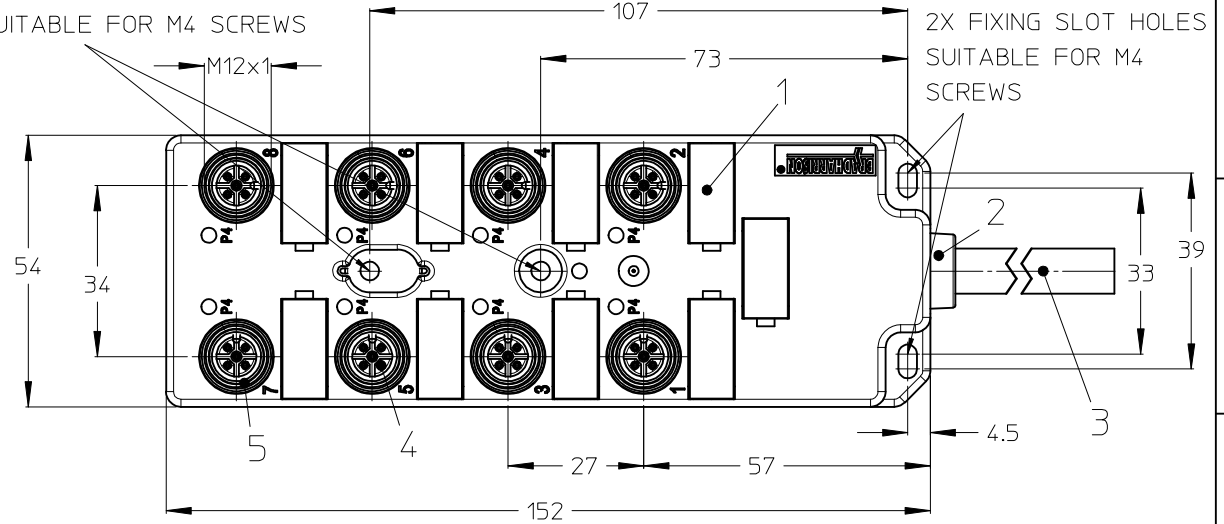


TABLE 1 BILL OF MATERIAL

| ITEM | QTY | DESCRIPTION    | MATERIAL                        | FINISH                                  |
|------|-----|----------------|---------------------------------|---|
| 1    | 9   | LABEL          | ABS                             | WHITE                                   |
| 2    | 1   | CABLE PLATE    | PBT                             | YELLOW                                  |
| 3    | 1   | CABLE          | SEE ENG. NO. MATRIX             | SEE ENG. NO. MATRIX                     |
| 4    | 32  | CONTACT        | BRASS                           | GOLD OVER NICKEL                        |
| 5    | 8   | O-RING         | FPM                             | RED                                     |
| 6    | 8   | SHELL          | BRASS                           | NICKEL PLATED                           |
| 7    | 9   | LED            | NON LED = PBT/<br>WITH LED = PA | NON LED=YELLOW/<br>WITH LED=TRANSPARENT |
| 2    | 1   | PROTECTING CAP | PP                              | BLACK                                   |
| 9    | 1   | HOUSING        | PBT                             | YELLOW                                  |

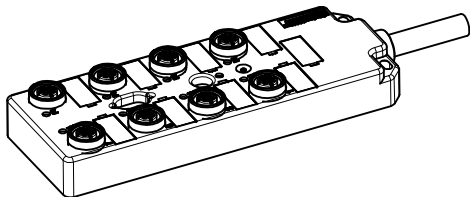
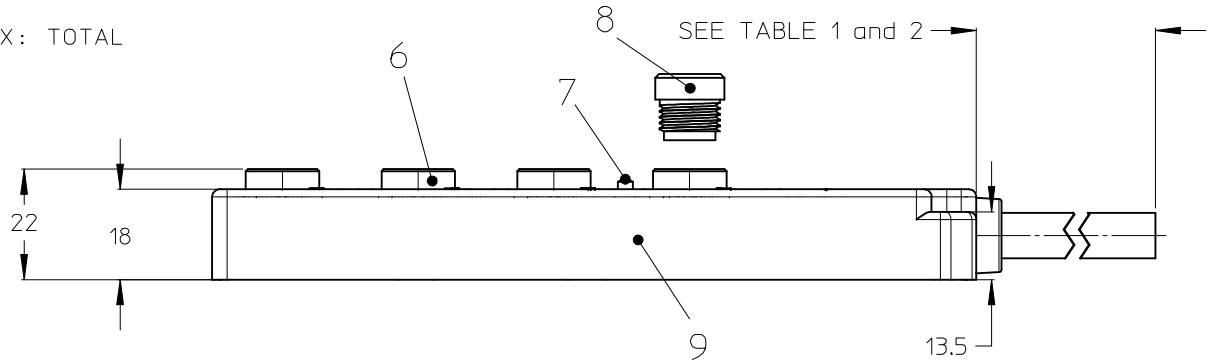
2X FIXING HOLES  
SUITABLE FOR M4 SCREWS



GENERAL CHARACTERISTICS:

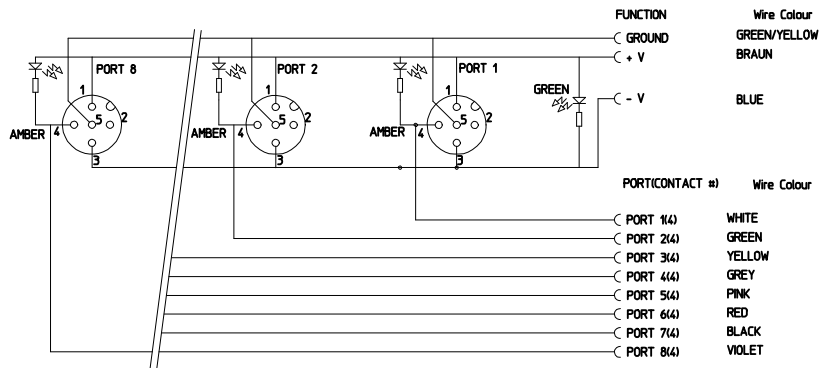
ELECTRICAL AND MECHANICAL DATA ACC. TO IEC 61076-2-101

- NOMINAL VOLTAGE: 24 V DC
- RATED CURRENT: 4 A PER PORT / 12 A MAX: TOTAL
- CONTACT RESISTANCE: ≤ 5 mOHM
- INSULATION RESISTANCE: > 10<sup>9</sup> OHM
- IP DEGREE OF PROTECTION: IP 67
- TEMPERATURE RANGE: -25°C to + 85°C

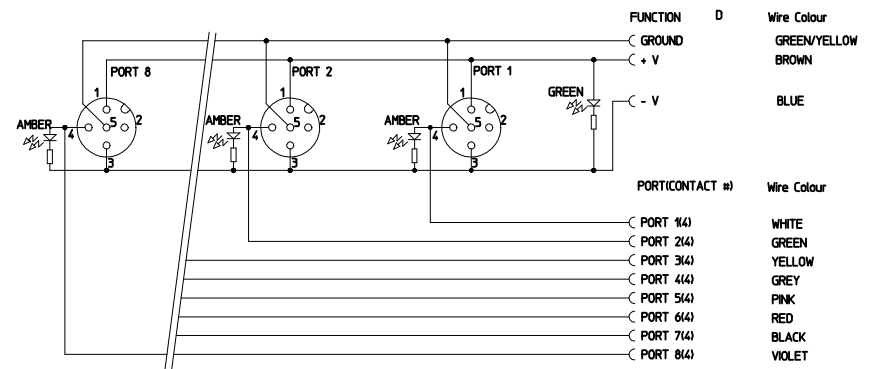


|  |                               |                                       |                      |  |                     |                               |   |  |  |
|--|-------------------------------|---------------------------------------|----------------------|--|---------------------|-------------------------------|---|--|--|
| ENTER DESCRIPTION<br>EC NO: IPG2014-0267<br>DRW:ULETTEMEIER2013/09/24<br>CHK:RSILLER 2013/09/25<br>APPR:CBURGER 2013/10/07 | QUALITY SYMBOLS<br>▽=0<br>▽=0 | GENERAL TOLERANCES (UNLESS SPECIFIED) |                      | DIMENSION STYLE<br><b>MM ONLY</b>                    | SCALE<br><b>1:1</b> | DESIGN UNITS<br><b>METRIC</b> | THIRD ANGLE PROJECTION  |  |  |
|  |                               | 4 PLACES ± --- ± ---                  | 3 PLACES ± --- ± --- | 2 PLACES ± 0.1 ± ---                                 | 1 PLACE ± 0.2 ± --- | 0 PLACE ± --- ± ---           | DRAWN BY DATE<br>ULETTEMEIER 2011/07/12                         |  |  |
|  |                               | ANGULAR ± 2 °                         |                      | DRAFT WHERE APPLICABLE MUST REMAIN WITHIN DIMENSIONS |                     |                               | CHECKED BY DATE<br>ZISMAYILOV 2011/12/14                        |  |  |
|  |                               | MATERIAL NO.                          |                      | DOCUMENT NO.   |                     |                               | TITLE<br>MPIS M12 PNP NOS NPN<br>4P 8PT AC FE STR<br>PUR PVC XM |  |  |
| A3   | REV                           | SEE TABLE 2                           |                      | molex  |                     |                               | SHEET NO.<br>1 OF 3   |  |  |

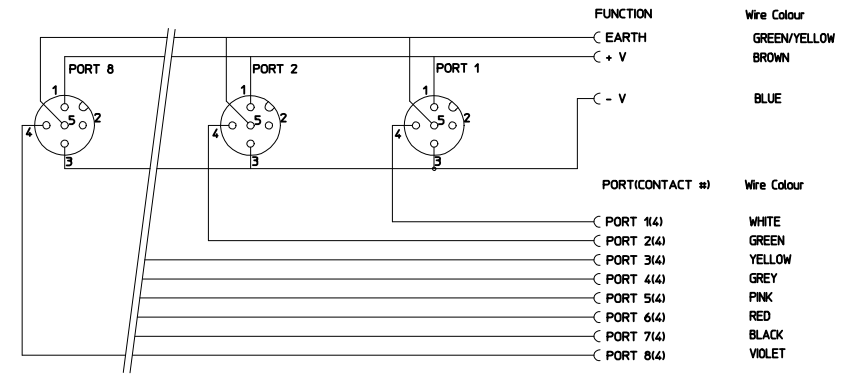
### Wiring Diagram NPN



### Wiring Diagram PNP



### WIRING DIAGRAMM NON LED



|   |                                    |   |  |   |                               |                               |                        |
|---|------------------------------------|---|--|---|-------------------------------|-------------------------------|------------------------|
| <b>ENTER DESCRIPTION</b><br>IEC NO: IFG2014-0267<br>DRWN:ULETTEMEIER 2013/09/24<br>CHKD:PSILLER 2013/09/25<br>APPR:CBURGER 2013/10/07 | <b>QUALITY SYMBOLS</b><br><br><br> | <b>GENERAL TOLERANCES (UNLESS SPECIFIED)</b>                          |  | <b>DIMENSION STYLE</b><br>MM ONLY   | <b>SCALE</b><br>1:1           | <b>DESIGN UNITS</b><br>METRIC | THIRD ANGLE PROJECTION |
|   |                                    | 4 PLACES ± --- ± ---  | DRAWN BY DATE<br>ULETTEMEIER 2011/07/12  | <b>TITLE</b><br>MPIS M12 PNP NOS NPN<br>4P 8PT AC FE STR<br>PUR PVC XM  |                               |                               |                        |
|   |                                    | 3 PLACES ± --- ± ---  | CHECKED BY DATE<br>ZISMAYILOV 2011/12/14 |   |                               |                               |                        |
|   |                                    | 2 PLACES ± 0.1 ± ---<br>1 PLACE ± 0.2 ± ---<br>0 PLACE ± --- ± ---    | APPROVED BY DATE<br>CBURGER 2011/12/20   | MATERIAL NO.<br>SEE TABLE 2   | DOCUMENT NO.<br>SD-120005-011 | SHEET NO.<br>2 OF 3           |                        |
| A3  | REV                                | ANGULAR ± 2 °<br>DRAFT WHERE APPLICABLE MUST REMAIN WITHIN DIMENSIONS |  | THIS DRAWING CONTAINS INFORMATION THAT IS PROPRIETARY TO MOLEX INCORPORATED AND SHOULD NOT BE USED WITHOUT WRITTEN PERMISSION |                               |                               |                        |

TABLE 2

| MOLEX P/N  | ENG. NR.       | LED | MOLEX P/N  | ENG. NR.       | LED |
|------------|----------------|-----|------------|----------------|-----|
| 1200550583 | BTY8000-FBP-05 | NO  | 1200051006 | BTY800P-FBN-05 | YES |
| 1200550584 | BTY8000-FBP-10 | NO  | 1200051007 | BTY800P-FBN-10 | YES |
| 1200051016 | BTY800N-FBN-05 | YES | 1200051008 | BTY800P-FBN-15 | YES |
| 1200051017 | BTY800N-FBN-10 | YES | 1201148022 | BTY800P-FBP-05 | YES |
| 1200051018 | BTY800N-FBN-15 | YES | 1201148023 | BTY800P-FBP-10 | YES |
| 1200050032 | BTY800N-FBP-02 | YES | 1201148024 | BTY800P-FBP-15 | YES |
| 1201148020 | BTY800N-FBP-05 | YES | 1201148025 | BTY800P-FBP-20 | YES |
| 1201140197 | BTY800N-FBP-10 | YES | 1200550781 | BTY800P-FBI-30 | YES |
| 1201148021 | BTY800N-FBP-15 | YES |            |                |     |
| 1200550529 | BTY800P-FBE-05 | YES |            |                |     |
| 1200550582 | BTY800P-FBE-10 | YES |            |                |     |
| 1200550625 | BTY800P-FBE-20 | YES |            |                |     |
| 1200550533 | BTY800P-FBI-05 | YES |            |                |     |
| 1200550534 | BTY800P-FBI-10 | YES |            |                |     |
| 1200550563 | BTY800P-FBI-15 | YES |            |                |     |

ENG. NO. MATRIX:

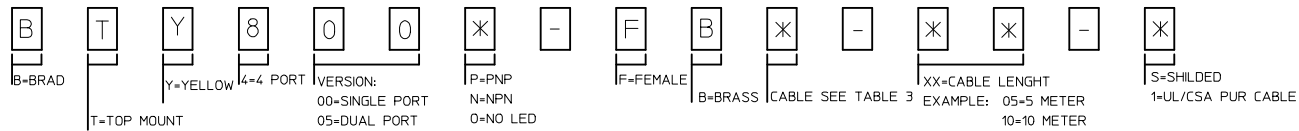


TABLE 3

| CABLE                  | TEM. RANGE STATISCH | TEM. RANGE FLEXIBLE | CABLE DIAMETER (MM) SIGLE (4POLE) 4/6/8 PORT | CABLE DIAMETER (MM) DUAL (5POLE) 4/6/8 PORT | DRAG CHAIN      | UL STYLE |
|------------------------|---------------------|---------------------|--|---|-----------------|----------|
| P=PUR/PVC/Black        | -30°C TO +90°C      | -5°C TO +90°C       | 8.4 ±0.2 / 9.5±0.2 / 9.5 ±0.2                | 9.5 ±0.2 / 9.8 ±0.2 / 11.4 ±0.2             | 1.5 MIO. CYCLES | -        |
| P=PUR/PVC/Black/UL/CSA | -25°C TO +90°C      | -                   | 7.5 ± 0.2                                    | 8.6 ± 0.2                                   | -               | -        |
| N=PVC/GREY             | -                   | -10°C TO +80°C      | 8.4 ± 0.2                                    | 9.5 ± 0.2                                   | 10 MIO. CYCLES  | 2464     |
| I=CEI/GREY             | -5°C TO +70°C       | -                   | 8.4 ± 0.2                                    | 9.5 ± 0.2                                   | -               | -        |
| E=PVC/YELLOW           | -5°C TO +70°C       | -                   | 8.4 ± 0.2                                    | 9.5 ± 0.2                                   | -               | -        |

|  |  |                                       |   |  |              |                        |
|--|--|---------------------------------------|---|--|--------------|------------------------|
| ENTER DESCRIPTION<br>EC NO: IPG2014-0267<br>DRWN:ULETTENMEIER 2013/09/24<br>CHKD:RSILLER 2013/09/25<br>APPR:CBURGER 2013/10/07 | QUALITY SYMBOLS                                      | GENERAL TOLERANCES (UNLESS SPECIFIED) | DIMENSION STYLE   | SCALE  | DESIGN UNITS | FIRST ANGLE PROJECTION |
|  | ▽=0  | m/m INCH                              | MM ONLY   | 1:1  | METRIC       |                        |
|  | ▽=0  | 4 PLACES ± --- ± ---                  | DRAWN BY DATE   | TITLE  |              |                        |
|  |  | 3 PLACES ± --- ± ---                  | ULETTENMEIER 2011/07/12   | MPIS M12 PNP NOS NPN<br>4P 8PT AC FE STR<br>PUR PVC XM |              |                        |
|  | 2 PLACES ± 0.1 ± ---                                 | CHECKED BY DATE                       | DOCUMENT NO.  |  |              |                        |
|  | 1 PLACE ± 0.2 ± ---                                  | ZISMAYILOV 2011/12/14                 | SD-120005-011   |  |              |                        |
|  | 0 PLACE ± --- ± ---                                  | APPROVED BY DATE                      | SHEET NO.   |  |              |                        |
|  | ANGULAR ± 2 °  | CBURGER 2011/12/20                    | 3 OF 3  |  |              |                        |
|  | DRAFT WHERE APPLICABLE MUST REMAIN WITHIN DIMENSIONS | MATERIAL NO.                          | THIS DRAWING CONTAINS INFORMATION THAT IS PROPRIETARY TO MOLEX INCORPORATED AND SHOULD NOT BE USED WITHOUT WRITTEN PERMISSION |  |              |                        |
| A3   |  | SEE TABLE 2                           |   |  |              |                        |