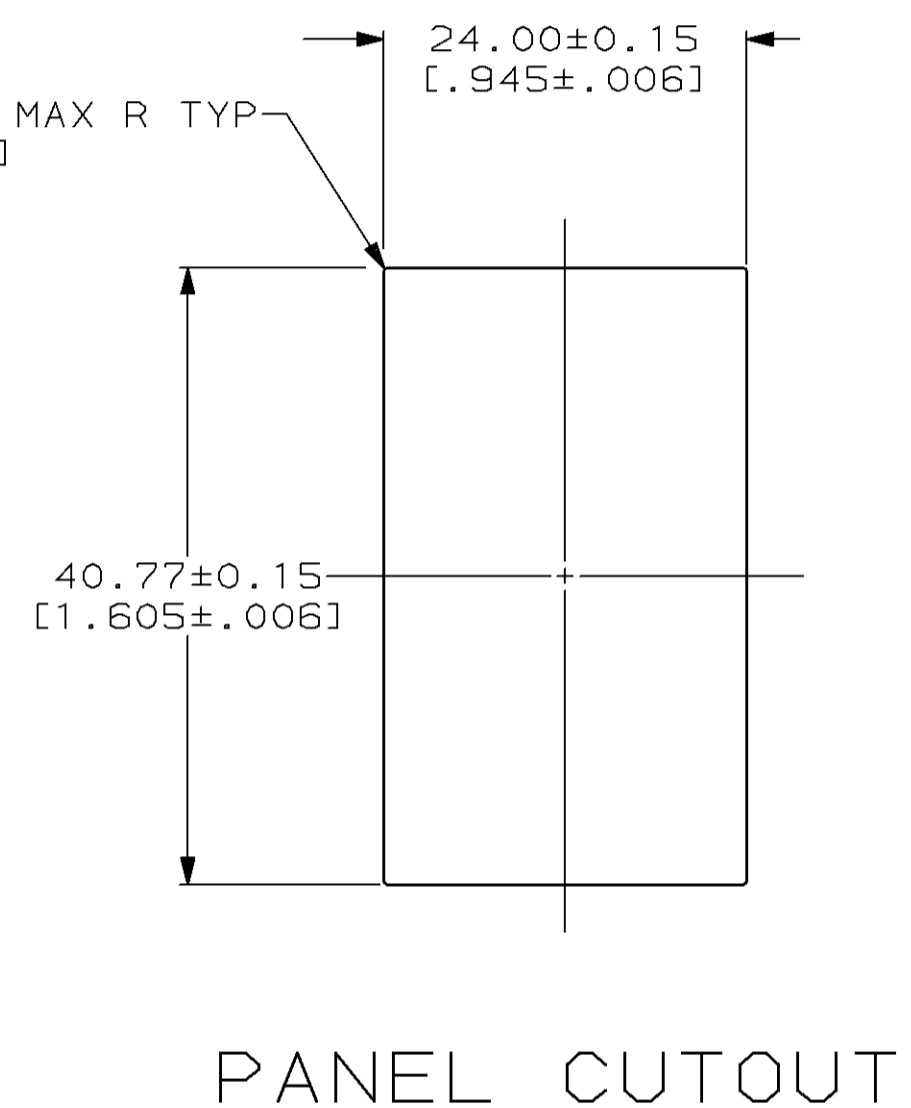
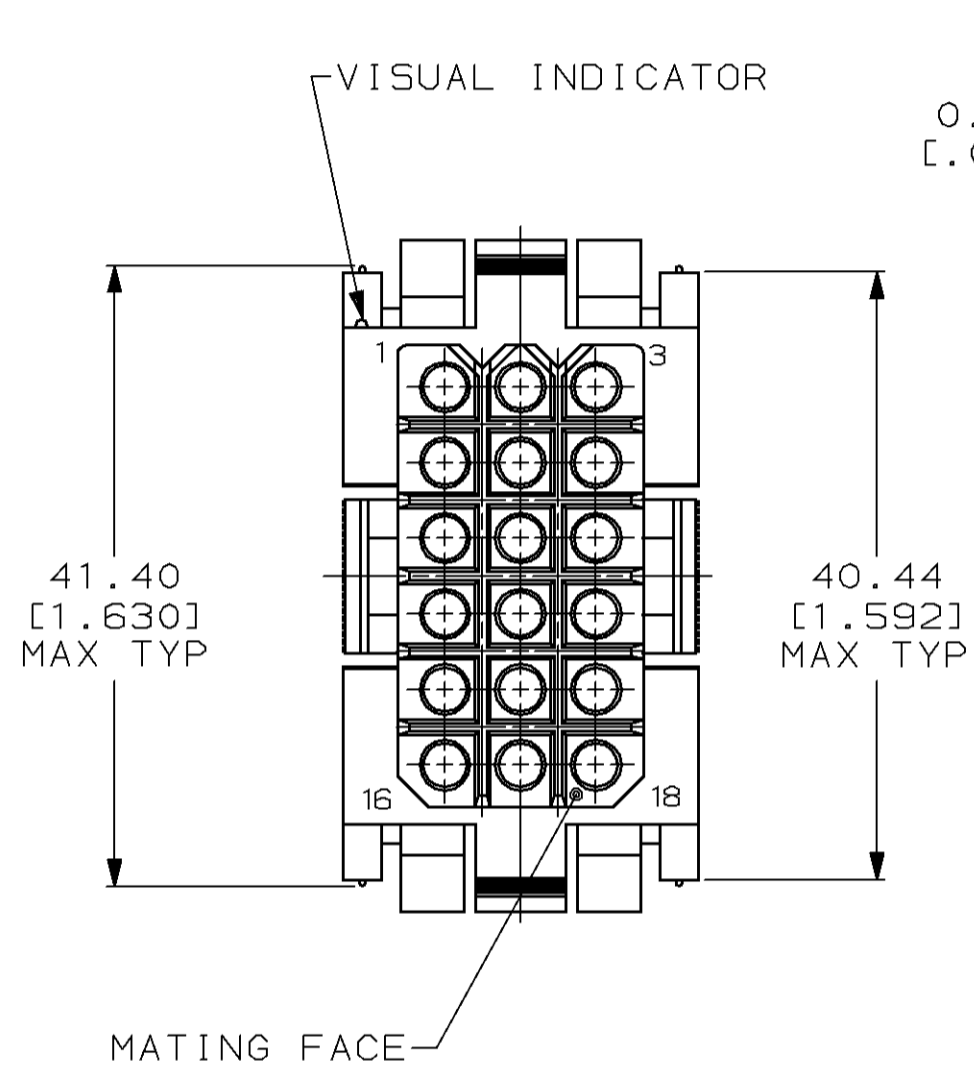
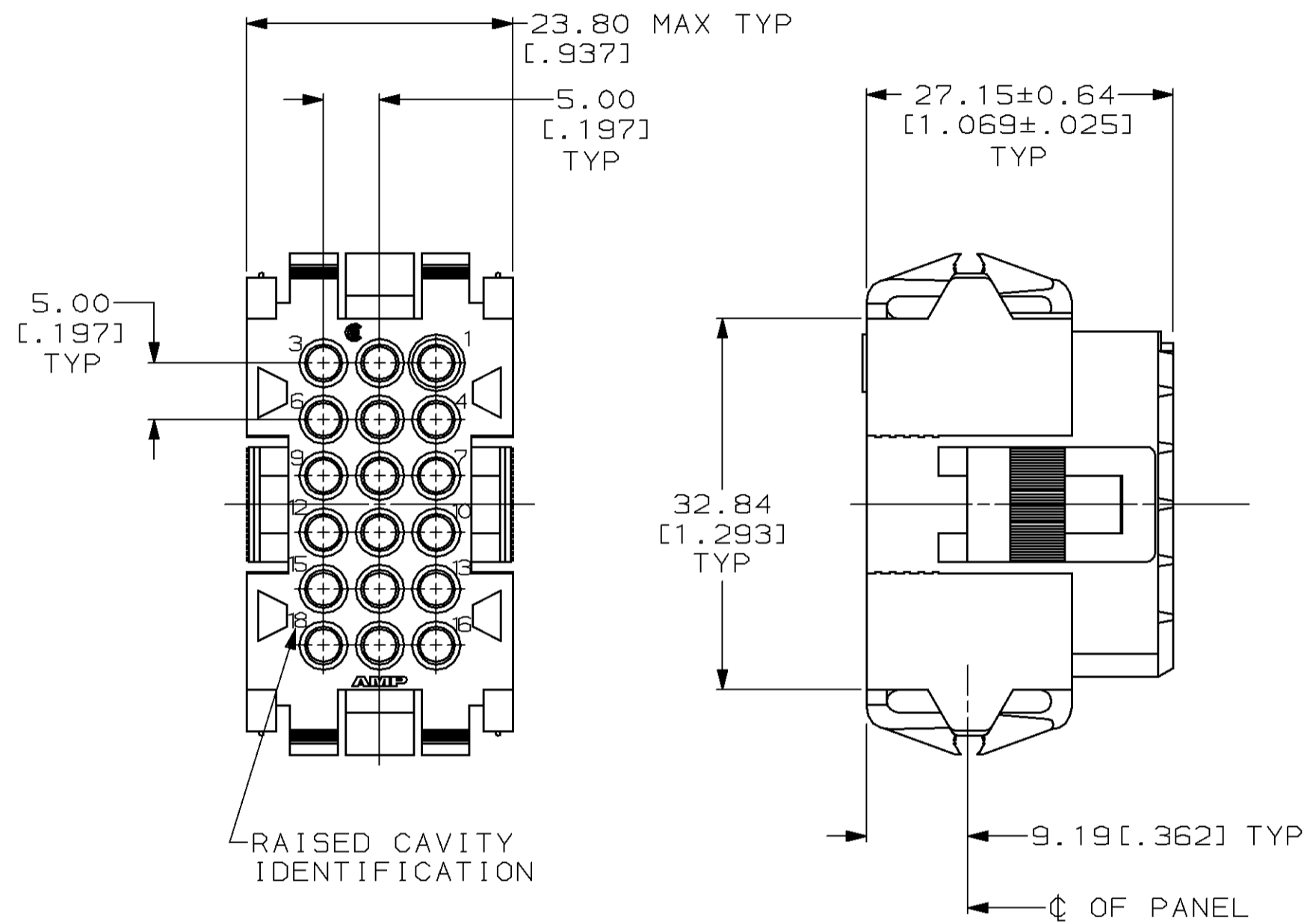


MOD		LOC		DIST		P		F		REVISIONS			
ZONE	LTR	DESCRIPTION		DATE	APPD								
1	BD	37								E	REDRAWN & REVISED PER ECN BD6668	08/26/92	-
										F	REV PER EC 0020-250-94	03/24/94	AT



1. PANEL RETENTION MECHANISM ACCOMMODATES PANEL THICKNESSES FROM 0.76 [0.030] TO 2.29 [0.090].

DO NOT SCALE PRINT. UNLESS SPECIFIED DIMENSIONS IN mm [INCHES] TOLERANCES ON:		DR 08/26/92 W.LENKER		207442-1 PART NO	
2 PLC DEC ± 0.25 [0.010]	3 PLC DEC ± -	CHK 8-31-92 R.STONE	APPD 9-2-92 A.TRAVIS	AMP Incorporated Harrisburg, PA 17105-3608 NAME HOUSING, PLUG, 18 POSITION, METRIMATE	
ANGLES ± -		MATERIAL NYLON, COLOR: RED	APPD 9-3-92 C.ROHDE		
FINISH -		PRODUCT SPEC 108-10033	APPLICATION SPEC -	SIZE C	CAGE CODE 00779
		WEIGHT -		DRAWING NO C=207442	SHEET 1 OF 1

THIS DRAWING IS A CONTROLLED DOCUMENT FOR AMP INCORPORATED. IT IS SUBJECT TO CHANGE AND THE CONTROLLING ENGINEERING ORGANIZATION SHOULD BE CONTACTED FOR THE LATEST REVISION.