

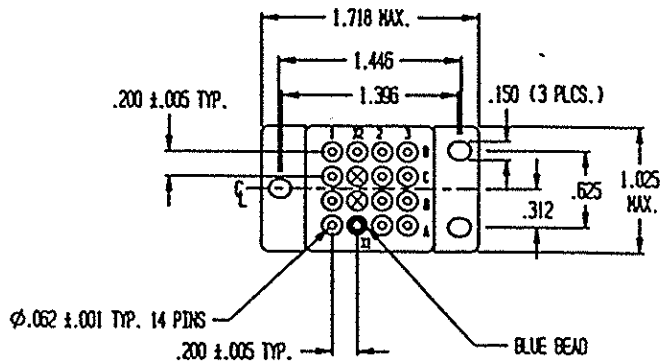
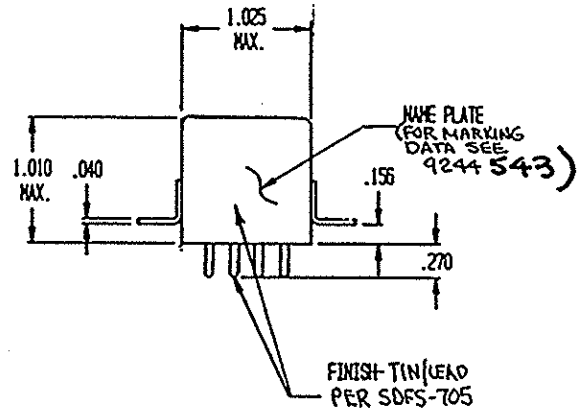
MSD INC.

ENGINEERING DATA SHEET

RELAY TYPE: FCA-410-1620M COMPUTER PART No.: 9244 543 TEST PROCEDURE
 CUSTOMER/SPECIFICATION: M83536/16-020M REV NONE MSDP-790

TEST REQUIREMENTS

COIL RES.: 290 +/- 10% ohms OPERATE TIME: 15 mS Max RELEASE TIME: 15 mS Max
 CONTACT MAKE BOUNCE: 1 mS Max N.O. BREAK BOUNCE: 0.1 mS MAX
 CONTACT STABILIZATION TIME: 2.5 mS Max **RATED COIL VOLTAGE: 28 Vdc**
 CONTACT RES.: MFG TEST: 8 Milliohms @ 10 mA FINAL TEST: 10 Milliohms @ 10 mA
 CONTACT VOLTAGE DROP: FINAL TEST: 100 mV Max @ 10 A - 6 V dc
 HI-POT: 1250 V rms ALL POINTS, EXCEPT 1000 V rms COIL TO CASE
 INSULATION RESISTANCE: 100 Megohms Min @ 500 V dc
 VIBRATION: MIL-STD-202, METHOD 204 (30 G's / 100 - 3000 Hz)
 SEAL TEST: 1X10⁻⁸ Max LEAK RATE COIL TRANSIENT SUPPRESSION: 42 Vdc MAX
 OTHER: _____



Prepared By: Date		Approved By: Date	
LES WYNNE 5-10-96		<i>[Signature]</i> 5-10-96	
Rev	ECN No.	Date	
A	96-065	5-10-96	

SPECIAL INSTRUCTIONS