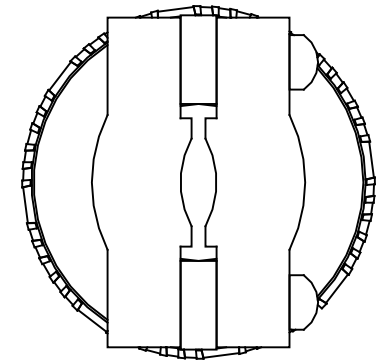
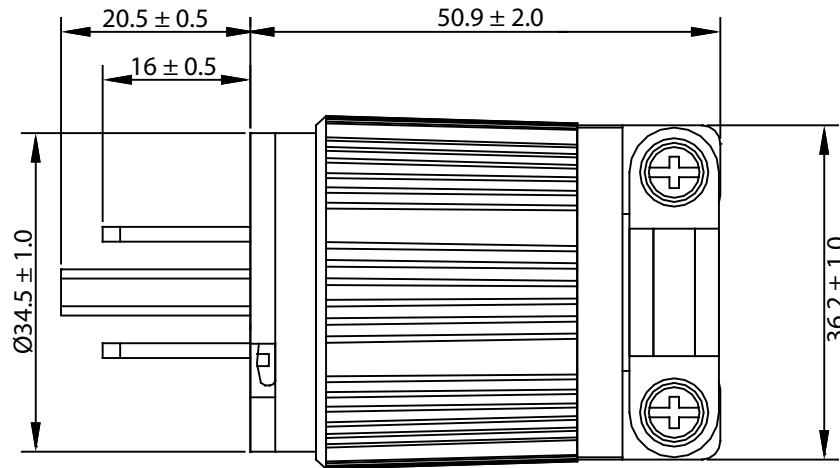
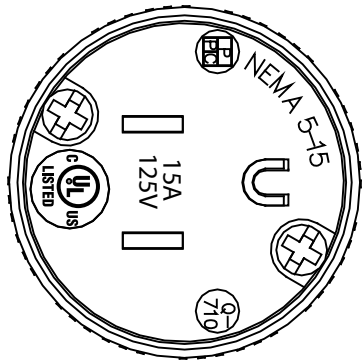


THESE DRAWINGS ARE THE PROPERTY OF QUALTEK ELECTRONICS AND NOT TO BE REPRODUCED FOR OR COMMUNICATED TO A THIRD PARTY WITHOUT THE EXPRESS WRITTEN PERMISSION OF AN OFFICER OF QUALTEK ELECTRONICS.

REVISION			
REV.	DESCRIPTION	DATE	APPROVED
B	Updated Specifications	04-15-09	LY



CONTROLLED

NOTES:

- RATING: 15A 125VAC
- COLOR: BLACK
- CORD CLAMP: ACCEPTS 18/3 - 12/3 CABLE
- TERMINAL I.D.:
 - GROUND TERMINAL SCREW GREEN AND MARKED "GR"
 - LINE TERMINAL SCREW BLACK
 - NEUTRAL TERMINAL SCREW WHITE AND MARKED WITH "W"
- APPROVALS: UL/cUL LISTED: E139592
- ROHS COMPLIANT

Dim range (mm)	Tolerance +/- (mm)	Qualtek Electronics Corp. PPC DIVISION		
		Part Number:	Q-710	RoHS Compliant
0-1	0.15	Description: NEMA 5-15P STRAIGHT BLADE DEVICE		
1-6	0.20			
6-18	0.30	UNIT: mm	REV. B	
18-50	0.50			
50-120	0.70	Drawn / Date	Checked / Date	Approved / Date
120-250	0.90	R.Nuti 02-05-09	02-05-09	LY / 02-05-09
250-500	1.20			