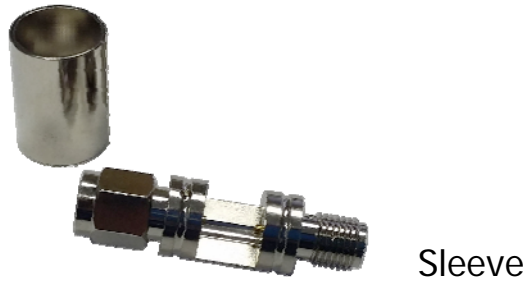


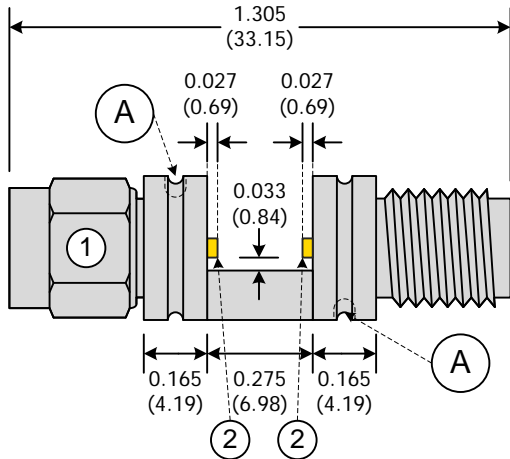


### 1.305" SMA Housing

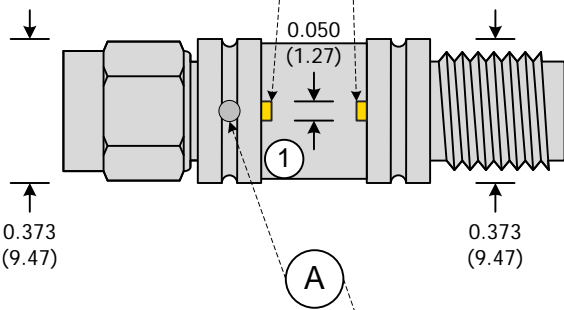
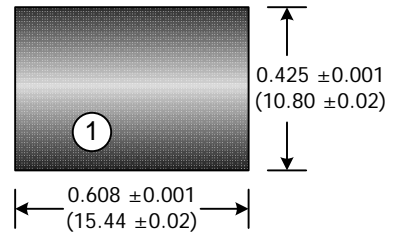


Body

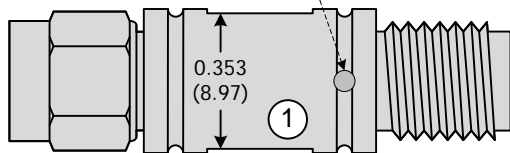
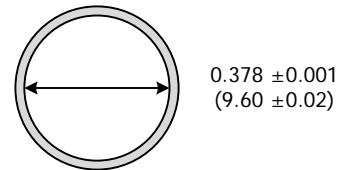
Sleeve



Side View



Top View



Bottom View

SMA Male

SMA Female

**A** Tooling Dimple, 2 Locations, Diameter 0.055 in (1.40 mm), Depth 0.055 in (1.40 mm)  
Provides a cavity for dimpling the sleeve with a center punch. The mechanical contact also provides an electrical contact and shields the internal circuitry in the body.

No.	Description	Qty	Material	Plating
1	Body	1	Brass	Nickel
2	Center Pin	2	Brass	Gold

SMA-KIT-1.3MF Rev. B