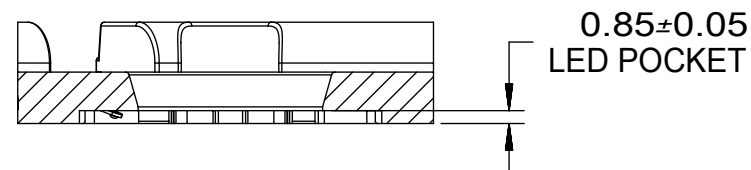
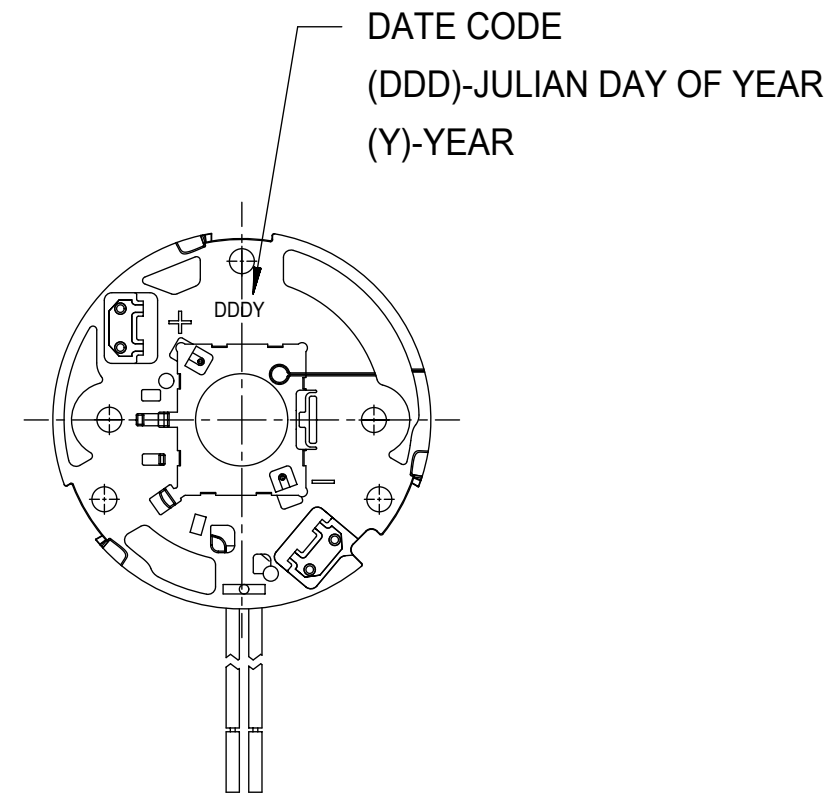
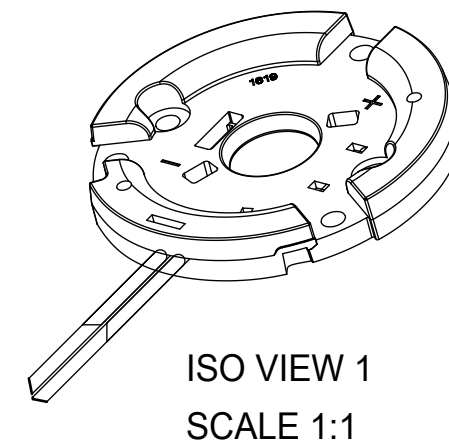


SEE DETAIL 1



DETAIL 1
Scale 2:1



ISO VIEW 1
SCALE 1:1

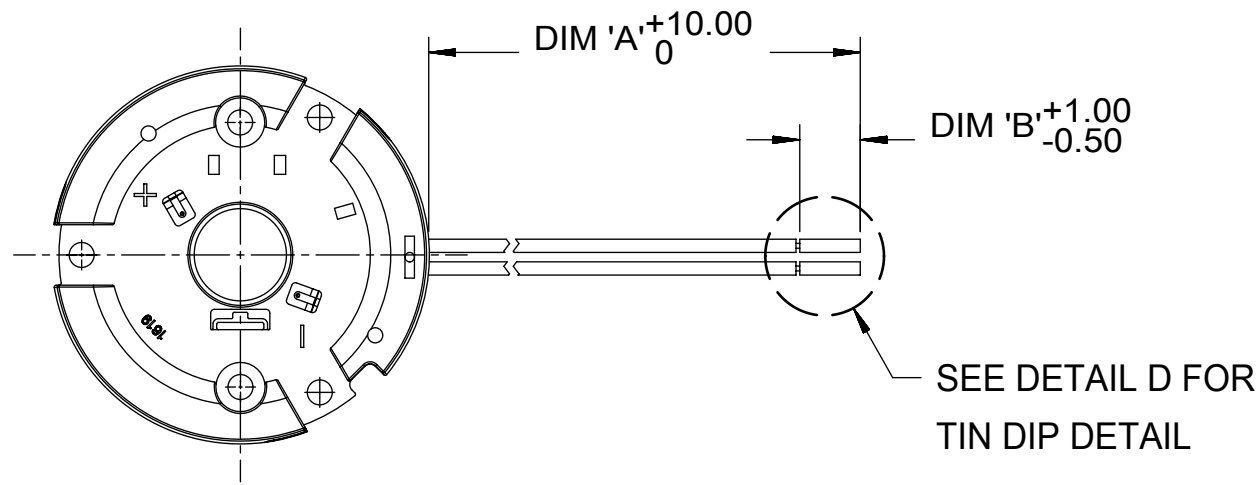
NOTES:

1. MATERIALS: HOUSING: POLYESTER (PBT), GLASS FILLED, UL94 V-0, COLOR: WHITE; TERMINALS: COPPER ALLOY. OPTIONAL: HEAT SHRINK TUBING
2. PLATING: TERMINAL CONTACT : SELECT GOLD (Au) OVER NICKEL (Ni).
3. WIRE SPECIFICATION: UL 3266, 125C, 300V, 20AWG
4. PRODUCT SPECIFICATION: PS-180555-002
5. PACKAGING SPECIFICATION: PK-180559-013 AND PK-180559-014.
6. APPLICATION SPECIFICATION: AS-180555-200.
7. DESIGNED TO BE USED WITH LUMILEDS COB 1202/1203.
8. MOUNT HOLDER UTILIZING M3 SCREWS, TORQUE: 0.4 MINIMUM NEWTON METERS, 0.8 NEWTON METERS MAX.
9. UL 8754 RECOGNITION PENDING. FILE NUMBER: TBD
10. THIS PRODUCT IS ELV AND ROHS COMPLIANT
11. ALL DIMENSIONS IN PARENTHESIS (XX.XX) ARE FOR REFERENCE ONLY.

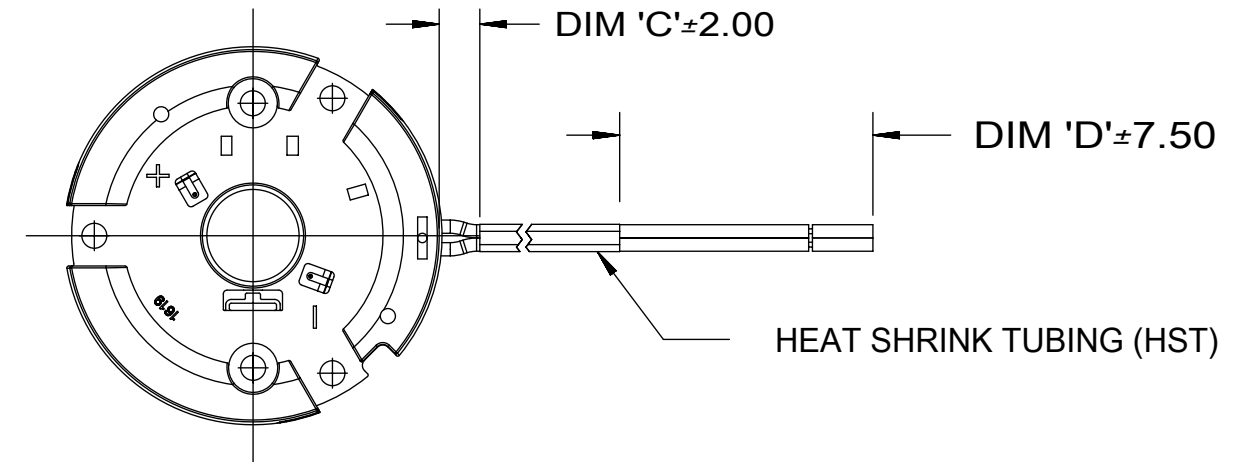
THIS DRAWING CONTAINS INFORMATION THAT IS PROPRIETARY TO MOLEX ELECTRONIC TECHNOLOGIES, LLC AND SHOULD NOT BE USED WITHOUT WRITTEN PERMISSION													
QUALITY SYMBOLS ▽ = 0 ▽ = 0 ▽ = 0 ▼ = 0 ▽ = 0 ⊠ = 0 ■ = 0 ▽ = 0	EC NO: 108665 DRWN: LZABJANOVSKI CHK'D: APPR: GMEYER	2016/09/08 2016/09/21	GENERAL TOLERANCES (UNLESS SPECIFIED)		DIMENSION UNITS	SCALE							
			ANGULAR TOL ± 0.5 °		MM	1:1							
			4 PLACES ±	DRWN BY		DATE		SLIMRAY COB HOLDER ASSEMBLY 16MM X 19MM					
			3 PLACES ±	MDEVITO001		2015/02/20							
			2 PLACES ± 0.13	CHK'D BY		DATE							
			1 PLACE ± 0.25	GMEYER		2015/04/15		PRODUCT CUSTOMER DRAWING					
			0 PLACES ±	APPR BY		DATE							
			DRAFT WHERE APPLICABLE MUST REMAIN WITHIN DIMENSIONS		GMEYER		2015/04/15		SERIES	MATERIAL NUMBER	CUSTOMER		
			B		THIRD ANGLE PROJECTION		180555	SEE CHART	GENERAL MARKET				
			DOCUMENT NUMBER		DOC TYPE		DOC PART	SHEET NUMBER					
SD-180555-131		PSD		000	1 OF 3								

RELEASE STATUS	RELEASE DATE
----------------	--------------

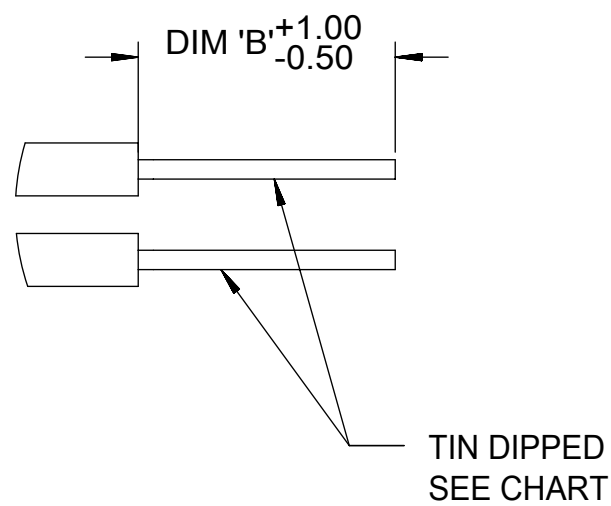
MOLEX PART NUMBER	DESCRIPTION	WIRE LENGTH	WIRE TYPE	FINISH	HEAT SHRINK TUBING	DIM. 'A'	DIM. 'B'	DIM. 'C'	DIM. 'D'
180555-1031	COB HOLDER W/O TUBING	600	STRANDED	TIN DIPPED	NO	600	8.5	X	X
180555-1033	COB HOLDER WITH HST	600	STRANDED	TIN DIPPED	YES (BLK)	600	8.5	5	22.5
180555-1034	COB HOLDER W/O TUBING	250	STRANDED	TIN DIPPED	NO	250	8.5	X	X
180555-1038	COB HOLDER WITH HST	600	STRANDED	TIN DIPPED	YES (WHT)	600	8.5	5	22.5



COB HOLDER WITHOUT HEAT SHRINK TUBING



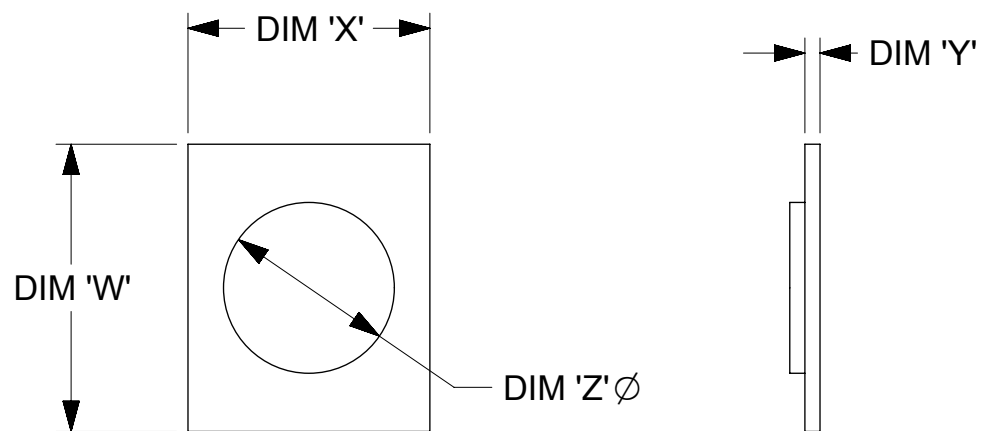
COB HOLDER WITH HEAT SHRINK TUBING



DETAIL D
Scale 4:1

THIS DRAWING CONTAINS INFORMATION THAT IS PROPRIETARY TO MOLEX ELECTRONIC TECHNOLOGIES, LLC AND SHOULD NOT BE USED WITHOUT WRITTEN PERMISSION												
QUALITY SYMBOLS ▽ = 0 ▽ = 0 ▽ = 0 ▼ = 0 ▽ = 0 ⊠ = 0 ■ = 0 ▽ = 0	EC NO: 108665	DRWN: LZABJANOVSKI	CHKD: GMEYER	APPR: GMEYER	2016/09/08	2016/09/21	GENERAL TOLERANCES (UNLESS SPECIFIED)		DIMENSION UNITS	SCALE		
					4 PLACES	±	MM	1 : 1				
					3 PLACES	±	DRWN BY		DATE			
					2 PLACES	± 0.13	MDEVITO001	2015/02/20				
					1 PLACE	± 0.25	CHK'D BY		DATE	SLIMRAY COB HOLDER ASSEMBLY 16MM X 19MM		
					0 PLACES	±	GMEYER	2015/04/15				
					DRAFT WHERE APPLICABLE MUST REMAIN WITHIN DIMENSIONS			APPR BY		DATE	PRODUCT CUSTOMER DRAWING	
					DRAWING SIZE		THIRD ANGLE PROJECTION		SERIES		MATERIAL NUMBER	CUSTOMER
					B				180555	SEE CHART	GENERAL MARKET	
					REV		A3		DOCUMENT NUMBER		DOC TYPE	DOC PART
								SD-180555-131		PSD	000	2 OF 3

COB MFG	TYPE	DIM 'W'	DIM 'X'	DIM 'Y'	DIM 'Z'
LUMILEDS	LUXEON 1202/1203	19.0	16.0	1.0	11.3
NICHIA	NFC*L036B*	19.0	16.0	1.0	10.7



COB LED

QUALITY SYMBOLS	THIS DRAWING CONTAINS INFORMATION THAT IS PROPRIETARY TO MOLEX ELECTRONIC TECHNOLOGIES, LLC AND SHOULD NOT BE USED WITHOUT WRITTEN PERMISSION											
▽ = 0	EC NO: 108665 DRWN: LZABJANOVSKI CHK'D: APPR: GMEYER	2016/09/08 2016/09/21	GENERAL TOLERANCES (UNLESS SPECIFIED)		DIMENSION UNITS	SCALE						
▽ = 0			ANGULAR TOL ± 0.5 °		MM	NTS						
▽ = 0			4 PLACES ±	DRWN BY DATE		MDEVITO001					2015/02/20	
▽ = 0			3 PLACES ±		CHK'D BY DATE		GMEYER	2015/04/15	SLIMRAY COB HOLDER ASSEMBLY 16MM X 19MM			
▽ = 0			2 PLACES ± 0.13		APPR BY DATE		GMEYER	2015/04/15				
▽ = 0			1 PLACE ± 0.25		DRAWING SIZE		B	THIRD ANGLE PROJECTION	PRODUCT CUSTOMER DRAWING			
▽ = 0			0 PLACES ±		DRAFT WHERE APPLICABLE MUST REMAIN WITHIN DIMENSIONS							
□ = 0			A3		REV		3		SERIES	MATERIAL NUMBER	CUSTOMER	
■ = 0			A3		REV		3		180555	SEE CHART	GENERAL MARKET	
▽ = 0			A3		REV		3		DOCUMENT NUMBER	DOC TYPE	DOC PART	SHEET NUMBER
▽ = 0	A3		REV		3		SD-180555-131	PSD	000	3 OF 3		

RELEASE STATUS	P1	RELEASE DATE	21.09.2016	20:40:44
----------------	----	--------------	------------	----------