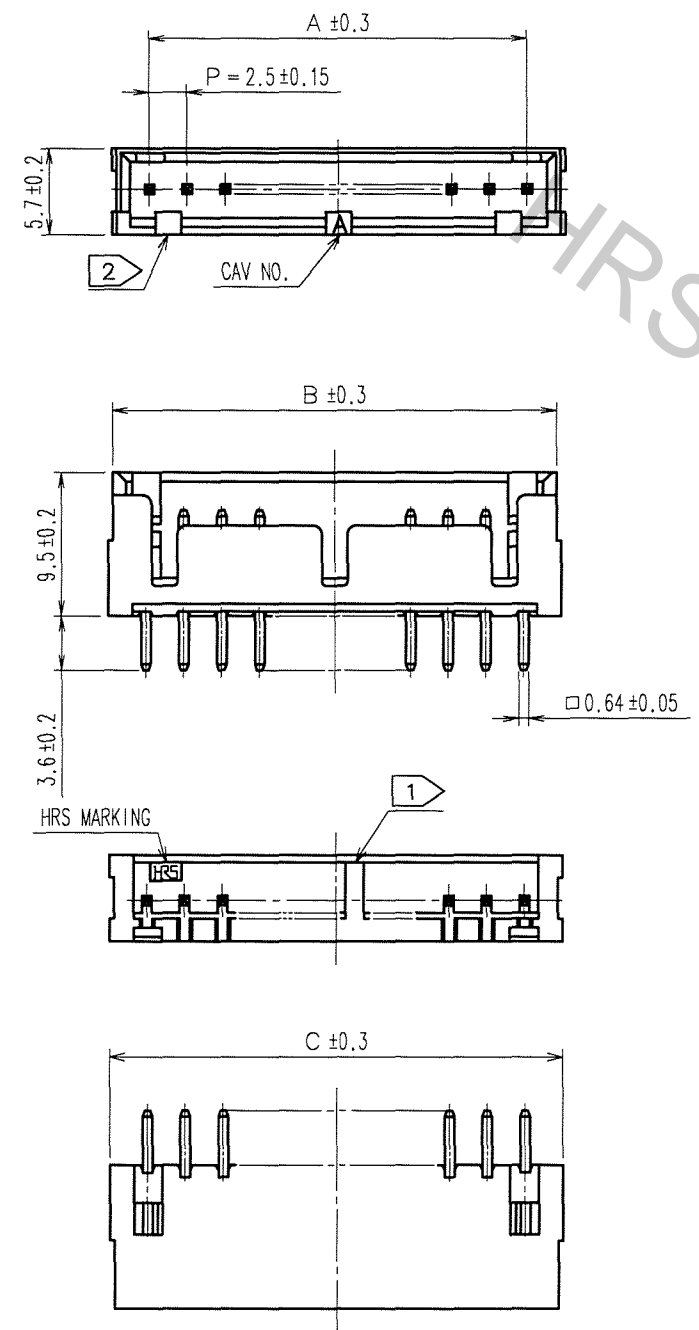
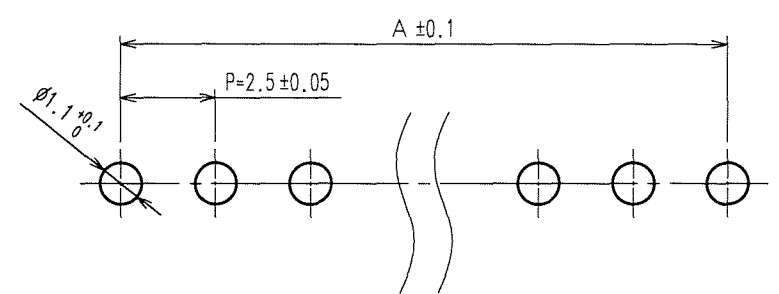


Apr.1.2017 Copyright 2017 HIROSE ELECTRIC CO., LTD. All Rights Reserved.

COUNT	DESCRIPTION OF REVISIONS	BY	CHKD	DATE	COUNT	DESCRIPTION OF REVISIONS	BY	CHKD	DATE
△				..	△				..
△				..	△				..
△				..	△				..



RECOMMENDED PATTERN(5:1)



PART NO.	CODE NO.	CONTACT NO.	A	B	C
DF1B- 2P-2.5DSA(01)	CL541-0225-7-01	2	2.5	6.9	7.5
DF1B- 3P-2.5DSA(01)	CL541-0226-0-01	3	5.0	9.4	10.0
DF1B- 4P-2.5DSA(01)	CL541-0227-2-01	4	7.5	11.9	12.5
DF1B- 5P-2.5DSA(01)	CL541-0228-5-01	5	10.0	14.4	15.0
DF1B- 6P-2.5DSA(01)	CL541-0229-8-01	6	12.5	16.9	17.5
DF1B- 7P-2.5DSA(01)	CL541-0230-7-01	7	15.0	19.4	20.0
DF1B- 8P-2.5DSA(01)	CL541-0231-0-01	8	17.5	21.9	22.5
DF1B- 9P-2.5DSA(01)	CL541-0232-2-01	9	20.0	24.4	25.0
DF1B-10P-2.5DSA(01)	CL541-0233-5-01	10	22.5	26.9	27.5
DF1B-11P-2.5DSA(01)	CL541-0234-8-01	11	25.0	29.4	30.0
DF1B-12P-2.5DSA(01)	CL541-0235-0-01	12	27.5	31.9	32.5
DF1B-13P-2.5DSA(01)	CL541-0236-3-01	13	30.0	34.4	35.0
DF1B-14P-2.5DSA(01)	CL541-0237-6-01	14	32.5	36.9	37.5
DF1B-15P-2.5DSA(01)	CL541-0238-9-01	15	35.0	39.4	40.0
DF1B-16P-2.5DSA(01)	CL541-0239-1-01	16	37.5	41.9	42.5
DF1B-18P-2.5DSA(01)	CL541-0240-0-01	18	42.5	46.9	47.5
DF1B-20P-2.5DSA(01)	CL541-0241-3-01	20	47.5	51.9	52.5

NOTES ①: WHEN THE NUMBERS OF CONTACTS IS ODD.  
THE STAND-OFF SHIFTS 1.25 RIGHTWARD.  
(STAND-OFF AVAILABLE FROM 4 POSITIONS UP.)  
②: 2 POSITIONS AND 3 POSITIONS HEADERS HAVE 1 POLARIZING SLOT AT CENTER.  
TO 6 POSITIONS FROM 4 POSITIONS HAVE 2 POLARIZING SLOTS.  
OTHER POSITIONS HAVE 3 POLARIZING SLOTS AS PER DRAWING.

TO

1	POLYAMIDE	UL94V-0, NATURAL (WHITE)	2	BRASS	SURFACE: GOLD PLATED 0.2μm min UNDER PLATING: NICKEL PLATED 1μm min	
NO.	MATERIAL	FINISH, REMARKS	NO.	MATERIAL	FINISH, REMARKS	
CODE NO. (OLD)			DRAWN	DESIGNED	CHECKED	APPROVED
			A.Miura	A.Miyazaki	H. Imehara	J. Oma
			'06.08.05	'06.08.05	'06.08.05	'06.08.05
DRAWING NO.			PART NO.			
EDC3-071798-03			DF1B-*P-2.5DSA(01)			
SCALE			CODE NO.			
5 : 1			CL541-			
UNITS						
mm						