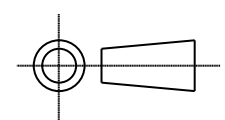


ISS.	DATE	E.C.N.	DESCRIPTION
1	17-Apr-07		FIRST ISSUE
2	23-May-08	40/08/1217	CENTRE LENS HEIGHT AND RADIUS INCREASED

© 2008 CARCLO
ALL DIMENSIONS IN mm



CUSTOMER DRAWING



CARCLO TECHNICAL PLASTICS (SLOUGH)
111 BUCKINGHAM AVE, SLOUGH
SL1 4PF, ENGLAND
TEL: +44 1753 575011 FAX: +44 1753 811359
e-mail: design@carclo-optics.com}

GENERAL TOLERANCES (UNLESS STATED)

LINEAR	ANGULAR
X +/- 0.25	X +/- 1°
X.X +/- 0.1	X.X +/- 0.5°
X.XX +/- 0.05	X.XX +/- 0.1°

CUSTOMER

CARCLO

TITLE

SOFT WIDE BEAM
FROSTED 20MM DIA OPTIC

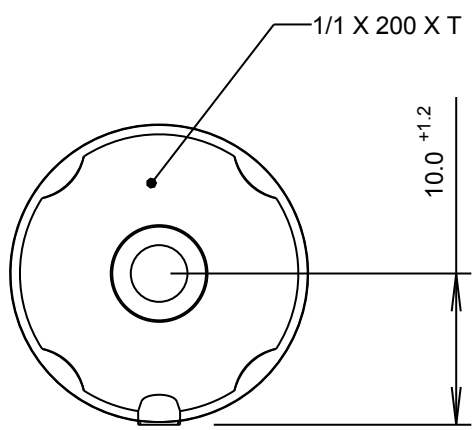
DRAWN **AJD** DATE **17-Apr-07**

CHK'D _____ DATE _____

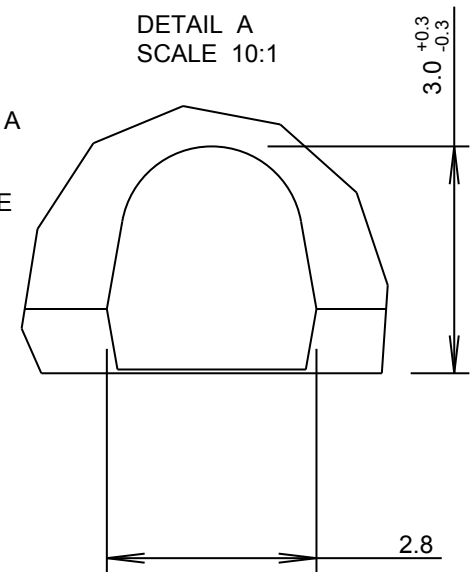
APP'D _____ DATE _____

SCALE **2:1** CARCLO PART No. **10140**

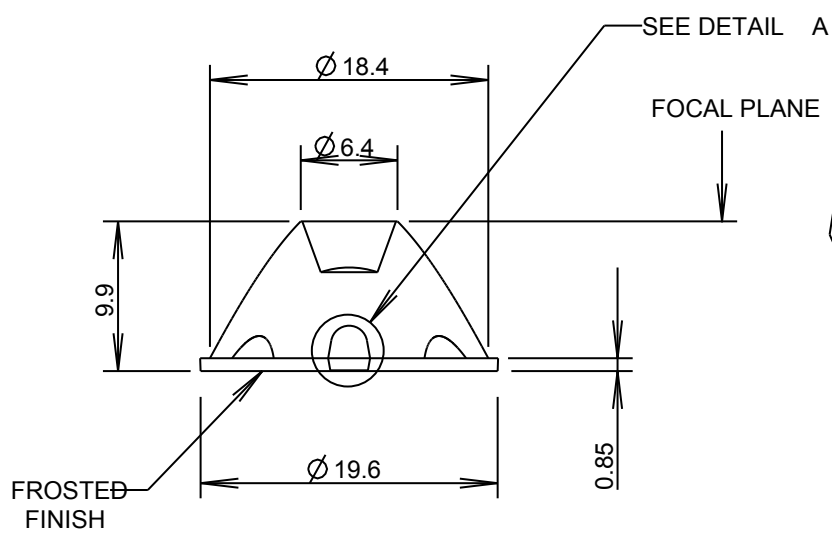
SIZE **A4** CARCLO DRG. No. **60460** SHEET **1 OF 1**



3D VIEW
SCALE 1:1



DETAIL A
SCALE 10:1



NOTES:
1. MATERIAL - UV STABILISED POLYCARBONATE
2. INCLUSIONS SPECIFIED TO BS4301