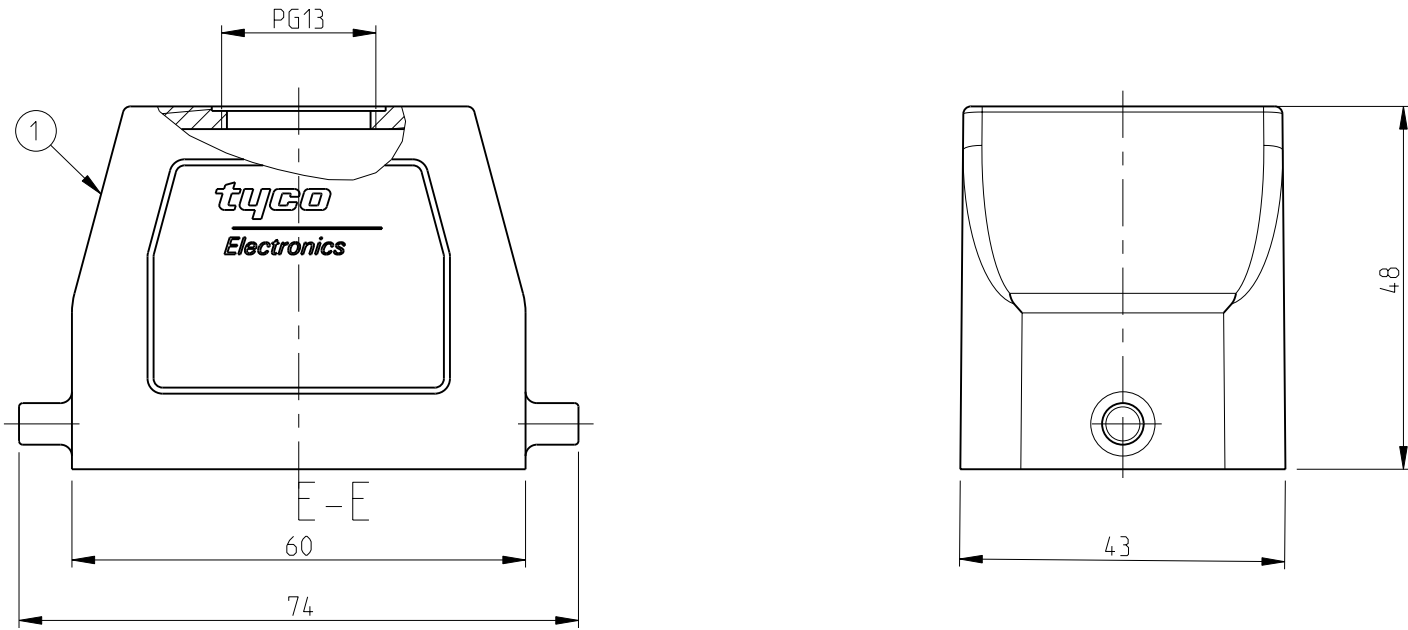


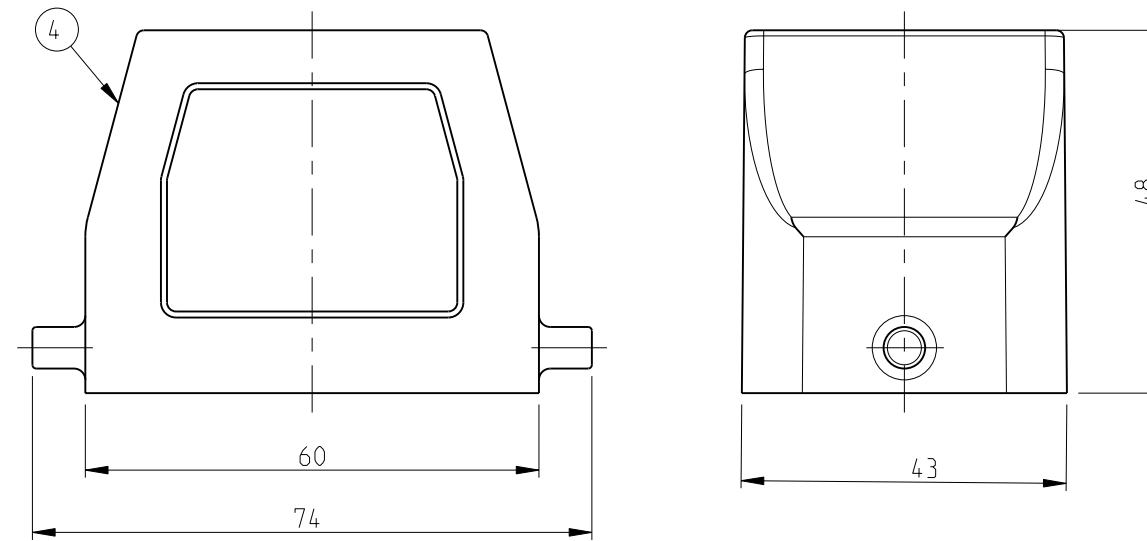
THIS DRAWING IS UNPUBLISHED. RELEASED FOR PUBLICATION 1999  
 © COPYRIGHT 1998 BY TYCO ELECTRONICS CORPORATION. ALL RIGHTS RESERVED.

LOC		DIST		REVISIONS			
P	LTR	DESCRIPTION	DATE	DWN	APVD		
A	1	Released as per ECR-08-005944	06.Mar.2008	SP	TS		

PN 0-1



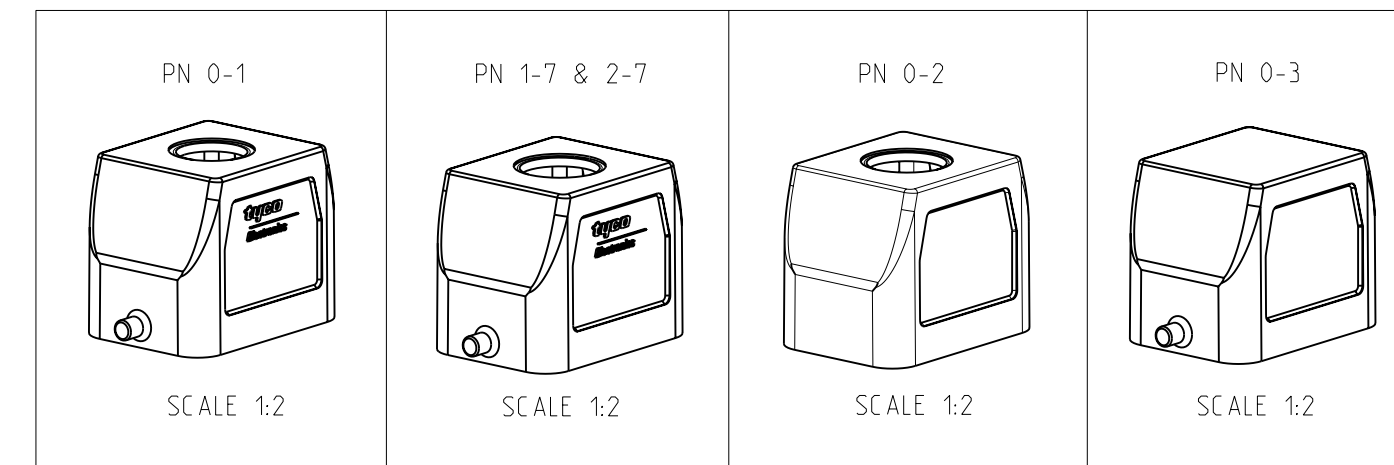
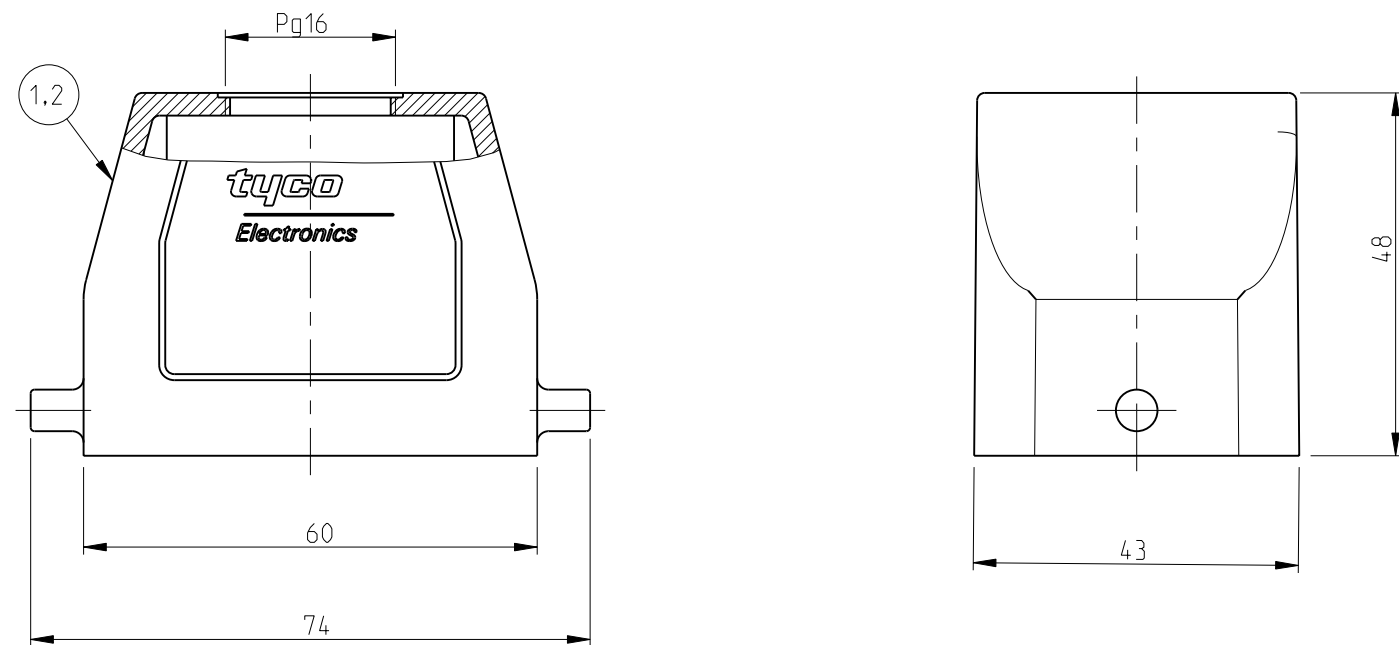
PN 0-3



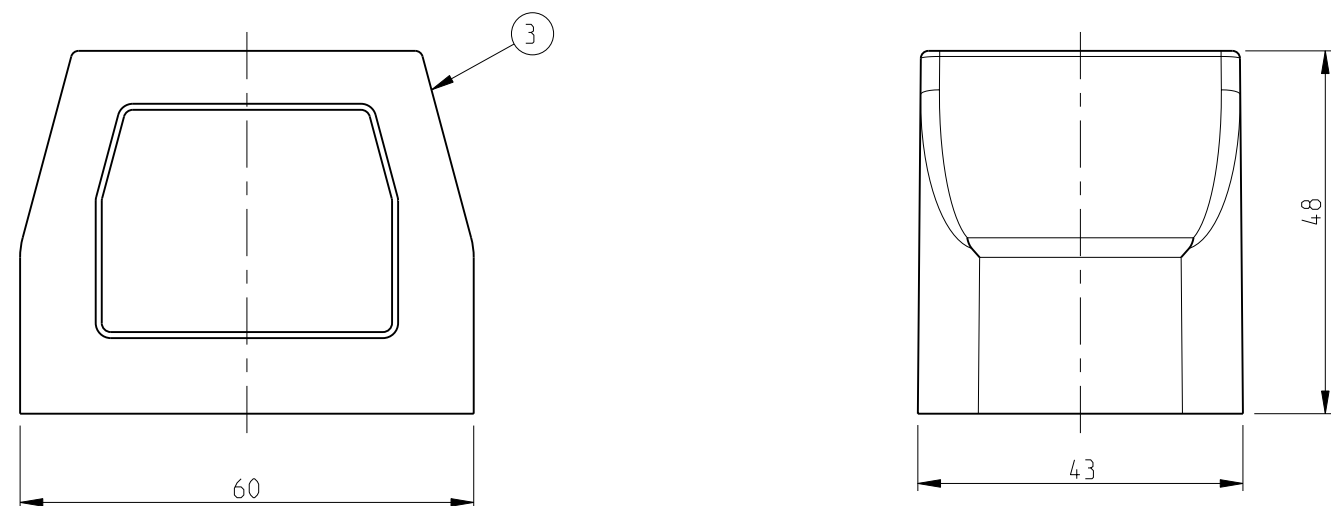
Notes

- 1 Material: Housing: Aluminium diecasting alloy
- 2 Surface:- Varnish-grey  
Aluminium oxide+  
Varnish black/White
- 3 Varnish on the inside not necessary
- 4 Packaging  
Packaging quantity: 5 pieces in a box

PN 1-7 & 2-7



PN 0-2



QTY	ITEM NO	DESCRIPTION	MATERIAL	SURFACE	COLOR	ITEM NO	NOTES
1	1	Hood HB-K	Aluminium	Aluminium oxide	Black	4	Without PG-Thread
		Hood HB	Aluminium	Aluminium oxide	White	3	Without bolt
	1	Hood HB	Aluminium		Grey	2	
	1	Hood HB-K	Aluminium	Aluminium oxide	Black	1	

ORDERING TEXT  
 HB-K.6.STO.1.13.G  
 HB.6.STO.1.16.G  
 HB-K.6.STO.1.16.G  
 HB.6.STO.1.16.G  
 HB-K.6.ST

THIS DRAWING IS A CONTROLLED DOCUMENT FOR TYCO ELECTRONICS CORPORATION  
 IT IS SUBJECT TO CHANGE AND THE CONTROLLING ENGINEERING ORGANIZATION  
 SHOULD BE CONTACTED FOR THE LATEST REVISION.

DWN Schneider 14.03.00  
 CHK Schweiger 14.03.00  
 APVD

Tyco Electronics,AMP.GmbH  
 D-53819,Neunkirchen,Germany

NAME: Hood HB.6.STO.1.13/16.G

PRODUCT SPEC  
 APPLICATION SPEC  
 WEIGHT  
 CUSTOMER DRAWING

SIZE: A2  
 CAGE CODE: 00779  
 DRAWING NO: 1102243  
 RESTRICTED TO

SCALE: 1:1  
 SHEET: 1 OF 1  
 REV: A5