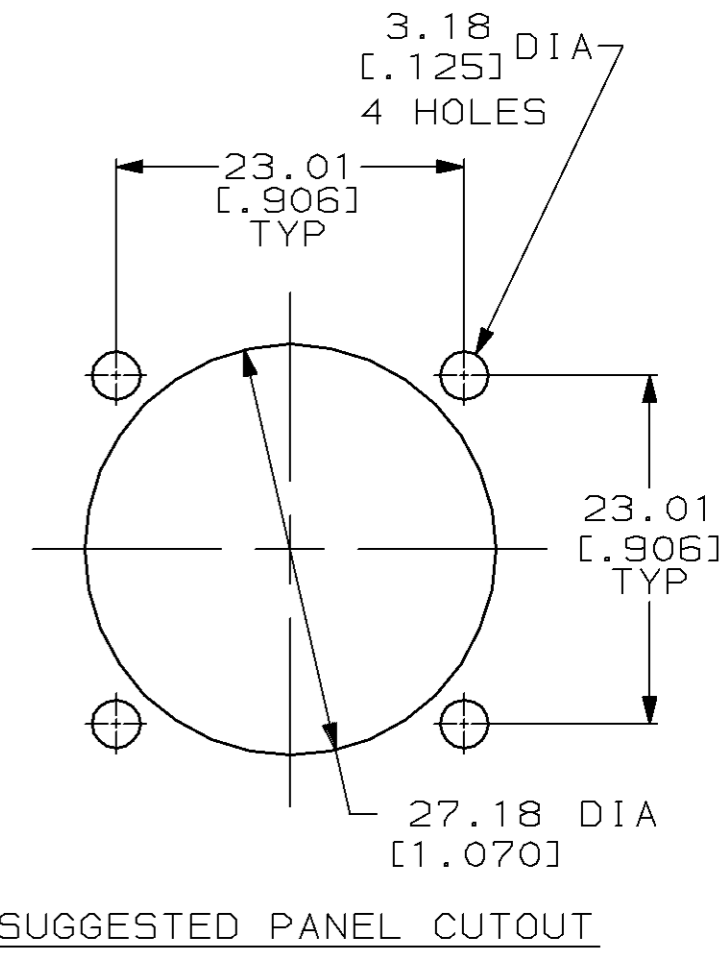
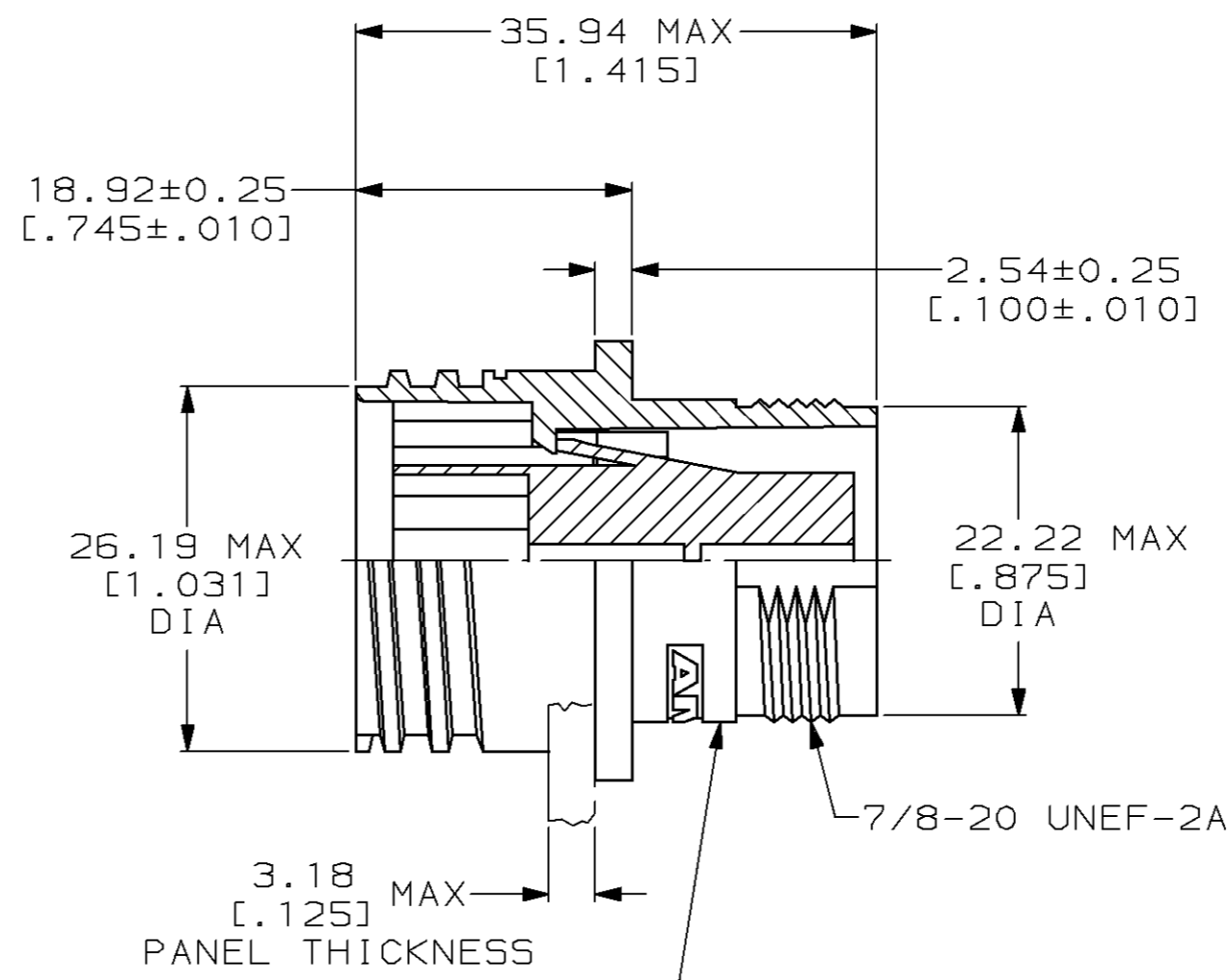
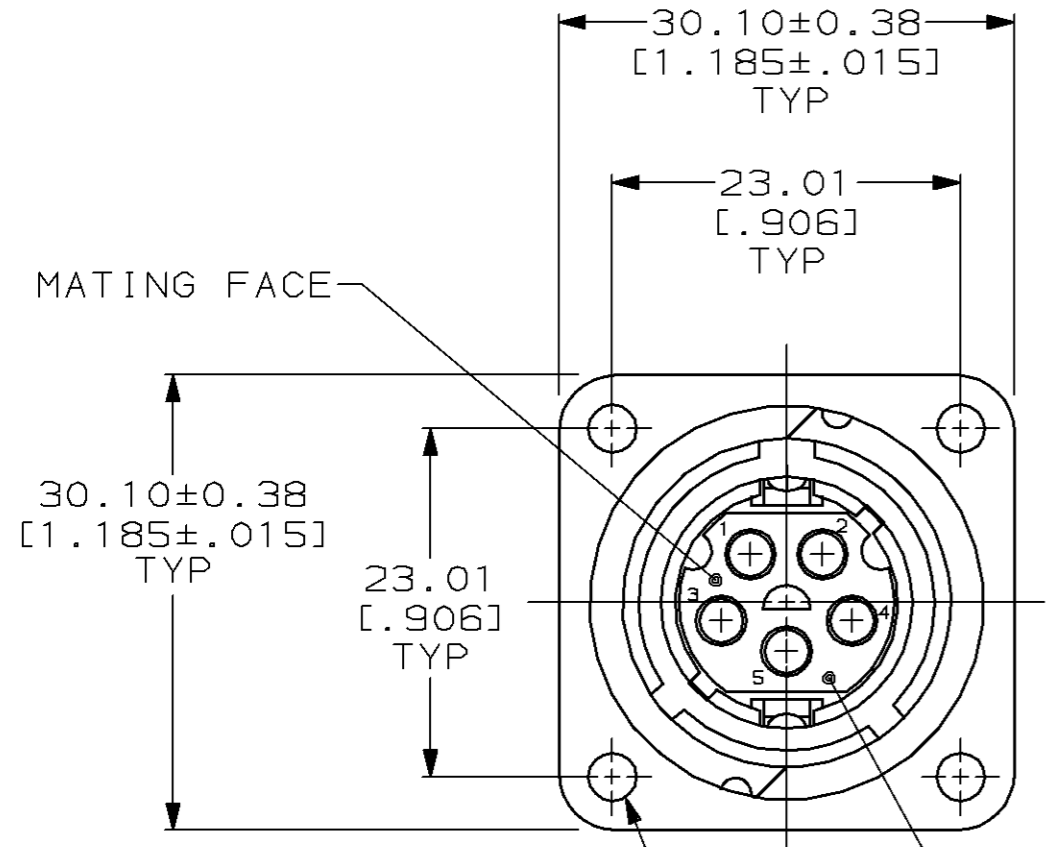


THIS DRAWING IS UNPUBLISHED. RELEASED FOR PUBLICATION, 19 .
© COPYRIGHT 19 BY AMP INCORPORATED. ALL INTERNATIONAL RIGHTS RESERVED.

MOD	LOC	DIST	P	F	REVISIONS				
					ZONE	LTR	DESCRIPTION	DATE	APPD
4	BD	35				D	REDRAWN W/O CHANGE PER EC 0020-774-94	09/07/94	AF



SOCKET HOUSING MATERIAL: THERMOPLASTIC COLOR: BLACK

RECEPTACLE SHELL MATERIAL: ZINC PER QQ-Z-363 FINISH: NICKEL PER QQ-N-290 OVER COPPER PER MIL-C-14550

1. THIS CONNECTOR ACCEPTS FIVE (5) SIZE 16 MULTIMATE PIN CONTACTS. MAXIMUM WIRE INSULATION DIA = 3.43 [.135].
2. RECEPTACLE MATES WITH AMP PART NUMBER 208718-1.
3. AMP PART NUMBER & DATE CODE TO BE LOCATED ON EDGE OF FLANGE.

THIS DRAWING IS A CONTROLLED DOCUMENT FOR AMP INCORPORATED. IT IS SUBJECT TO CHANGE AND THE CONTROLLING ENGINEERING ORGANIZATION SHOULD BE CONTACTED FOR THE LATEST REVISION.

DO NOT SCALE PRINT. UNLESS SPECIFIED DIMENSIONS IN mm [INCHES] TOLERANCES ON: 2 PLC DEC ± 0.13 [.005] 3 PLC DEC ± - ANGLES ± -		DR 09-07-94 D.HARDY	AMP AMP Incorporated Harrisburg, PA 17105-3608
MATERIAL SEE CALLOUTS		CHK 09-09-94 R.STONE	
FINISH SEE CALLOUTS		APPD 09-30-94 A.FRANTUM	NAME RECEPTACLE ASSEMBLY, 14-5, STANDARD SEX, CMC
		APPD 09-30-94 A.FRANTUM	SIZE B CAGE CODE 00779 DRAWING NO C-208719
		PRODUCT SPEC -	SCALE 2:1 SHEET 1 OF 1
		APPLICATION SPEC -	
		WEIGHT -	

208719-1
PART NO