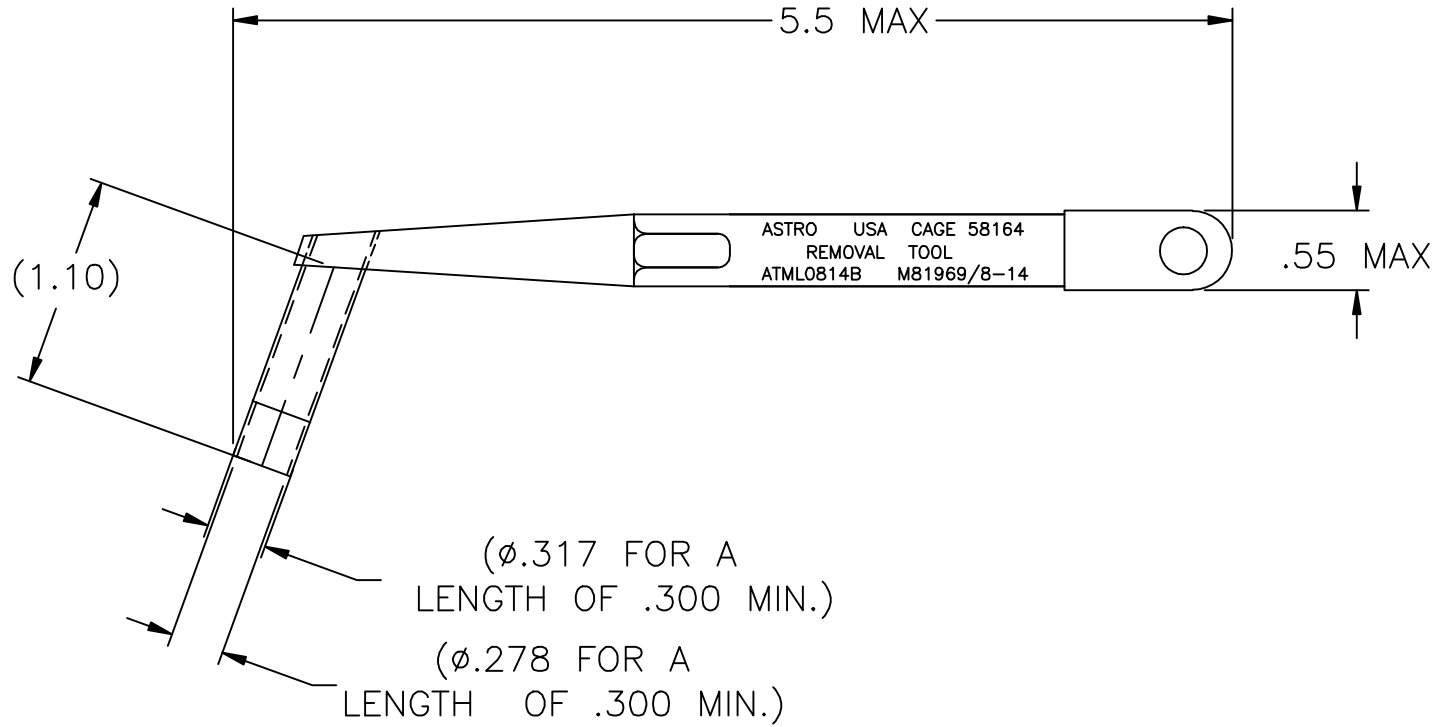


**UNCONTROLLED DOCUMENT**  
**WILL NOT BE UPDATED**

# ATML0814B-ENV



3. WITH TIPS CLOSED AROUND A .2770 +.0000/- .0002  $\phi$  PIN, MAX GAP BETWEEN TIPS TO BE .002.
2. COLOR CODE: RED AND WHITE.

NOTES: 1. THIS IS AN AUTOCAD DRAWING, DO NOT CHANGE MANUALLY.

					<p>THESE DRAWINGS, SPECIFICATIONS OR OTHER DATA ARE AND REMAIN, THE PROPERTY OF ASTRO TOOL CORP. AND MUST BE RETURNED UPON REQUEST. THEY CONTAIN INFORMATION OWNED AND/OR DEVELOPED BY ASTRO AT ITS OWN PRIVATE EXPENSE AND MAY NOT BE USED, DUPLICATED OR DISCLOSED TO OTHERS, IN WHOLE OR IN PART FOR DESIGN, MANUFACTURE OR PROCUREMENT WITHOUT THE WRITTEN PERMISSION OF ASTRO TOOL CORP. EACH AND EVERY TIME.</p>	<p>SCALE: N.T.S.</p> <p>DWN BY: DYO</p> <p>DATE: 02-10-12</p> <p>APPROVED:</p>	<p>UNLESS OTHERWISE SPECIFIED: DECIMALS: .XXX <math>\pm</math> .005 .XX <math>\pm</math> .010 .X <math>\pm</math> .030</p> <p>ANGLES: <math>\pm</math> 1°</p>	<p>CAGE 58164</p> <p><b>ASTRO TOOL CORP.</b> 21615 S.W. TUALATIN VALLEY HWY., BEAVERTON OR 97006</p>
A	NEW RELEASE.	DYO	02-10-12	MMK				<p>DESCRIPTION: ENVELOPE DRAWING: ATML 0814B TWZ, REM. 8 GA., (M81969/8-14 REV. B)</p>
REV.	DESCRIPTION	BY	DATE	APR.				<p>PART NO. A ATML0814B-ENV</p>