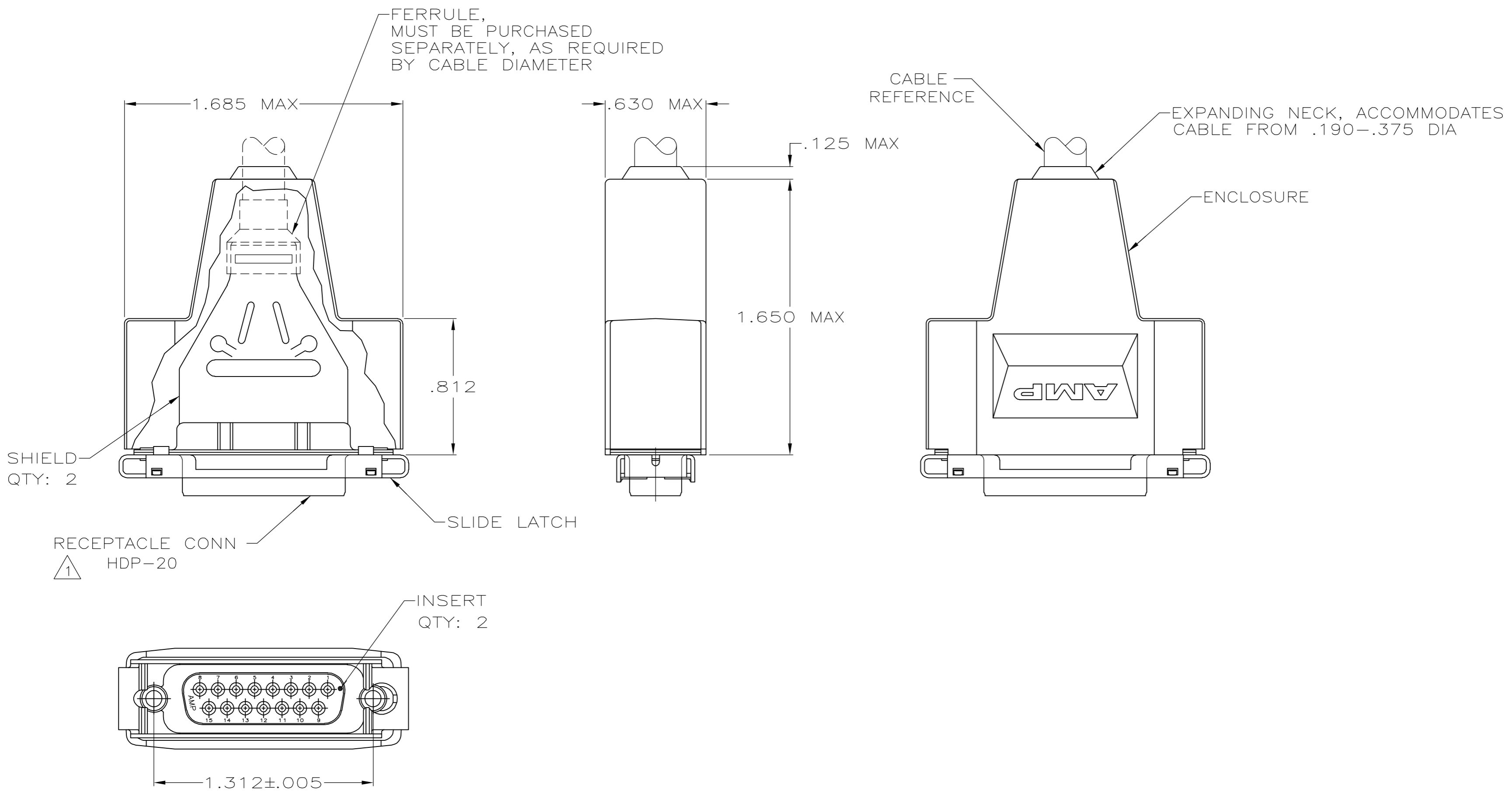


THIS DRAWING IS UNPUBLISHED. RELEASED FOR PUBLICATION  
 © COPYRIGHT BY TYCO ELECTRONICS CORPORATION. ALL RIGHTS RESERVED.

LOC	DIST	REVISIONS			
P	LTR	DESCRIPTION	DATE	DWN	APVD
GP	00	01	REVISED PER ECO-06-007631	12SEP06	JDP/CWR



- ① RECEPTACLE ACCEPTS SIZE 20 DF SOCKET CONTACTS. CONTACTS MUST BE PURCHASED SEPARATELY.
- 2. ALL PARTS SHIPPED UNASSEMBLED.
- 3. COMPONENTS INDIVIDUALLY BULK PACKAGED.
- ④ ENCLOSURE: ELASTOMER, STYRENE POLYOLEFIN, OR PVC, BLACK.
- ⑤ SLIDE LATCH: STAINLESS STEEL PER ASTM A167.
- ⑥ INSERTS: FLAME RETARDANT, 94V-0 RATED, GLASS FILLED, NYLON, BLACK.
- ⑦ SHIELDS & SHELLS: CARBON STEEL PER ASTM A109.
- ⑧ SHELLS & SHIELDS: .000200 MIN TIN PLATE OVER .000050 MIN COPPER UNDERPLATE.

5749246-1  
 PART NUMBER

THIS DRAWING IS A CONTROLLED DOCUMENT.		DWN G. ATTADIA - DOCK5 11-11-04	Tyco Electronics Corporation Harrisburg, PA 17105-3608	
DIMENSIONS: INCHES		CHK J. GERACE 11-11-04	NAME	
TOLERANCES UNLESS OTHERWISE SPECIFIED:		APVD M. WALMSLEY 11-11-04	SHIELDING ENCLOSURE KIT, RECEPTACLE, SIZE 2, 15 POSITION, WITH PREASSEMBLED SLIDE LATCH, AMPLITE, HDP-20	
0 PLC ± - 1 PLC ± - 2 PLC ± - 3 PLC ± .020 4 PLC ± - ± - ANGLES ± -		APPLICATION SPEC 114-40030	SIZE A2	RESTRICTED TO -
MATERIAL		WEIGHT -	CAGE CODE 00779	DRAWING NO C=5749246
FINISH		CUSTOMER DRAWING	SCALE 2:1	SHEET 1 of 1
				REV 01