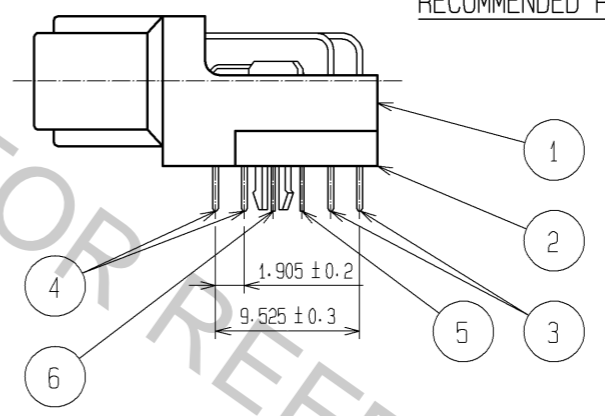
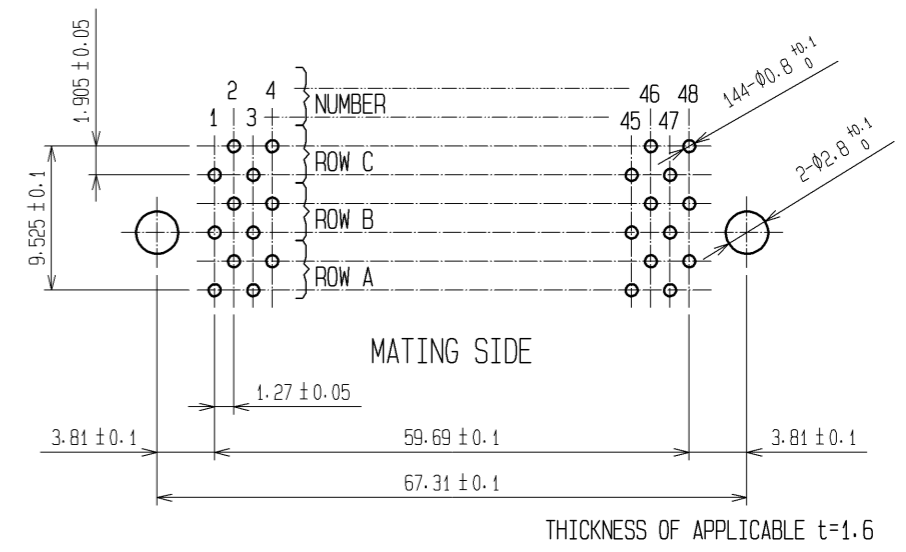
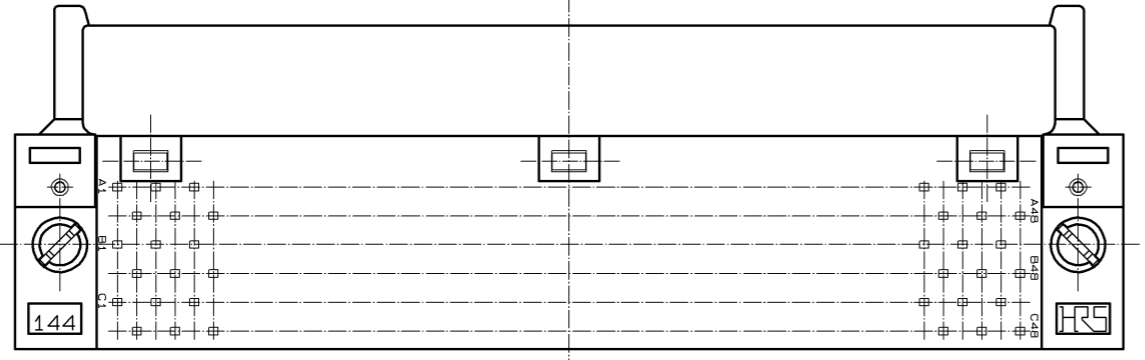
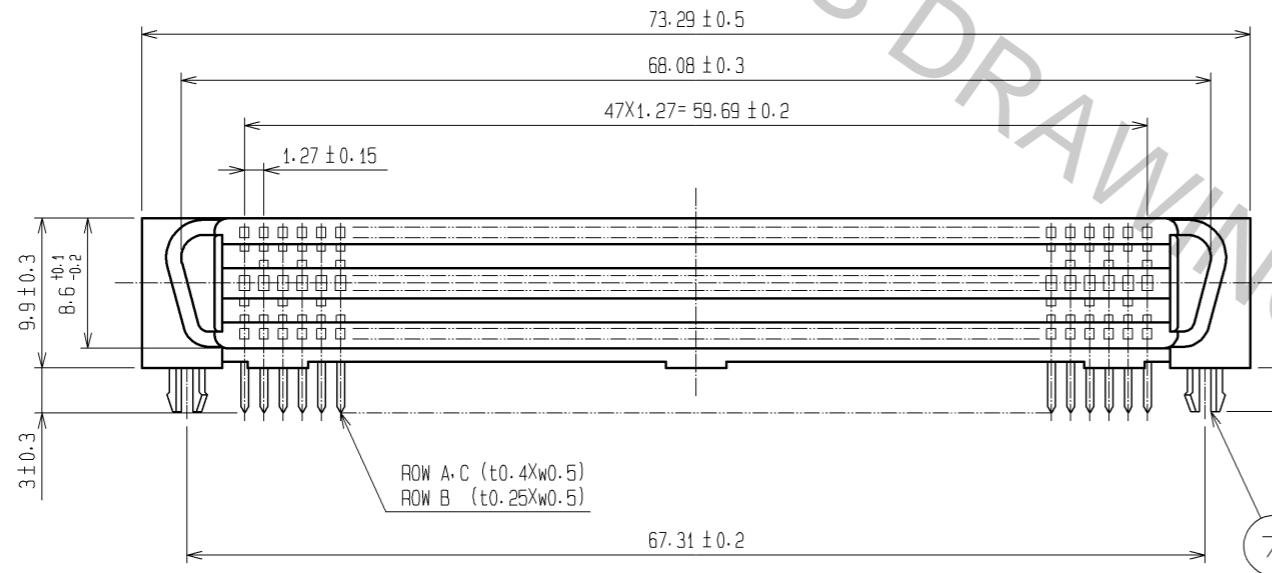
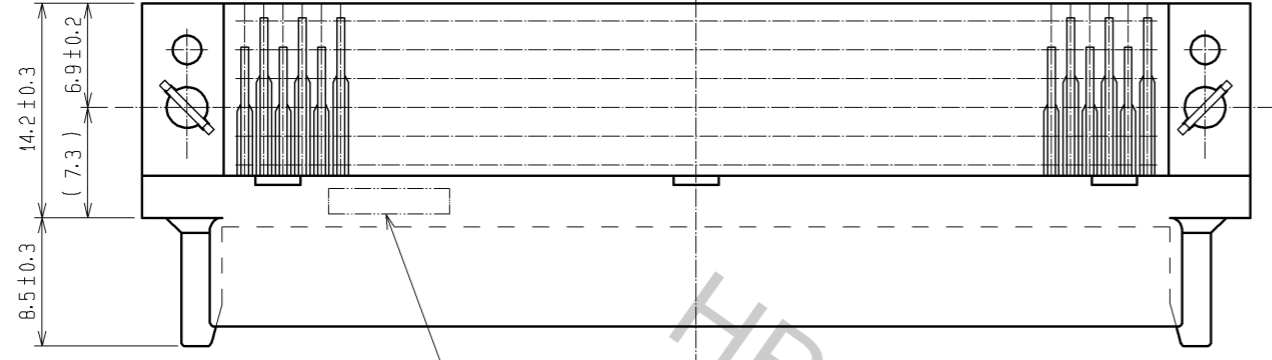


Apr.1.2017 Copyright 2017 HIROSE ELECTRIC CO., LTD. All Rights Reserved.



RECOMMENDED PC BOARD HOLE PATTERN(FREE)
(MOUNTING SIDE)

NOTE THE DIMENSIONS IN PARENTHESES ARE FOR REFERENCE.

7	PHOSPHOR BRONZE	TIN-PLATING						CONTACT AREA:GOLD 0.2µm min.
2	PBT	BLACK UL94V-0	3~6	PHOSPHOR BRONZE				DIP AREA:TIN-PLATING 2µm min.
1	PPS	BLACK UL94V-0						UNDER PLATING:NICKEL 2.5µm min.
NO.	MATERIAL	FINISH	REMARKS	NO.	MATERIAL	FINISH	REMARKS	
UNITS	mm	SCALE	2 : 1	COUNT	DESCRIPTION OF REVISIONS	DESIGNED	CHECKED	DATE
HRS HIROSE ELECTRIC CO., LTD.		APPROVED	HS. OKAWA	09.03.16	DRAWING NO.	EDC3-081605-21		
		CHECKED	HT. YAMAGUCHI	09.03.16	PART NO.	FX1-144S-1.27DSL(71)		
		DESIGNED	SY. KAMIGA	09.03.16	CODE NO.	CL571-0053-5-71		
		DRAWN	HK. SUNADORI	09.03.16		1/1		