

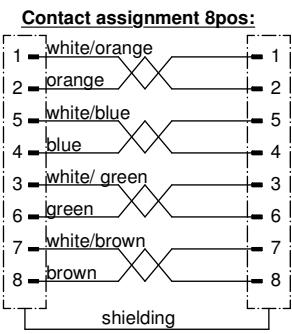
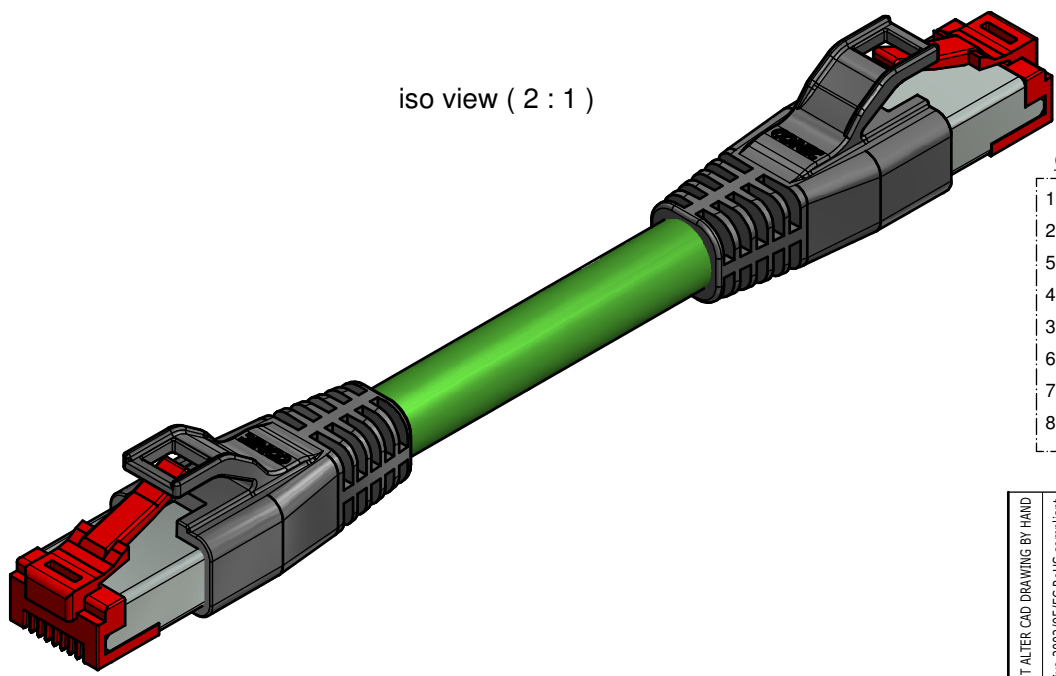
Technical specification:

Rated voltage: 125 V
 Current rating: 1A
 Transmission characteristics: Cat. 5e
 IEC 60512-2
 Pollution degree: 3/2
 IEC 60664-1
 Degree of protection: IP 20, connected
 IEC 60529 (RJ45)
 Temperature range connector: -25°C ... +60°C
 Temperature range wire: -40°C ... +90°C
 Mating cycles: >=100
 IEC 60512-9a

Material RJ45:

Contact: Cu - alloy, Au
 Contact carrier: PC, UL 94 V-2
 Shield cover: Cu - alloy
 Conductor holding tray: PC, UL 94 V-2
 Housing: TPU, UL 94 HB, black

iso view (2 : 1)



Part-Nr.:	Description:	Length L:	Cable:
17-140053	RJ - 45S - RS8.31 - RS8.31 - 1 / GAF / 025	1m	TPU, UL, green (RAL 6018), 4x2xAWG24 Cable: 781-GAF080T
17-140063	RJ - 45S - RS8.31 - RS8.31 - 2 / GAF / 025	2m	
17-140073	RJ - 45S - RS8.31 - RS8.31 - 5 / GAF / 025	5m	
17-140083	RJ - 45S - RS8.31 - RS8.31 - 10 / GAF / 025	10m	
17-xxxxxx	RJ - 45S - RS8.31 - RS8.31 - / GAF / 025	x	

RoHS compliant

Index c: 29.04.2016 K.H. Ä6104

dim. in mm

date: 15.10.13 name: Strakerjahn
 appd.: 12.11.13 Koch

tolerance of cable: L <= 4m: L + 40mm
 L > 4m: L + 1%

general tolerance: 0 ± 0,50mm
 0,0 ± 0,25mm
 0,00 ± 0,10mm

title: Male connector RJ45 overmoulded
 dwg no: 17K1A429
 part no: see table

CONEC®

THIS DRAWING MAY NOT BE COPIED OR REPRODUCED IN ANY WAY, AND MAY NOT BE PASSED ON TO A THIRD PARTY WITHOUT WRITTEN PERMISSION. OWNERSHIP AND COPYRIGHT OF CONEC GMBH