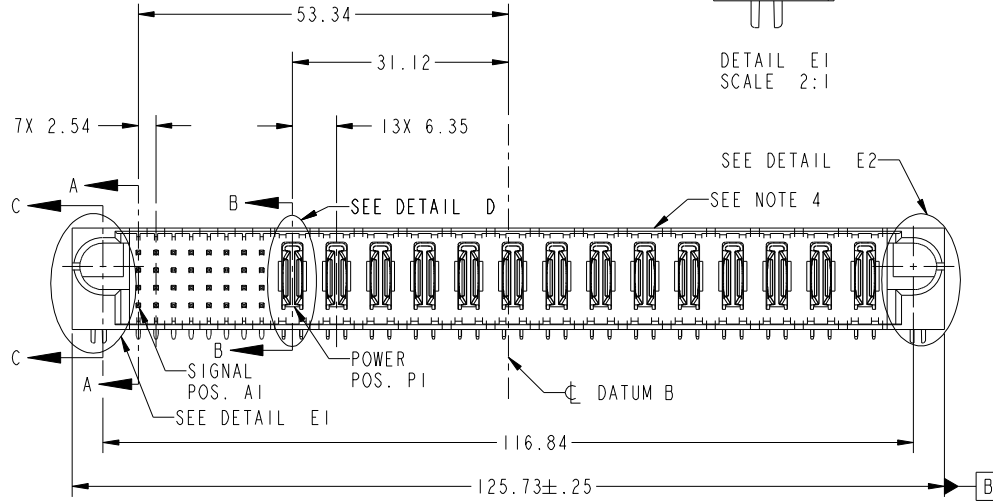
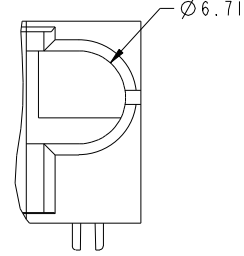
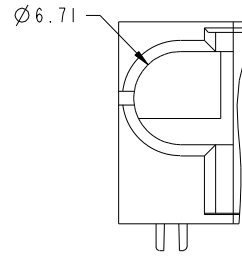
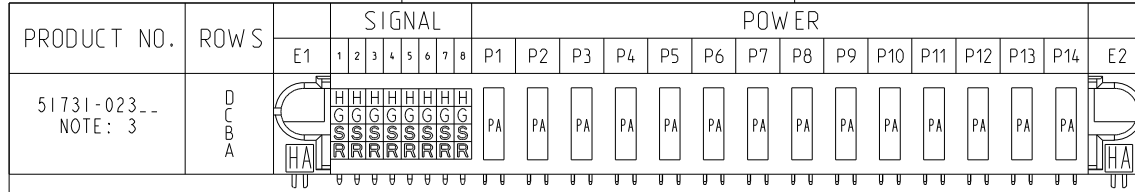


Tous droits strictement réservés. Reproduction ou communication a des tiers interdite sous quelque forme que ce soit sans autorisation écrite du propriétaire. Propriété de c FCI. Droits de reproduction FCI.



All rights strictly reserved. Reproduction or issue to third parties in any form whatever is not permitted without written authority from the proprietor. Property of FCI. Copyright FCI.



CODE	DIM "M" MATING LENGTH	CONTACT TYPE
G	[5.59]	SIGNAL
H	[5.59]	SIGNAL
R	[6.86]	SIGNAL
S	[6.86]	SIGNAL
PA	[N/A]	POWER
HA	[N/A]	HOLD-DOWN

mat'l code				SEE NOTE		tolerances unless otherwise specified		CUSTOMER	
ltr	ecn no.	dr	date	linear	0.X ±0.5	projection		COPY	
A	V04-0456	TAB	05/05/04		0.XX ±0.25	M M		title	
B	V04-0915	TAB	09/17/04		0.XXX ±0.10	scale		32S + 14P	
C	V04-1133	TAB	12/02/04	angles	0° ±2°	1:1		RIGHT ANGLE SOLDER HEADER	
D	DG05-0531	GuoJM	12/15/05	dr	T. BRUNGARD 05/05/04			product family PwrBlade code	
E	DG05-0561	GuoJM	12/22/05	enrg	M. GRAY 05/05/04			size 213	
F	DG06-0367	JULIA	09/05/06	chr	M. GRAY 05/05/04			dwg no 51731-023 sheet	
G	DG07-0498	JULIA	09/15/08	appd	M. GRAY 05/05/04			1 of 4	
sheet index	revision sheet	G 1	G 2	G 3	G 4				

www.fciconnect.com		product family PwrBlade code	
title		size 213	
32S + 14P		dwg no 51731-023 sheet	
RIGHT ANGLE SOLDER HEADER		1 of 4	
scale 1:1		cage code 22526	

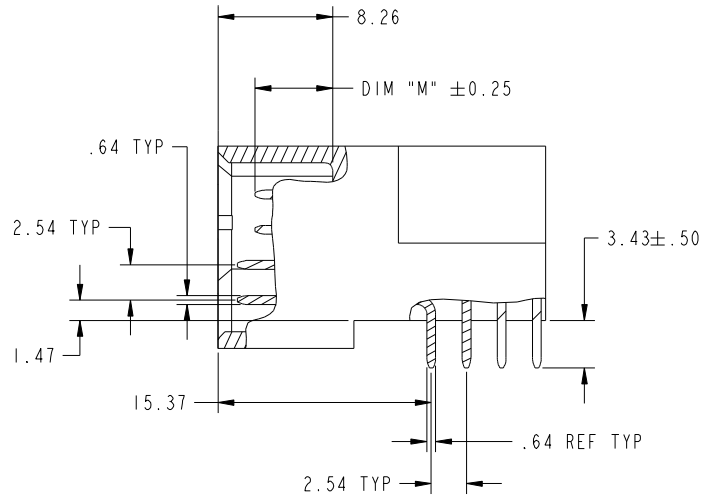
Pro/E

Tous droits strictement reserves. Reproduction ou communication a des tiers interdite sous quelque forme que ce soit sans autorisation ecrite du proprietaire. Propriete de c FCI. Droits de reproduction FCI.

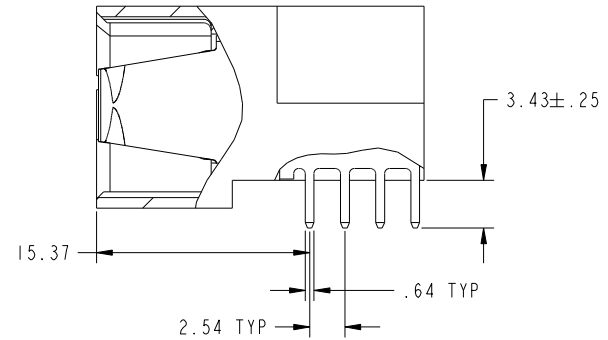


All rights strictly reserved. Reproduction or issue to third parties in any form whatever is not permitted without written authority from the proprietor. Property of FCI. Copyright FCI.

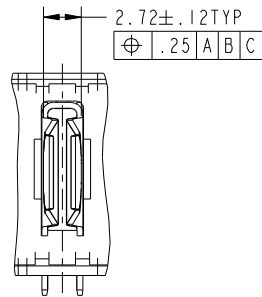
PRODUCT NUMBER
51731-023--
NOTE: 3



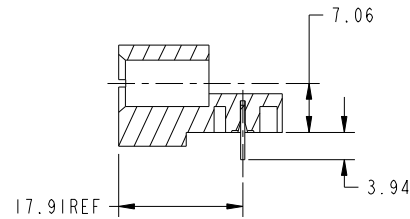
BROKEN-OUT SECTION A-A
SCALE 2:1



BROKEN-OUT SECTION B-B
SCALE 2:1



DETAIL D
SCALE 2:1



SECTION C-C

mat'l code		SEE NOTE		tolerances unless otherwise specified		CUSTOMER		www.fciconnect.com	
ltr	ecn no.	dr	date	linear	0.X ±0.5	COPY		title	
G					0.XX ±0.25	projection		32S + 14P	
				angles	0.XXX ±0.10			RIGHT ANGLE SOLDER HEADER	
				dr	0° +2°			product family PwrBlade code	
				enr	T. BRUNGARD 05/05/04			size	
				chr	M. GRAY 05/05/04	1:1		dwg no	
				appd	M. GRAY 05/05/04			51731-023	
sheet index		revision sheet						sheet	
								2	

cage code 22526

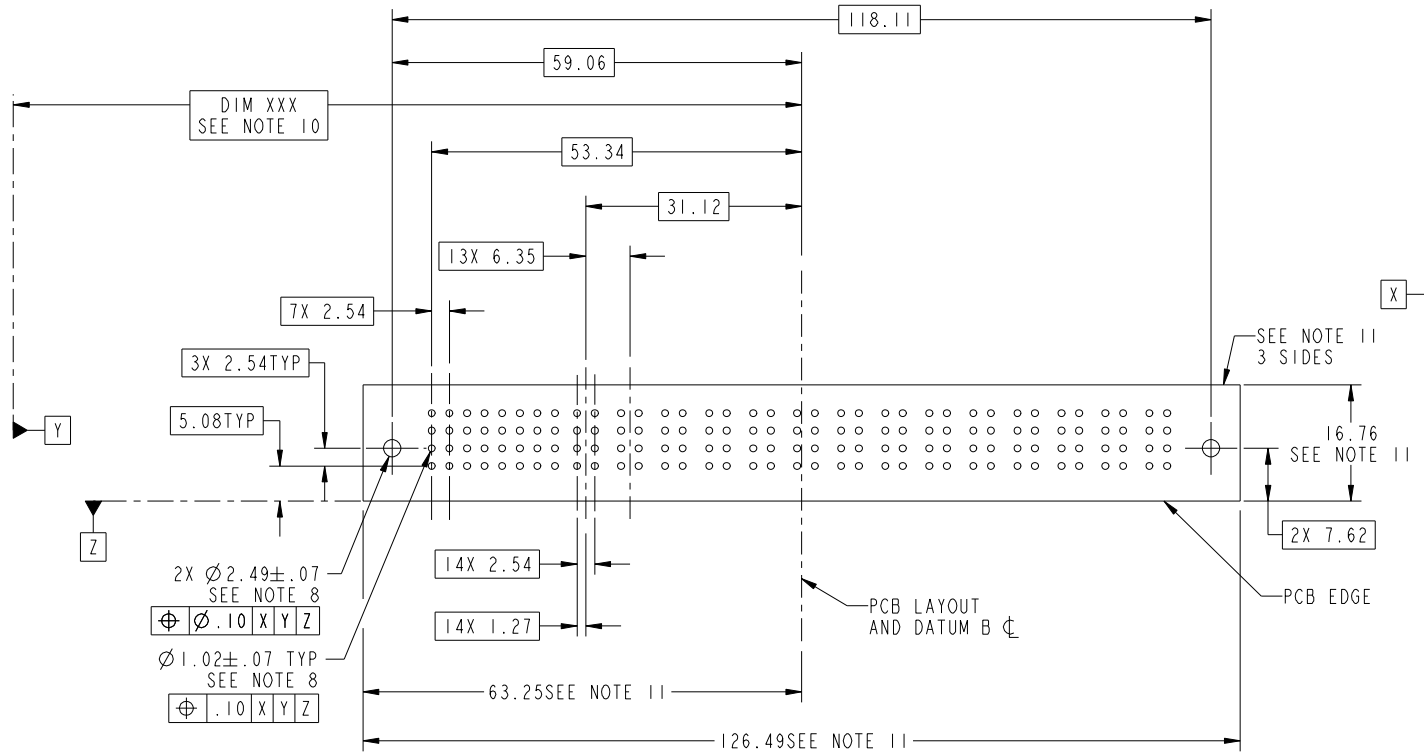
Pro/E

Tous droits strictement reserves. Reproduction ou communication a des tiers interdite sous quelque forme que ce soit sans autorisation écrite du propriétaire. Propriete de c FCI. Droits de reproduction FCI.



All rights strictly reserved. Reproduction or issue to third parties in any form whatever is not permitted without written authority from the proprietor. Property of FCI. Copyright FCI.

PRODUCT NUMBER
51731-023--
NOTE: 3



RECOMMENDED PCB LAYOUT

mat'l code		SEE NOTE		tolerances unless otherwise specified		CUSTOMER		www.fciconnect.com	
ltr	ecn no.	dr	date	linear	0.X ± 0.5	COPY		title	
6					0.XX ± 0.25	projection		32S + 14P RIGHT ANGLE SOLDER HEADER	
				angles	0.XXX ± 0.10			product family PwrBlade code	
				dr	T. BRUNGARD 05/05/04			size	
				enr	M. GRAY 05/05/04	scale		dwg no	
				chr	M. GRAY 05/05/04	1:1		51731-023	
				appd	M. GRAY 05/05/04			sheet	
sheet index		revision sheet						3	

cage code 22526

Pro/E

Tous droits strictement reserves. Reproduction ou communication a des tiers interdite sous quelque forme que ce soit sans autorisation écrite du propriétaire. Propriete de c FCI. Droits de reproduction FCI.



All rights strictly reserved. Reproduction or issue to third parties in any form whatever is not permitted without written authority from the proprietor. Property of FCI. Copyright FCI.

PRODUCT NUMBER
51731-023_-
NOTE: 3

NOTES:

1. DIMENSIONS AND TOLERANCES ARE IN ACCORDANCE WITH ASME Y14.5M, 1994 UNLESS OTHERWISE SPECIFIED.

CONNECTOR NOTES:

2. HOUSING MATERIAL: UL 94 V-0 GLASS FILLED

HIGH-TEMP THERMOPLASTIC
POWER CONTACT MATERIAL: COPPER ALLOY
SIGNAL PIN MATERIAL: COPPER ALLOY

3. PLATING
SEE ITEM 1 & 2 IN PRINT 10064183 FOR PLATING SPEC OF 51731-023; 51552-001LF PRESPECTIVELY

4. MANUFACTURER'S NAME, P/N, AND DATE CODE TO APPEAR ON THIS SURFACE.

5. PRODUCT SPECIFICATION GS-12-149.
APPLICATION SPECIFICATION BUS-20-067.

6. PACKAGED IN TRAYS.

PCB NOTES:

7. ALL HOLE DIAMETERS ARE FINISHED HOLE SIZE.

8. MOUNTING HOLES, WHERE APPLICABLE, ARE UNPLATED.

9. $\varnothing 1.151 \pm 0.025$ DRILLED HOLES PLATED WITH
0.008 MIN SnPb OR Sn OVER 0.03
TO 0.08 Cu PLATING TO ACHIEVE
 $\varnothing 1.02 \pm .07$ HOLE.

10. "DIM XXX" TO BE DETERMINED BY THE CUSTOMER.

11. CONNECTOR KEEP-OUT ZONE.

12. A \triangle SYMBOL WILL BE NEXT TO ANY DIMENSION, VIEW, OR NOTE WHICH HAS BEEN MODIFIED WITH THE CURRENT DRAWING REVISION.

mat'l code				SEE NOTE		tolerances unless otherwise specified		CUSTOMER		FCI www.fciconnect.com	
ltr	ecr no.	dr	date	linear	0.X ± 0.5		COPY		projection	title	
G					0.XX ± 0.25		MIM			32S + 14P RIGHT ANGLE SOLDER HEADER	
					0.XXX ± 0.10		MIM			product family PwrBlade code	
				angles	0° ± 2°		scale		size		
				dr	T. BRUNGARD	05/05/04	1:1		dwg no		
				enrg	M. GRAY	05/05/04	A		51731-023		
				chr	M. GRAY	05/05/04			sheet		
				appd	M. GRAY	05/05/04			4		
sheet index		revision sheet								cage code	
										22526	

Pro/E

cage code 22526