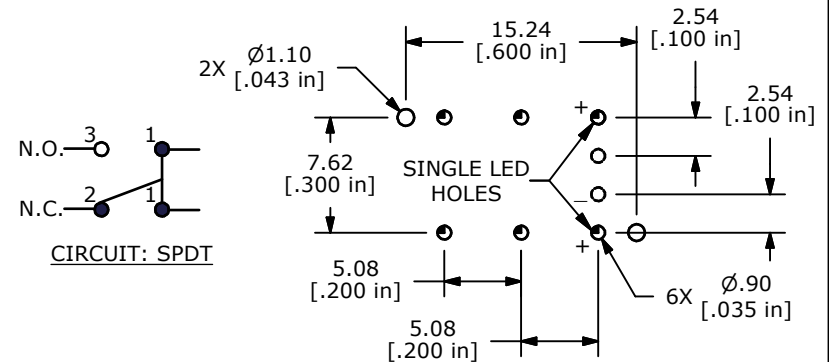
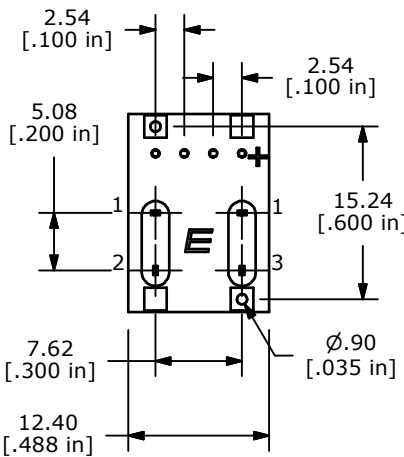
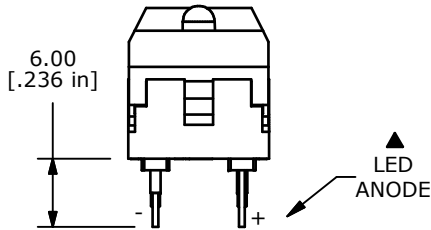
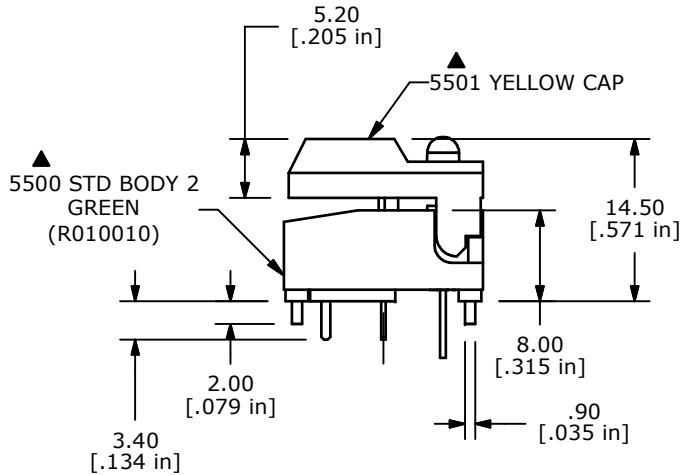


ISOMETRIC

GREEN LED

PARAMETERS	SYMBOL	MAX.	MIN.	TYP.	UNITS
POWER DISSIPATION	P _D	100	--		mW
AVE FORWARD CURRENT	I _{AF}	30	--		mA
PEAK FORWARD CURRENT	I _{PF}	120	--		mA
FORWARD VOLTAGE	V _F	2.8	1.9	2.2	V
REVERSE VOLTAGE	V _R	5	--		V
REVERSE CURRENT	I _R	100	--		μA
EMISSION WAVELENGTH	λ _P			570	nm
LUMINOUS INTENSITY	I _F		6.0	15.0	mcd



- NOTE:
1. ALL DIMENSIONS IN MM [INCH]
 2. GENERAL TOLERANCE: X.X=±0.4
X.XX=±0.25
 3. TERMINAL NUMBERS FOR REF ONLY
 4. RATINGS: 30mA @ 12V
 5. CONTACTS: FIXED AND MOVING:
COPPER ALLOY W/GOLD PLATE
 6. OPERATING FORCE: 150 +/- 50 grams
 7. OPERATING TRAVEL: 1.5MM ± 0.3MM
 8. ▲ DENOTES CRITICAL PARAMETER.



TITLE 5501M32

A	18610	Release For Production	8/25/09	BLR
REV	PCR NO	DESCRIPTION	DATE	BY

THE INFORMATION CONTAINED IN THIS DOCUMENT IS PROPRIETARY TO E-SWITCH AND IS NOT TO BE COPIED OR TRANSFERRED

SCALE	DATE	DR	DWG	REV
1:1	8/25/2009	RC	XR0247P	A