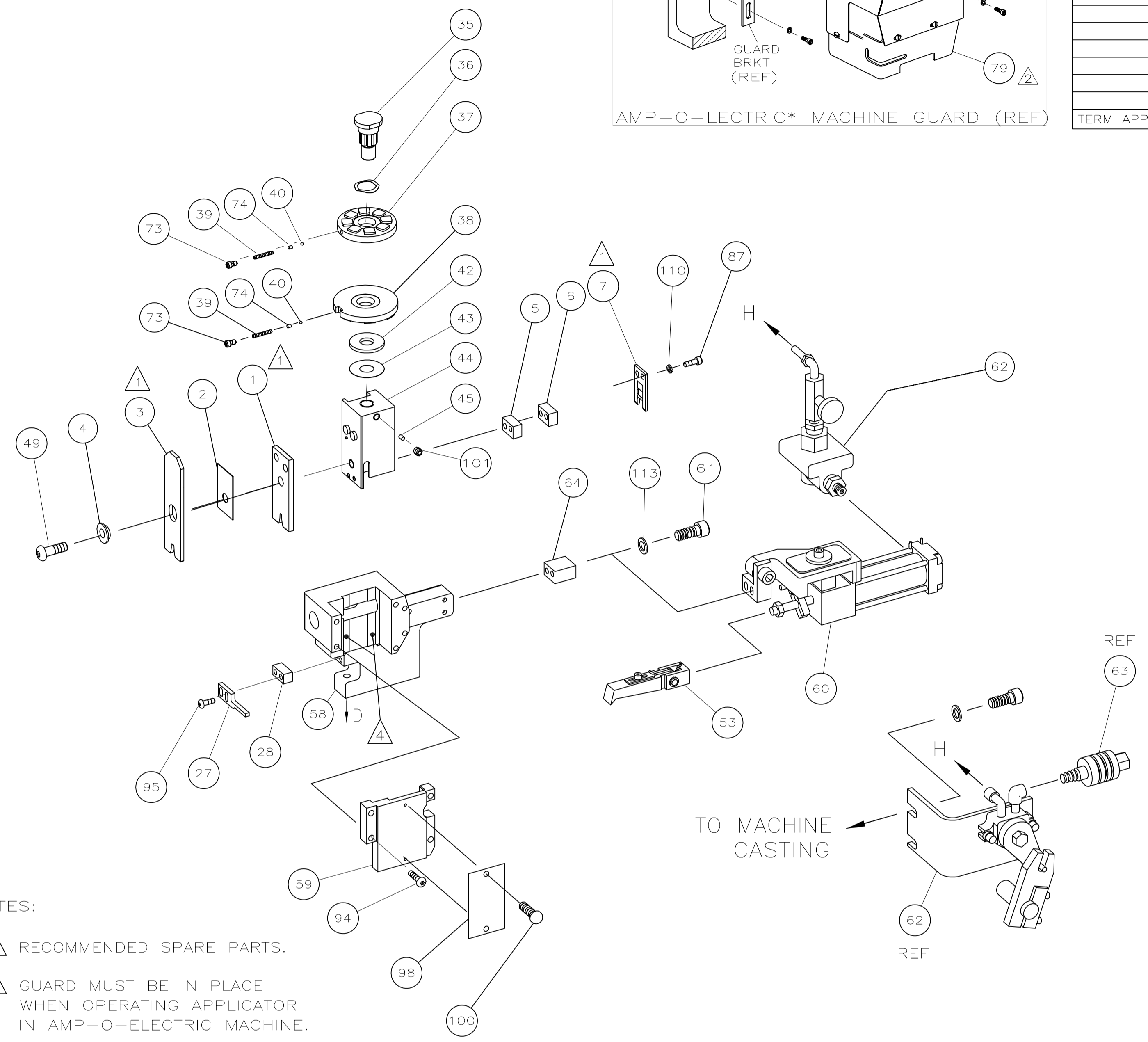
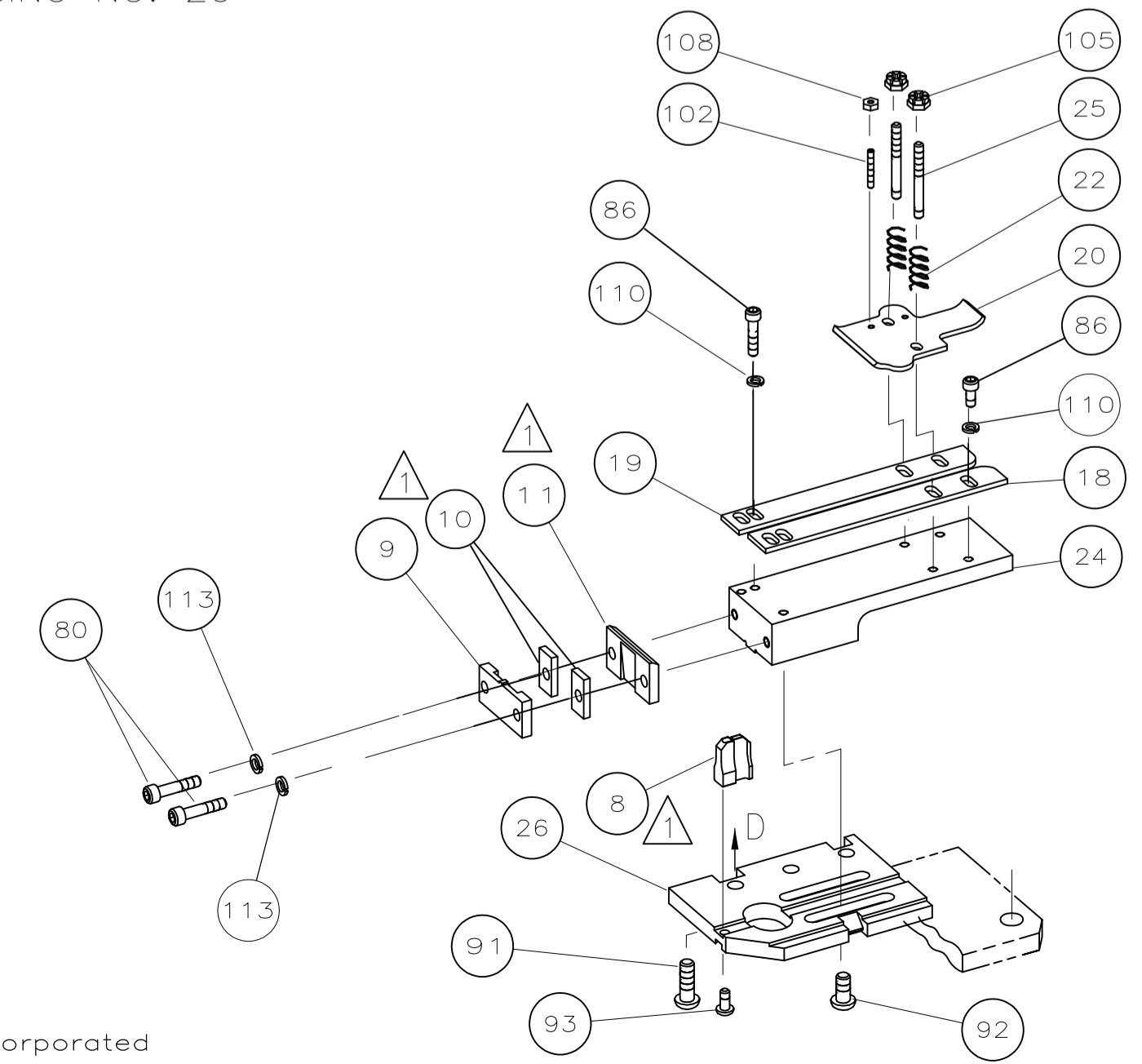


TERMINAL NAME:		CRIMPING DATA			
RING		PAD LTR	CRIMP HEIGHT	WIRE SIZE	
41601		A	.116 ±.002	12	
41602		B	.107 ±.002	14	
41603		C	NOT	USED	
41604		D	NOT	USED	
		CRIMP	SIZE	TYPE	RANGE
		WIRE	.180	F	14-12
		INSUL	.300	F	.170-.190
FEED	APPL INST	SET UP GAGE	LAYOUT		
1.085	408-8039	458638-1	L-1342		
WIRE STRIP LENGTH		-			
TERM APPL SPEC 114-2084					



- NOTES:
- ▲ RECOMMENDED SPARE PARTS.
 - ▲ GUARD MUST BE IN PLACE WHEN OPERATING APPLICATOR IN AMP-O-ELECTRIC MACHINE.
 - ▲ LUBRICATE DAILY USING NO. 20 MACHINE OIL.
 - ▲ GREASE LIGHTLY.



QTY REQD	PART NO	DESCRIPTION	ITEM NO
			129
			128
			127
			126
			125
			124
			123
			122
			121
			120
			119
			118
			117
			116
			115
			114
4	21024-5	WASHER,LOCK(NO.10)SHEAR PLATES	113
			112
			111
6	21024-4	WASHER,LOCK(NO.8)SHEAR BLADE	110
			109
2	21018-4	NUT,HEX MACH(4-40)DRAG	108
			107
			106
2	21022-2	NUT,HEX SELF-LOCK(8-32)DRAG STUD	105
			104
			103
2	2-21006-6	SCR,SKT SET OVAL PT(4-40X.63)DRAG	102
1	21009-2	SCR,SKT SET(1/4-20X.25 LOC-WEL)RAM	101
2	21017-2	SCR,DRIVE(#2X.19)IDENT PLATE	100
			99
1	461264-1	PLATE, IDENTIFICATION	98
			97
			96
2	2-21002-2	SCR,BHC(8-32X.50)STRIPPER	95
4	2-21002-9	SCR,BHC(10-32X.75)HSG CAP	94
1	22733-8	SCR,BHC(8-32X.38 LOC-WEL)ANVIL	93
			92
3	2-22733-8	SCR,BHC(1/4-20X.62)BASE PL	91
			90
			89
			88
2	2-21000-8	SCR,SKT CAP(8-32X.62)SHEAR BLADE	87
4	2-21000-7	SCR,SKT CAP(8-32X.50)STRIP GUIDE	86
			85
			84
			83
			82
			81
			80
2	3-21000-7	SCR,SKT CAP(10-32X.75)SHEAR PLATE	79
1	455750-7	GUARD ASSY	78
			77
			76
			75
2	690603-1	SPRING, ASSIST	74
2	23030-1	SCR,SKT CAP(6-32X.25)CP DISC	73
			72
			71
-1	PART NO	DESCRIPTION	ITEM NO
PARTS LIST			

QTY REQD	PART NO	DESCRIPTION	ITEM NO
			70
			69
			68
			67
			66
			65
			64
			63
REF	24042-2	VALVE, SHUT OFF	63
1	692655-5	VALVE ASSY	62
2	3-21000-9	SCR,SKT CAP(10-32X1.00)AIR FD ASSY	61
1	2-460277-0	AIR FEED ASSY	60
1	454220-1	CAP, RAM	59
1	453736-1	HOUSING	58
			57
			56
			55
			54
1	460680-7	FEED FINGER ASSY	53
			52
			51
			50
1	690686-2	BOLT, CRIMPER(5/16-24X1.00)	49
			48
			47
			46
1	690191-1	PLUG, NYLON	45
1	455674-1	RAM	44
1	690125-1	WASHER, LAMINATED	43
1	690124-1	WASHER, RAM	42
			41
2	23241-6	BALL, STEEL	40
2	690170-1	SPRING, COMPRESSION	39
1	690142-1	DISC, INSULATION	38
1	4-455829-6	DISC, WIRE	37
1	22480-5	WASHER, SPRING	36
1	690212-1	POST, RAM	35
			34
			33
			32
			31
			30
			29
1	1-690451-3	SPACER, STRIPPER	28
1	240639-1	STRIPPER	27
1	455676-1	PLATE, BASE	26
2	22354-8	DRAG, STUD	25
1	455678-1	PLATE, STRIP GUIDE	24
			23
2	4-22281-1	SPRING, DRAG	22
			21
1	454177-1	DRAG, STOCK	20
1	3-458030-3	GUIDE, STRIP (REAR)	19
1	3-458031-3	GUIDE, STRIP (FRONT)	18
			17
			16
			15
			14
			13
			12
1	240644-1	PLATE, REAR SHEAR	11
2	1-240645-1	SPACER, SHEAR PLATE	10
1	240642-1	PLATE, FRONT SHEAR	9
1	4-683452-7	ANVIL	8
1	2-240651-8	BLADE, SLUG	7
1	2-240641-0	SPACER, SHEAR BLADE	6
1	2-240641-4	SPACER, SHEAR BLADE	5
1	238009-2	BLOCK, CRIMPER SPACER	4
1	2-683453-5	CRIMPER, INSULATION	3
1	1-455888-5	SPACER, CRIMPER	2
1	456428-9	CRIMPER, WIRE	1
-1	PART NO	DESCRIPTION	ITEM NO
PARTS LIST			

LOC A
DIST 66
* Trademark of AMP Incorporated

DIMENSIONS: INCHES		TOLERANCES UNLESS OTHERWISE SPECIFIED:	
0 PLC	± .005	1 PLC	± .002
1 PLC	± .002	2 PLC	± .001
2 PLC	± .001	3 PLC	± .0005
3 PLC	± .0005	4 PLC	± .0002
4 PLC	± .0001		
ANGLES: -		SURFACE TEXTURE: √	
E1	ECR-10-002360	1-2010	MY GB
P	LTR	REVISION RECORD	DATE
DWG: M.YOUNGER		23APR2008	MATERIAL
CHK: T.MIDDLETON		24APR2008	HEAT TREAT
APVD: G.BAILEY		24APR2008	
NAME: G.BAILEY		Tyco Electronics Corporation Harrisburg, PA 17105-3608	
SCALE: A1			
DRAWING NO: 567335-2		SHEET 1 of 1	
REV: E1			