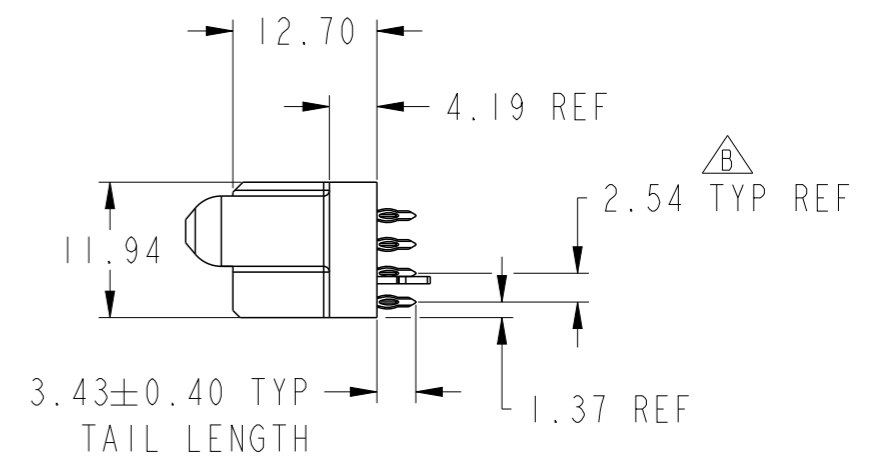
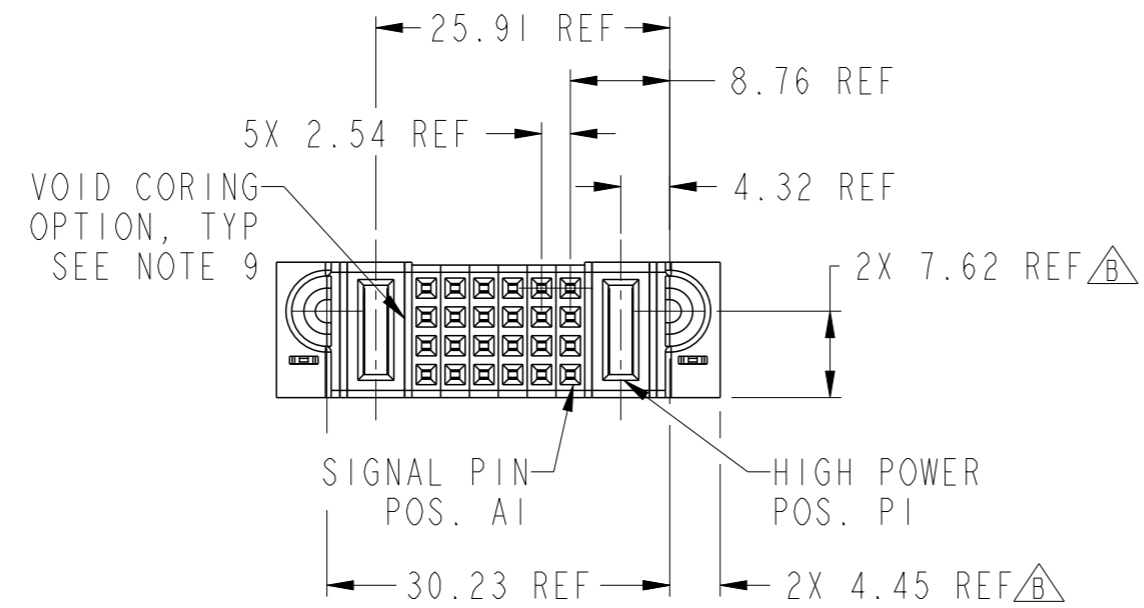
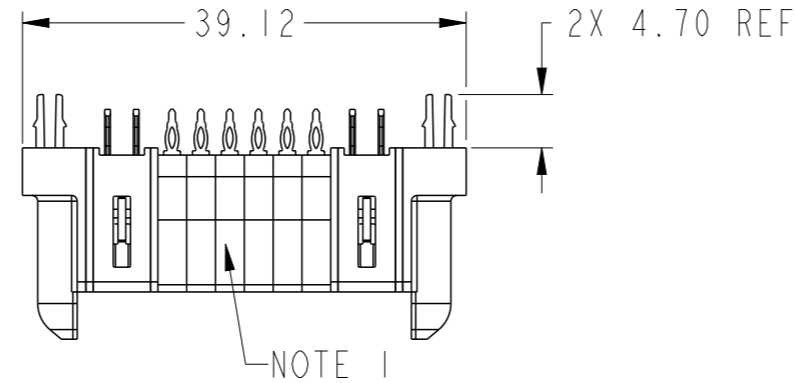
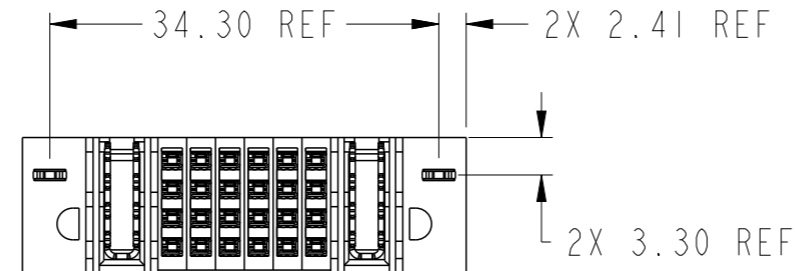


PRODUCT NUMBER SEE SHEET 2

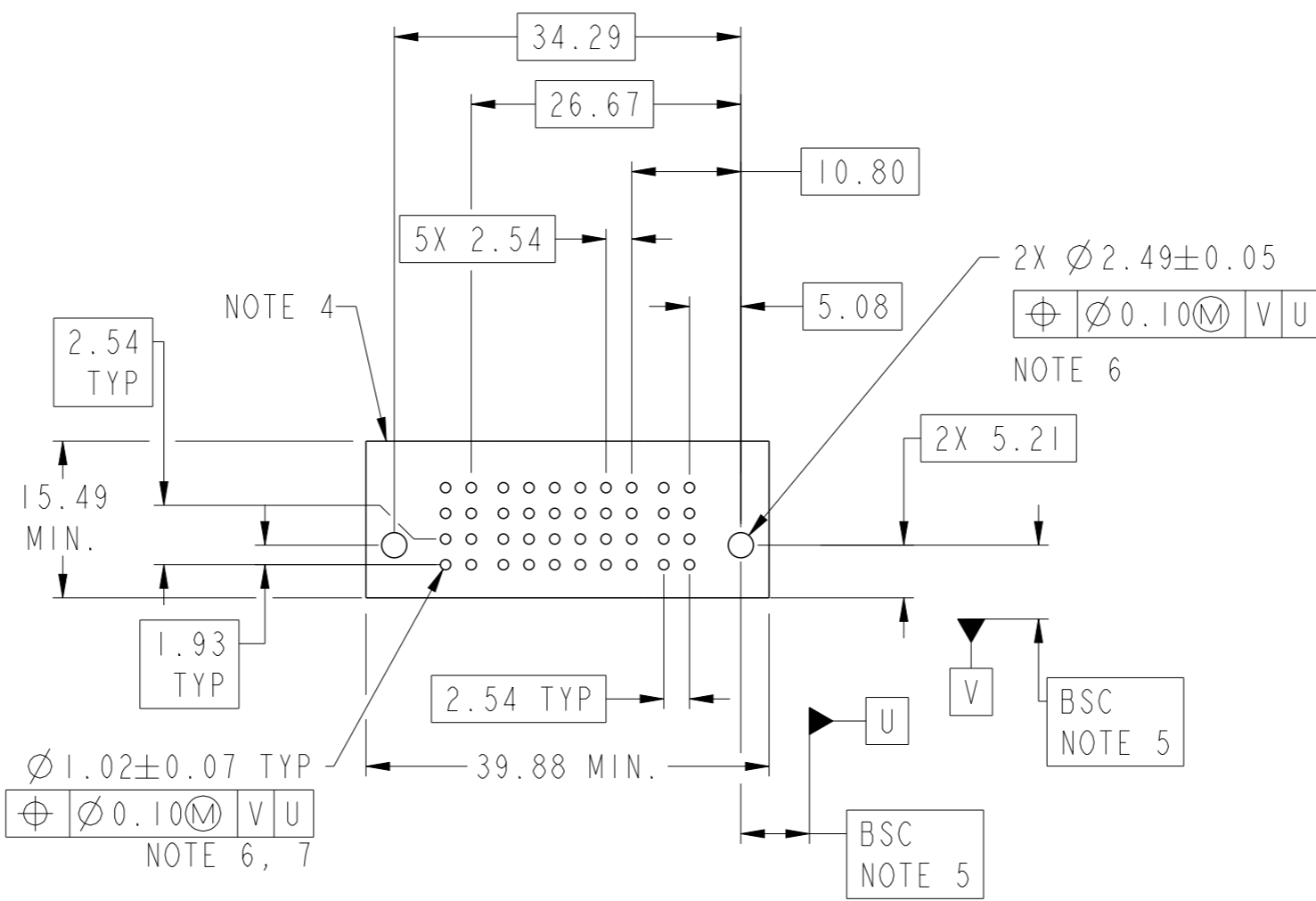


Copyright FCI.

spec ref		dr	Peng-Bing Fu	2012/06/27	projection	MM	size	A3	scale	3:2
tolerance std ASME Y14.5		TOLERANCES UNLESS OTHERWISE SPECIFIED			eng	Peng-Bing Fu	2012/11/13	ecn no	ELX-DG-013146-1	
		chr	Tian-Xu Huang	2012/11/13	product family		PowerBlade+	rel level		
		appr	Pei-Ming Zheng	2012/11/13				Released		
surface	linear	0.X	±0.50		IHP + 24S + IHP		dwg no	10106269-2006002		rev
		0.XX	±0.25		VT PRESSFIT RECEPTACLE				B	
		0.XXX	±0.10							
ASME Y14.5	angular	0°	±2°	www.fci.com	cat. no.	Product - Customer Drw		sheet 1 of 3		

PRODUCT NO.	ROWS	P		SIGNAL					P		
		E1	P2	6	5	4	3	2	1	P1	E2
10106269-2006002LF	DCBA	HA	HG	F	F	F	F	F	F	HG	HA

CODE	DESCRIPTION
F	STD SIGNAL CONTACT
HA	METAL HOLD DOWN
HG	STD HIGH POWER CONTACT (3.43)



Copyright FCI.

dr	Peng-Bing Fu	2012/06/27	projection MM	size	A3	scale	3:2
eng	Peng-Bing Fu	2012/11/13		ecn no	ELX-DG-013146-1		
chr	Tian-Xu Huang	2012/11/13		product family	PowerBlade+	rel level	Released
appr	Pei-Ming Zheng	2012/11/13	www.fci.com		cat. no.	Product - Customer Drw	
		IHP + 24S + IHP VT PRESSFIT RECEPTACLE		dwg no 10106269-2006002	rev B	sheet 2 of 3	

A

B

C

D

A

B

C

D

NOTES:

- 1) "FCI", PART NUMBER AND DATE CODE TO BE MARKED ON THIS SURFACE.
THE P/N CAN BE OMITTED IF THERE IS NOT ENOUGH SPACE ON THIS SURFACE.
- 2) MATERIALS:
-HOUSING - GLASS FILLED WITH HIGH TEMP THERMOPLASTIC, UL94V-0.
-SIGNAL CONTACT - COPPER ALLOY.
-POWER CONTACT - HIGH CONDUCTIVITY COPPER ALLOY.
- 3) PLATING SPECIFICATION REFER TO FCI 10116351
- 4) DENOTES CONNECTOR KEEP OUT ZONE.
- 5) DATUM AND BASIC DIMENSIONS WERE ESTABLISHED BY CUSTOMER.
- 6) ALL HOLE DIAMETERS ARE FINISHED HOLE SIZES.
- 7) 1.15 ± 0.025 MM DRILLED HOLE PLATED WITH 0.00762MM MIN Sn
OVER 0.0254-0.0762MM Cu PLATING TO ACHIEVE A 1.02 ± 0.07 MM HOLE.
- 8) PRODUCT SPECIFICATION REFER TO FCI GS-12-658.
APPLICATION SPECIFICATION REFER TO FCI GS-20-141.
PRODUCT PACKAGED IN TRAYS, REFER TO FCI GS-14-1502.
- 9) THE VOID CORING IN BETWEEN POWER MODULES, SIGNAL
MODULES AND END MODULES ARE OPTIONAL AND THE SHAPE
MAY BE DIFFERENT FOR OPTIMIZE THE MOLDING PROCESS. THE
VOID CORING WILL NOT EFFECT TO PRODUCT FUNCTION.
- 10) A $\triangle B$ SYMBOL WILL BE NEXT TO ANY DIMENSION, VIEW, OR NOTE
WHICH HAS BEEN MODIFIED WITH THE CURRENT DRAWING REVISION.



Copyright FCI.

dr	Peng-Bing Fu	2012/06/27	projection 	MM 	size	A3	scale	1:1
eng	Peng-Bing Fu	2012/11/13			ecn no	ELX-DG-013146-1		
chr	Tian-Xu Huang	2012/11/13			product family	PowerBlade+	rel level	Released
appr	Pei-Ming Zheng	2012/11/13			cat. no.	IHP + 24S + IHP		rev
					www.fci.com	VT PRESSFIT RECEPTACLE		B
					cat. no.	Product - Customer Drw		sheet 3 of 3