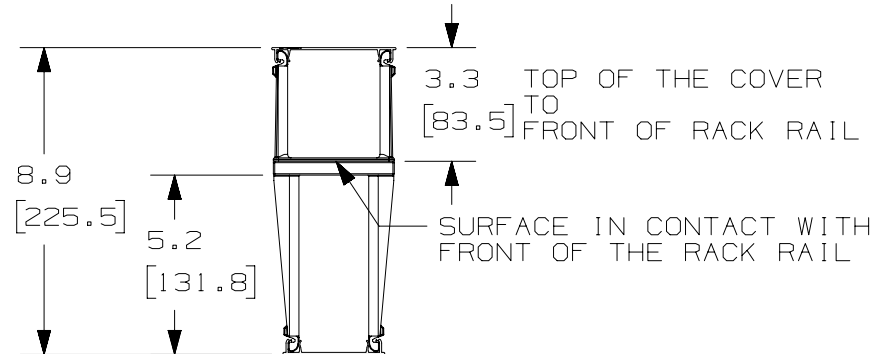
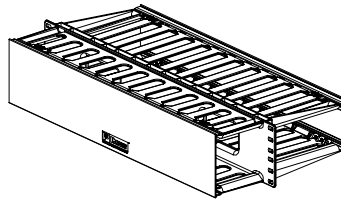
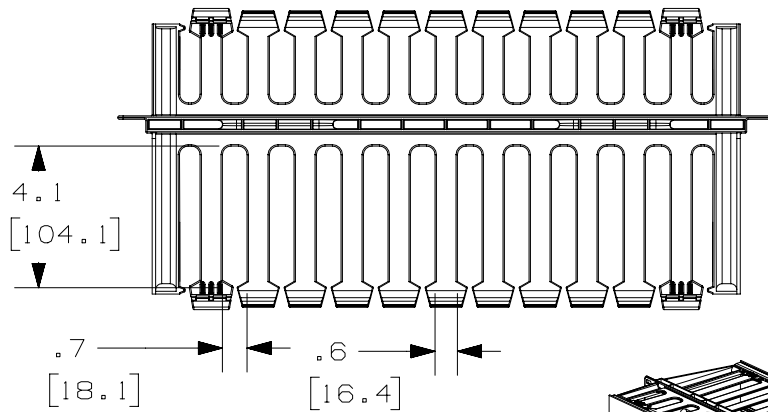
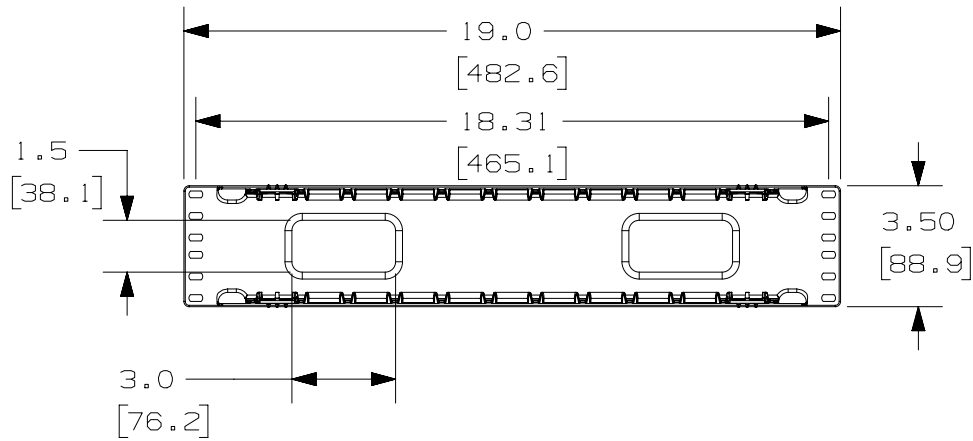


THIS COPY IS PROVIDED ON A RESTRICTED BASIS AND IS NOT TO BE USED IN ANY WAY DETRIMENTAL TO THE INTERESTS OF PANDUIT CORP.



PANDUIT P/N	WEIGHT
WMP1E	2.3 LBS/EACH 1043 g/EACH
WMP1E-V (5 PARTS/CARTON)	11.5 LBS/EACH 5.2 Kg/EACH

NOTES:

- DESIGNED FOR MOUNTING ON 19" EIA RACKS.
- COMPONENTS:
1- MANAGER
2- 17" X 3.6" DUAL HINGED COVERS
4- #12-24 X 1/2" SCREWS
- DIMENSIONS IN PARENTHESES ARE METRIC.

TITLE		WMP1E HORIZONTAL MANAGER			CUSTOMER DRAWING	
ITEM REVISION NAME		V10101AA/08			PANDUIT	
DATASET FILE NAME		V10101AA_DC/08A				
UNLESS OTHERWISE SPECIFIED, DIMENSIONAL TOLERANCES ARE: IN (mm)		.XX ± .XXX ± .XX ± ANGLES ±				
DRAWN BY		DATE	CHK	SCALE	MATERIAL: ABS	
JDWE		12-17-02	MECA	NONE	DRAWING NUMBER: V10101AA-DC	
REV	DATE	BY	CHK	APR	DESCRIPTION	ECN
08A	3-26-15	TWV	MACA	KRKE	BOM ADJUSTMENT; REVISED NOTES.	V10101AA-DC
07D	4-22-13	BAME	RYB	CMK	REVISED AND REDRAWN; ALL PREVIOUS REVS OMITTED UPDATED TITLE BLOCK	V10101AA-DC
THIRD ANGLE PROJECTION		SHT 1 OF 1		A		

D10100DA/15