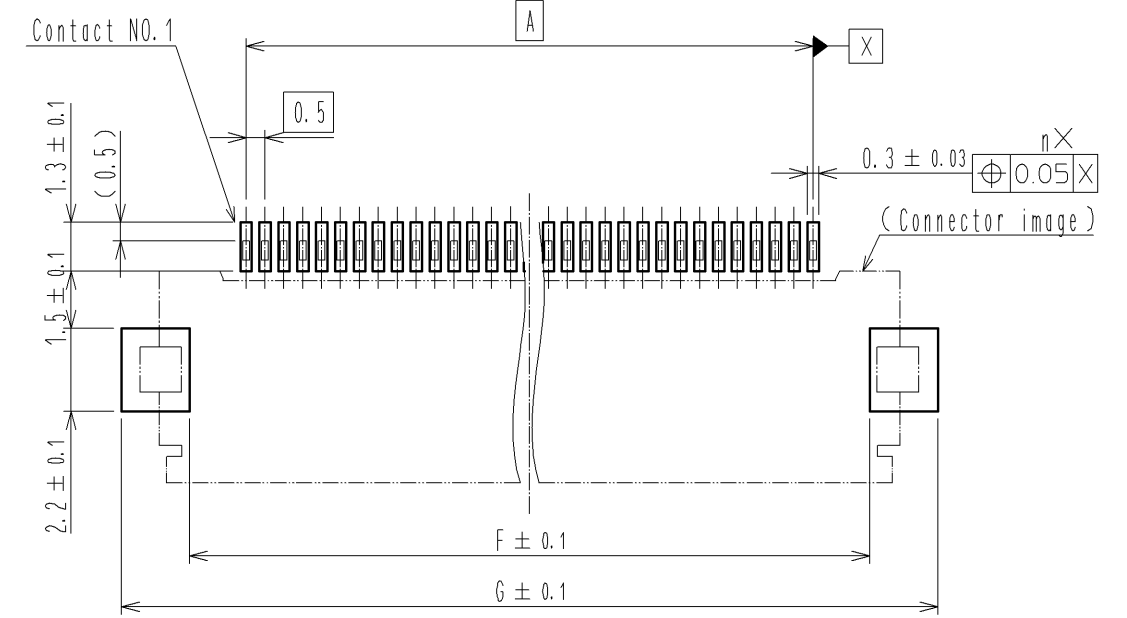
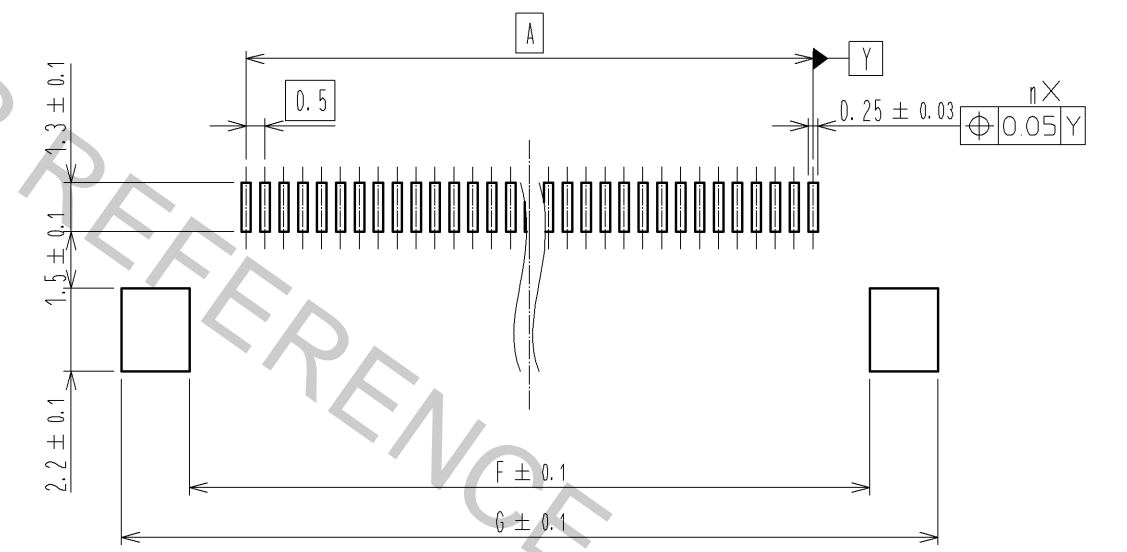


RECOMMENDED PCB MOUNTING PATTERN



RECOMMENDED STENCIL PATTERN
(RECOMMENDED STENCIL THICKNESS : t=0.15)

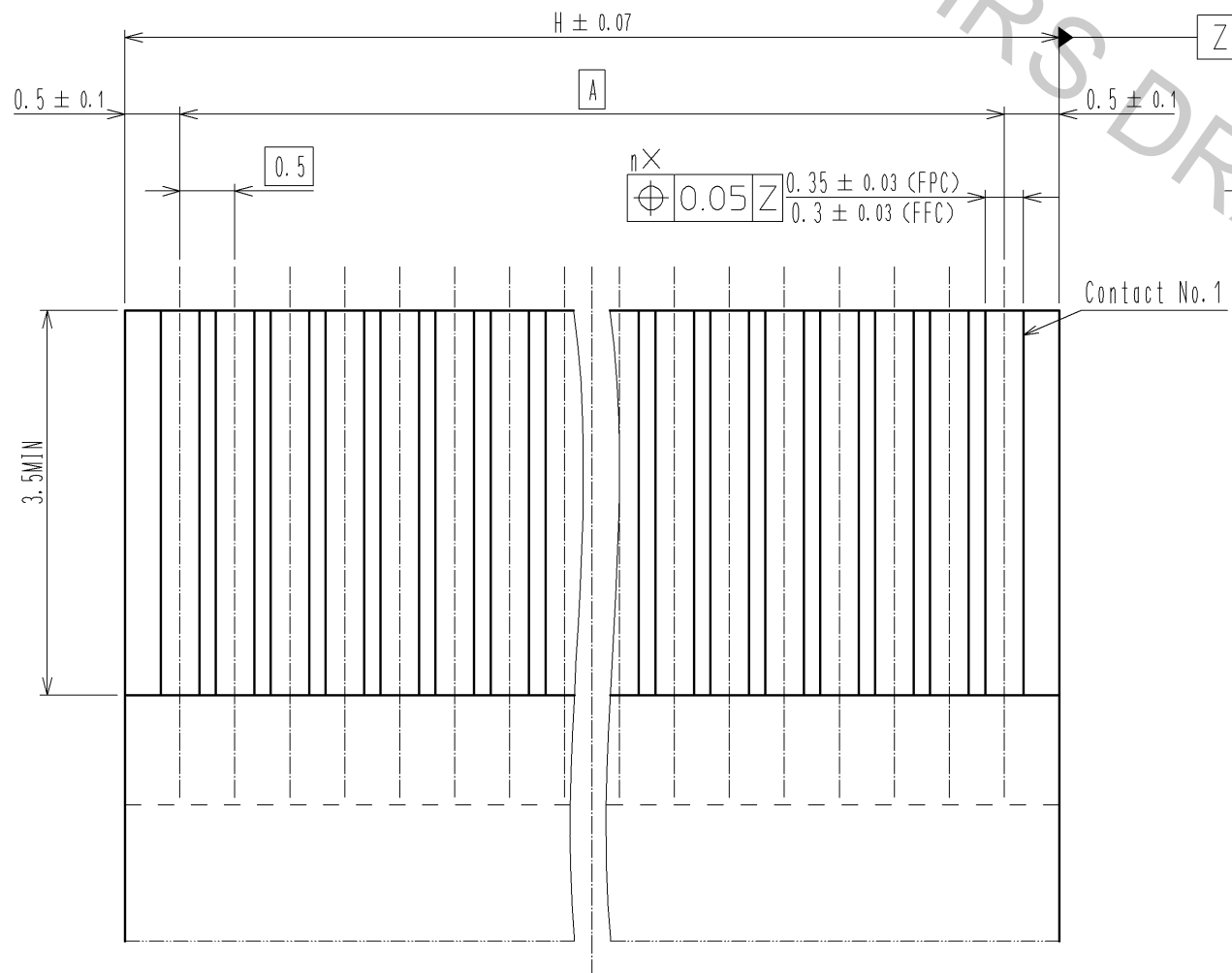


- NOTE ① REFERENCE IS b.
 ② LEAD CO-PLANARITY SHALL BE 0.1 MAX.
 ③ 'n' REPRESENTS THE NUMBER OF CONTACTS.

< 35 CONTACT OR MORE >

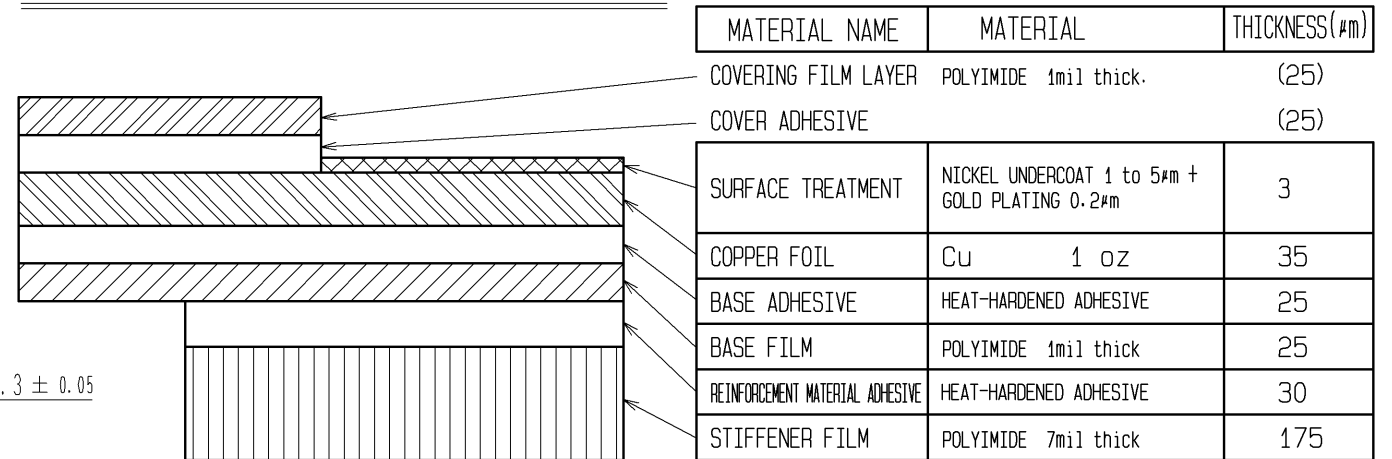
| | | |
|------------|-------------|--------------------|
| HRS | DRAWING NO. | EDC3-150229-11 |
| | PART NO. | FH12-**S-0.5SH(55) |
| | CODE NO. | CL586 |
| | | 2/5 |

RECOMMENDED FPC/FFC (15:1)

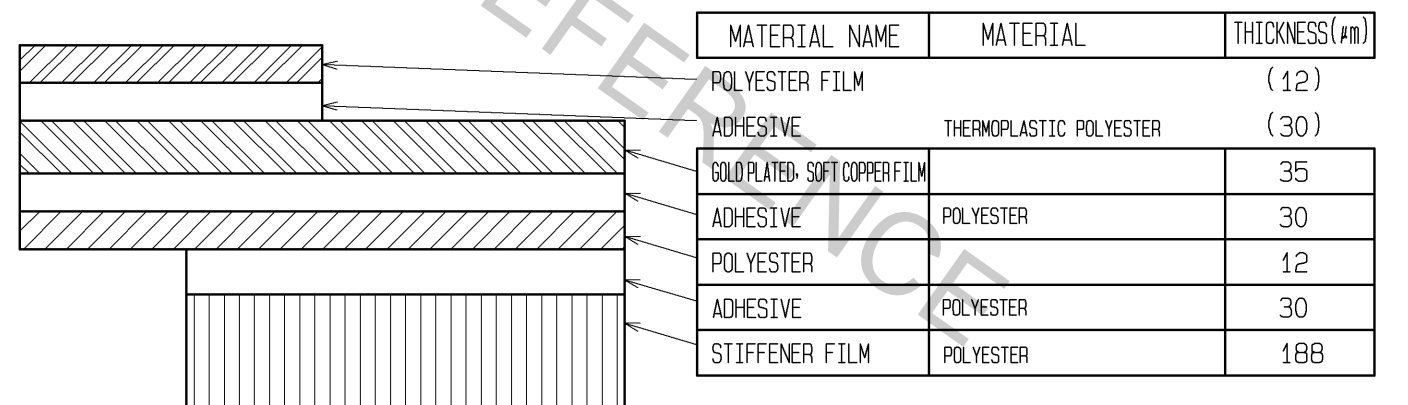


4 THICKNESS OF SUPPORTING TAPE SHALL BE 0.188(7.5MIL) MIN.

FPC CONFIGURATION (REFERENCE EXAMPLE) (SCALE:FREE)



FFC CONFIGURATION (REFERENCE EXAMPLE) (SCALE:FREE)



| | | |
|------------|-------------|--------------------|
| HRS | DRAWING NO. | EDC3-150229-11 |
| | PART NO. | FH12-**S-0.5SH(55) |
| | CODE NO. | CL586 |

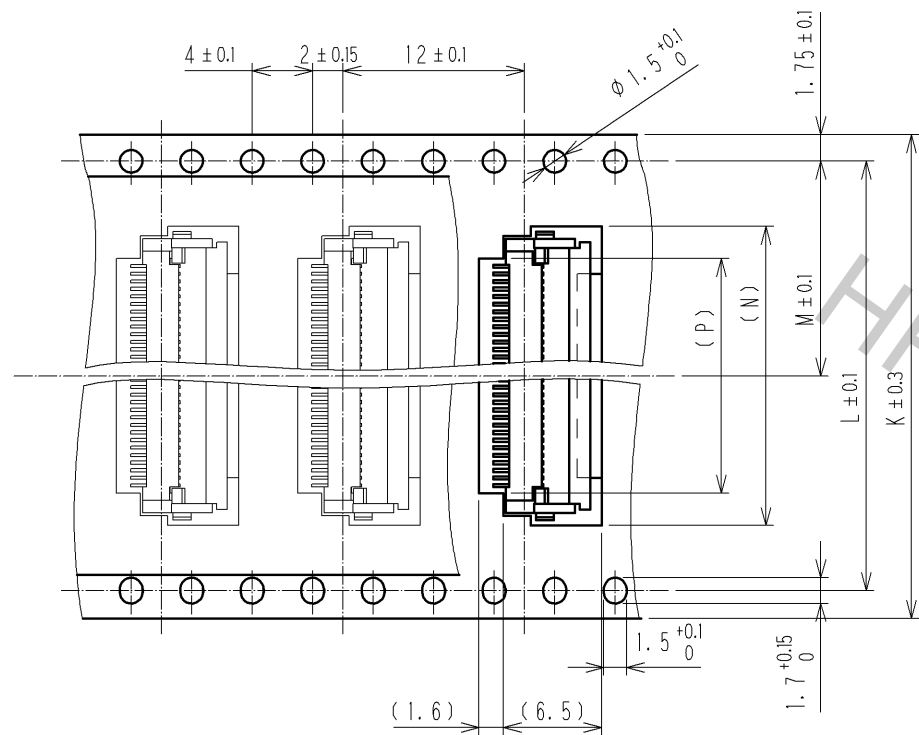
3/5

HRS DRAWING FOR REFERENCE ONLY

Apr.1.2017 Copyright 2017 HIROSE ELECTRIC CO., LTD. All Rights Reserved.

EMBOSSED CARRIER TAPE DIMENSION(2:1)

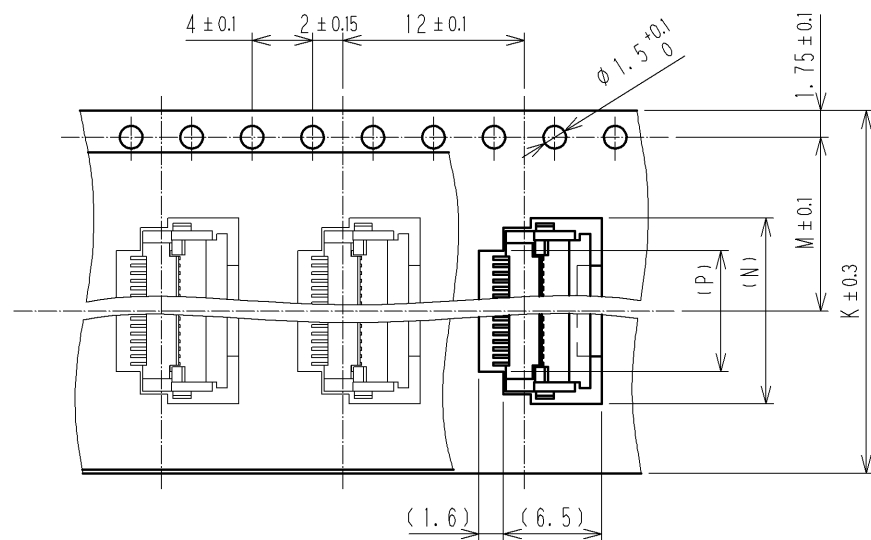
TAPE WIDTH:32mm MIN



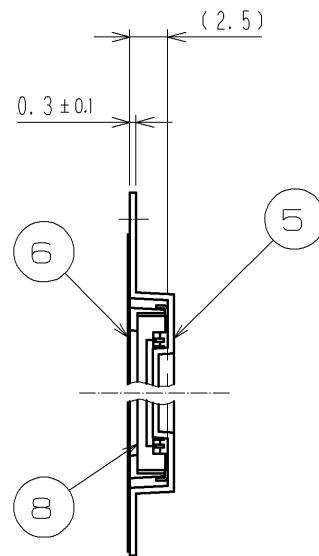
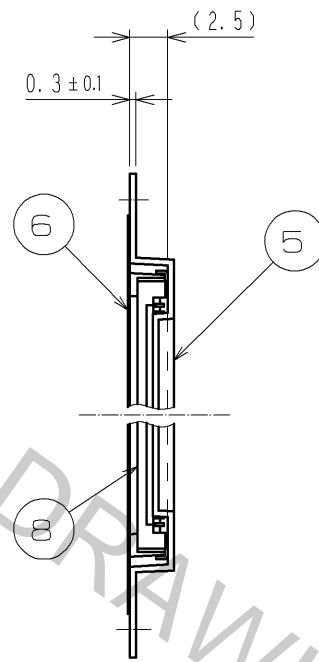
DIRECTION OF UNREELING



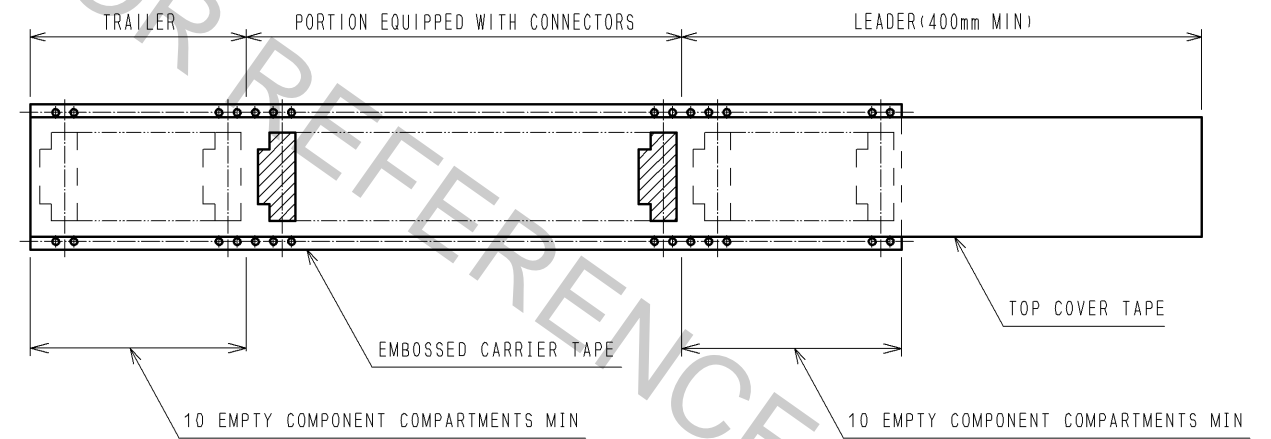
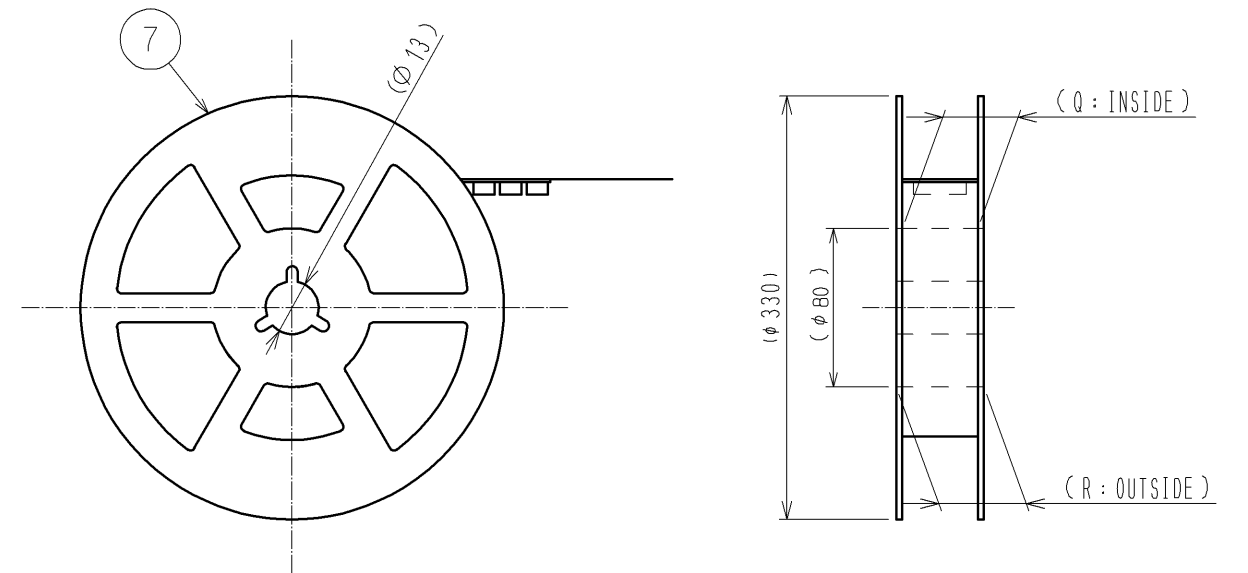
TAPE WIDTH:24mm MAX



DIRECTION OF UNREELING



REEL DIMENSION (FREE)



- 5 THE DIMENSIONS IN PARENTHESES ARE FOR REFERENCE.
- 6 PER REEL:2000 CONNECTORS.
- 7 SEE DIMENSION TABLE IN THE APPENDIX.

<DRAWING FOR PACKING>

| | | |
|------------|-------------|--------------------|
| HRS | DRAWING NO. | EDC3-150229-11 |
| | PART NO. | FH12-**S-0.5SH(55) |
| | CODE NO. | CL586 |
| | | 4/5 |

| PART NO. | CODE NO. | NUMBER OF CONTACT | DIMENSION TABLE OF CONNECTOR, FPC, FFC, PCB MOUNTING PATTERN AND STENCIL PATTERN | | | | | | | | DIMENSION TABLE OF DRAWING FOR PACKING | | | | | | |
|--------------------|-----------------|-------------------|--|------|-------|------|------|------|------|------|--|------|------|------|------|------|------|
| | | | A | B | C | D | E | F | G | H | K | L | M | N | P | Q | R |
| FH12- 6S-0.5SH(55) | CL586-0582-5-55 | 6 | 2.5 | 6.1 | 3.57 | 7.1 | 4.9 | 4.5 | 8.1 | 3.5 | 16 | — | 7.5 | 7.8 | 3.5 | 17.4 | 21.4 |
| FH12- 8S-0.5SH(55) | CL586-0744-5-55 | 8 | 3.5 | 7.1 | 4.57 | 8.1 | 5.9 | 5.5 | 9.1 | 4.5 | 16 | — | 7.5 | 8.8 | 4.5 | 17.4 | 21.4 |
| FH12-10S-0.5SH(55) | CL586-0522-3-55 | 10 | 4.5 | 8.1 | 5.57 | 9.1 | 6.9 | 6.5 | 10.1 | 5.5 | 16 | — | 7.5 | 9.8 | 5.5 | 17.4 | 21.4 |
| FH12-11S-0.5SH(55) | CL586-0600-5-55 | 11 | 5 | 8.6 | 6.07 | 9.6 | 7.4 | 7 | 10.6 | 6 | 16 | — | 7.5 | 10.3 | 6 | 17.4 | 21.4 |
| FH12-12S-0.5SH(55) | CL586-0704-0-55 | 12 | 5.5 | 9.1 | 6.57 | 10.1 | 7.9 | 7.5 | 11.1 | 6.5 | 24 | — | 11.5 | 10.8 | 6.5 | 25.4 | 29.4 |
| FH12-13S-0.5SH(55) | CL586-0549-0-55 | 13 | 6 | 9.6 | 7.07 | 10.6 | 8.4 | 8 | 11.6 | 7 | 24 | — | 11.5 | 11.3 | 7 | 25.4 | 29.4 |
| FH12-14S-0.5SH(55) | CL586-0533-0-55 | 14 | 6.5 | 10.1 | 7.57 | 11.1 | 8.9 | 8.5 | 12.1 | 7.5 | 24 | — | 11.5 | 11.8 | 7.5 | 25.4 | 29.4 |
| FH12-15S-0.5SH(55) | CL586-0523-6-55 | 15 | 7 | 10.6 | 8.07 | 11.6 | 9.4 | 9 | 12.6 | 8 | 24 | — | 11.5 | 12.3 | 8 | 25.4 | 29.4 |
| FH12-16S-0.5SH(55) | CL586-0531-4-55 | 16 | 7.5 | 11.1 | 8.57 | 12.1 | 9.9 | 9.5 | 13.1 | 8.5 | 24 | — | 11.5 | 12.8 | 8.5 | 25.4 | 29.4 |
| FH12-17S-0.5SH(55) | CL586-0606-1-55 | 17 | 8 | 11.6 | 9.07 | 12.6 | 10.4 | 10 | 13.6 | 9 | 24 | — | 11.5 | 13.3 | 9 | 25.4 | 29.4 |
| FH12-18S-0.5SH(55) | CL586-0530-1-55 | 18 | 8.5 | 12.1 | 9.57 | 13.1 | 10.9 | 10.5 | 14.1 | 9.5 | 24 | — | 11.5 | 13.8 | 9.5 | 25.4 | 29.4 |
| FH12-19S-0.5SH(55) | CL586-0534-2-55 | 19 | 9 | 12.6 | 10.07 | 13.6 | 11.4 | 11 | 14.6 | 10 | 24 | — | 11.5 | 14.3 | 10 | 25.4 | 29.4 |
| FH12-20S-0.5SH(55) | CL586-0524-9-55 | 20 | 9.5 | 13.1 | 10.57 | 14.1 | 11.9 | 11.5 | 15.1 | 10.5 | 24 | — | 11.5 | 14.8 | 10.5 | 25.4 | 29.4 |
| FH12-22S-0.5SH(55) | CL586-0532-7-55 | 22 | 10.5 | 14.1 | 11.57 | 15.1 | 12.9 | 12.5 | 16.1 | 11.5 | 24 | — | 11.5 | 15.8 | 11.5 | 25.4 | 29.4 |
| FH12-24S-0.5SH(55) | CL586-0521-0-55 | 24 | 11.5 | 15.1 | 12.57 | 16.1 | 13.9 | 13.5 | 17.1 | 12.5 | 24 | — | 11.5 | 16.8 | 12.5 | 25.4 | 29.4 |
| FH12-25S-0.5SH(55) | CL586-0692-3-55 | 25 | 12 | 15.6 | 13.07 | 16.6 | 14.4 | 14 | 17.6 | 13 | 24 | — | 11.5 | 17.3 | 13 | 25.4 | 29.4 |
| FH12-26S-0.5SH(55) | CL586-0576-2-55 | 26 | 12.5 | 16.1 | 13.57 | 17.1 | 14.9 | 14.5 | 18.1 | 13.5 | 24 | — | 11.5 | 17.8 | 13.5 | 25.4 | 29.4 |
| FH12-28S-0.5SH(55) | CL586-0612-4-55 | 28 | 13.5 | 17.1 | 14.57 | 18.1 | 15.9 | 15.5 | 19.1 | 14.5 | 32 | 28.4 | 14.2 | 18.8 | 14.5 | 33.4 | 37.4 |
| FH12-30S-0.5SH(55) | CL586-0525-1-55 | 30 | 14.5 | 18.1 | 15.57 | 19.1 | 16.9 | 16.5 | 20.1 | 15.5 | 32 | 28.4 | 14.2 | 19.8 | 15.5 | 33.4 | 37.4 |
| FH12-32S-0.5SH(55) | CL586-0681-7-55 | 32 | 15.5 | 19.1 | 16.57 | 20.1 | 17.9 | 17.5 | 21.1 | 16.5 | 32 | 28.4 | 14.2 | 20.8 | 16.5 | 33.4 | 37.4 |
| FH12-33S-0.5SH(55) | CL586-0520-8-55 | 33 | 16 | 19.6 | 17.07 | 20.6 | 18.4 | 18 | 21.6 | 17 | 32 | 28.4 | 14.2 | 21.3 | 17 | 33.4 | 37.4 |
| FH12-34S-0.5SH(55) | CL586-0617-8-55 | 34 | 16.5 | 20.1 | 17.57 | 21.1 | 18.9 | 18.5 | 22.1 | 17.5 | 32 | 28.4 | 14.2 | 21.8 | 17.5 | 33.4 | 37.4 |
| FH12-35S-0.5SH(55) | CL586-0740-4-55 | 35 | 17 | 20.6 | 18.07 | 21.6 | 19.4 | 19 | 22.6 | 18 | 44 | 40.4 | 20.2 | 22.3 | 18 | 45.4 | 49.4 |
| FH12-36S-0.5SH(55) | CL586-0526-4-55 | 36 | 17.5 | 21.1 | 18.57 | 22.1 | 19.9 | 19.5 | 23.1 | 18.5 | 44 | 40.4 | 20.2 | 22.8 | 18.5 | 45.4 | 49.4 |
| FH12-40S-0.5SH(55) | CL586-0527-7-55 | 40 | 19.5 | 23.1 | 20.57 | 24.1 | 21.9 | 21.5 | 25.1 | 20.5 | 44 | 40.4 | 20.2 | 24.8 | 20.5 | 45.4 | 49.4 |
| FH12-45S-0.5SH(55) | CL586-0528-0-55 | 45 | 22 | 25.6 | 23.07 | 26.6 | 24.4 | 24 | 27.6 | 23 | 44 | 40.4 | 20.2 | 27.3 | 23 | 45.4 | 49.4 |
| FH12-50S-0.5SH(55) | CL586-0529-2-55 | 50 | 24.5 | 28.1 | 25.57 | 29.1 | 26.9 | 26.5 | 30.1 | 25.5 | 44 | 40.4 | 20.2 | 29.8 | 25.5 | 45.4 | 49.4 |
| FH12-53S-0.5SH(55) | CL586-0595-7-55 | 53 | 26 | 29.6 | 27.07 | 30.6 | 28.4 | 28 | 31.6 | 27 | 44 | 40.4 | 20.2 | 31.3 | 27 | 45.4 | 49.4 |

| | | |
|------------|-------------|----------------------|
| HRS | DRAWING NO. | EDC3-150229-11 |
| | PART NO. | FH12- ** S-0.5SH(55) |
| | CODE NO. | CL586 |

△ 5/5