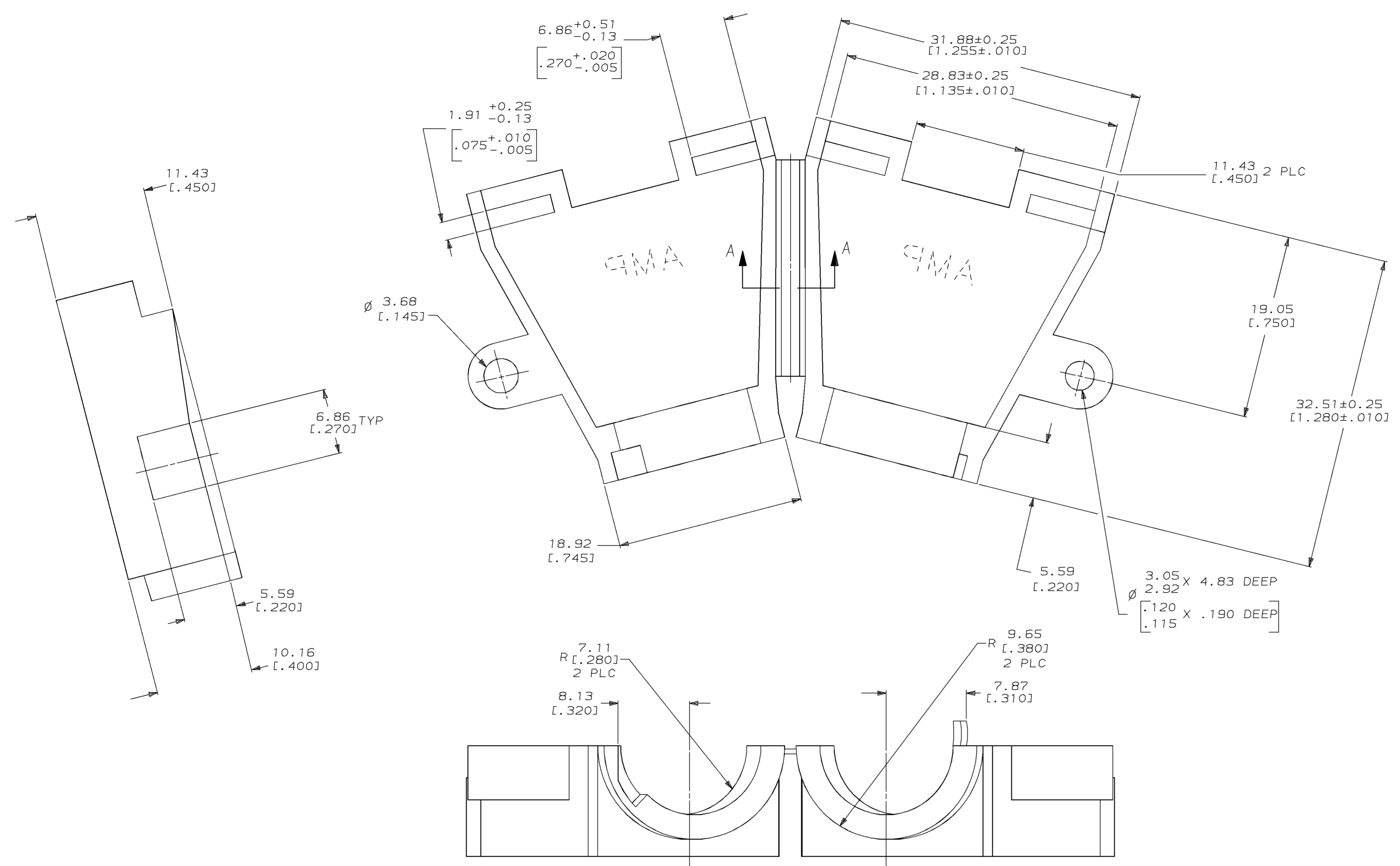
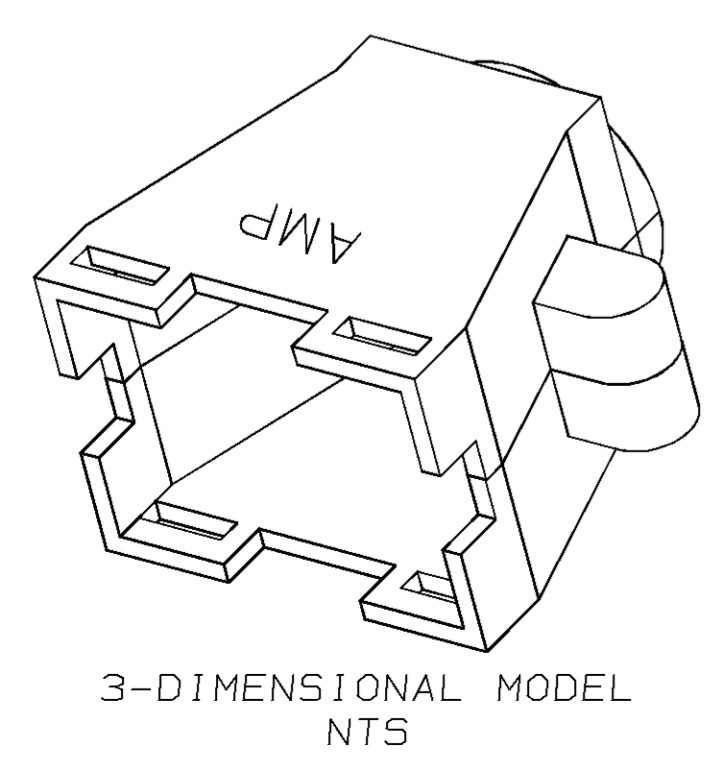
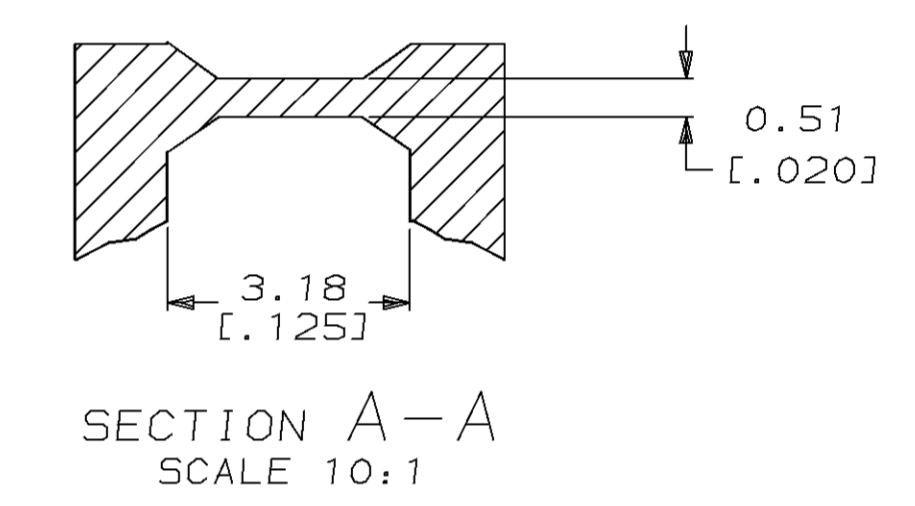


LOC		DIST		P		F		ZONE		LTR		REVISIONS		DATE	APPD
CM	52											H	REV & REDWN PER EC 0730-0072-94	9-17-93	KS



1. REQUIRES A #6 PAN HEAD TYPE "B" SELF TAPPING PAN HEAD SCREW, 9.53 [.375] LONG.
2. DIMENSIONS IN BRACKETS ARE IN INCHES.



BLACK	1-350524-9
BRICK RED	350524-1
COLOR	PART NO

DO NOT SCALE PRINT. UNLESS SPECIFIED DIMENSIONS IN mm [INCHES] TOLERANCES: ON: 2 PLC DEC ± 0.13 [.005] 3 PLC DEC ± - ANGLES ± -	DR 9-17-93 K. SALMON	AMP Incorporated Harrisburg, PA 17105-3608
MATERIAL: NYLON	CHK 9-17-93 R. SWING	
FINISH: COLOR, SEE TABLE	APPD - W. LONG	NAME: STRAIN RELIEF, HINGED, 24 POSITION
	APPD - W. LONG	SIZE: D
	PRODUCT SPEC	CAGE CODE: 00779
	APPLICATION SPEC	DRAWING NO: ©-350524
	WEIGHT	SCALE: 4:1
		SHEET: 1 OF 1



THIS DRAWING IS A CONTROLLED DOCUMENT FOR AMP INCORPORATED. IT IS SUBJECT TO CHANGE AND THE CONTROLLING ENGINEERING ORGANIZATION SHOULD BE CONTACTED FOR THE LATEST REVISION.