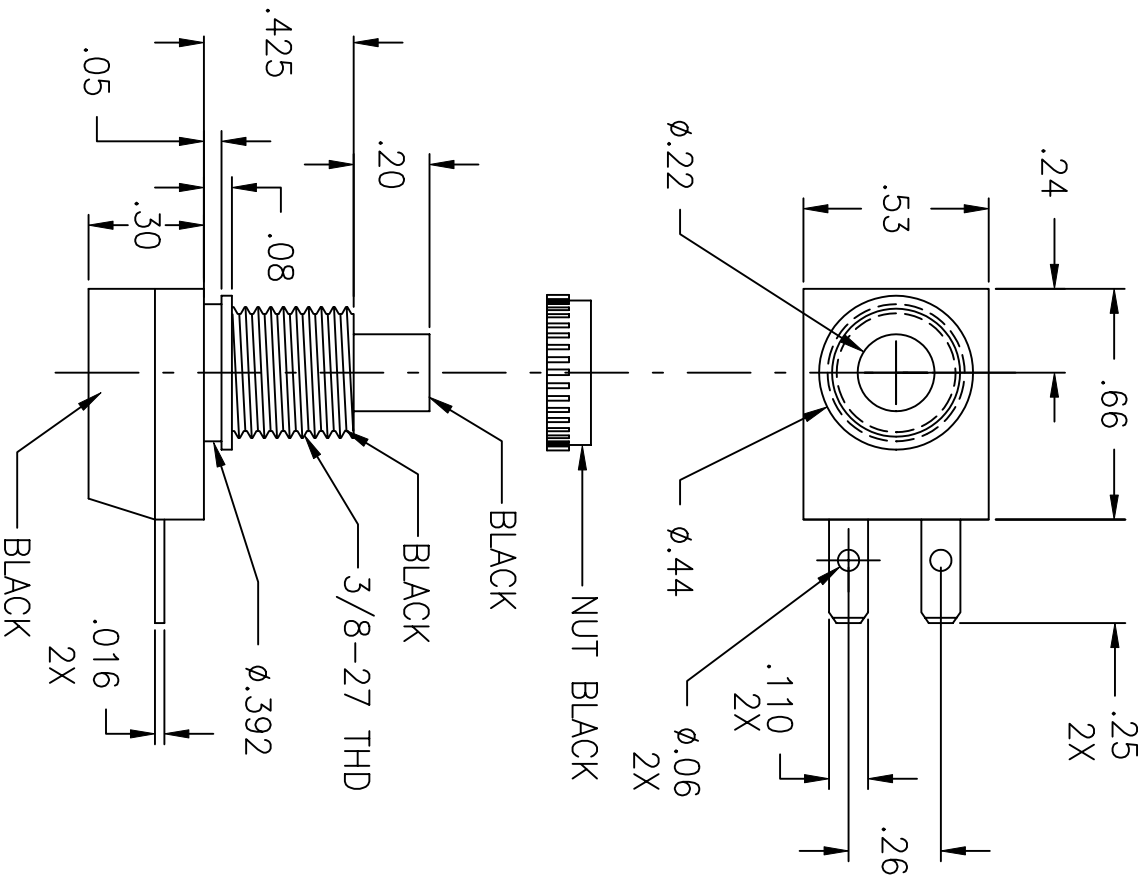


LTR	EN	DESCRIPTION	APPR	BY	DATE
A	-	INITIAL RELEASE	MT	DC	12-27-07



JUDCO INVENTORY NO. 40-4675-00  
 SWITCH TYPE: MOMENTARY, NORMALLY CLOSED  
 UL ELECTRICAL RATING: 14VDC, 10A  
 UL TEMPERATURE RATING: 55°C  
 NUT INCLUDED

CUSTOMER: DIGI-KEY  
 CUSTOMER PN: TBD

APPROVED BY: \_\_\_\_\_  
 DATE: \_\_\_\_\_

DIMENSIONS IN INCHES  
 DIMENSIONS ARE REFERENCE

DRAWN: DC	12-27-07	TITLE	OUTLINE
APPR: KJ	12-27-07	DWG. NO.	1415-1271
ENG: IS	12-27-07		
1415U1271A.DWG		SHEET	1 OF 1

This document embodies a product, component, and/or design proprietary to JUDCO MANUFACTURING INC., and which is protected either as a trade secret, by U.S. Patent, or by copyright. It may not be used in any way without written express consent of JUDCO MANUFACTURING INC.