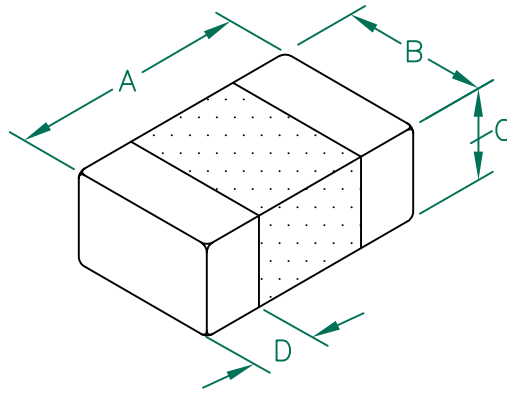


# LI0805H121R-10

**UNCONTROLLED DOCUMENT**

PHYSICAL DIMENSIONS:

A	2.00 [.079]	+ 0.20 [.008]
B	1.25 [.049]	+ 0.20 [.008]
C	0.90 [.035]	+ 0.20 [.008]
D	0.51 [.020]	+ 0.25 [.010]



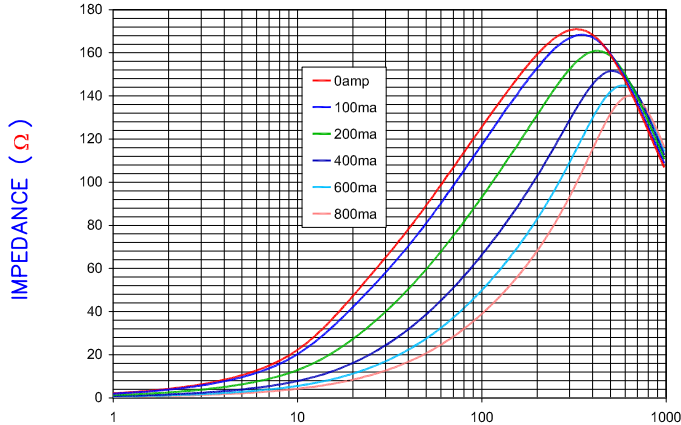
ELECTRICAL CHARACTERISTICS:

Z @ 100MHz (Ω)	DCR (Ω)	Rated Current
Nominal	120	
Minimum	90	
Maximum	150	0.15
		800 mA

NOTES: UNLESS OTHERWISE SPECIFIED

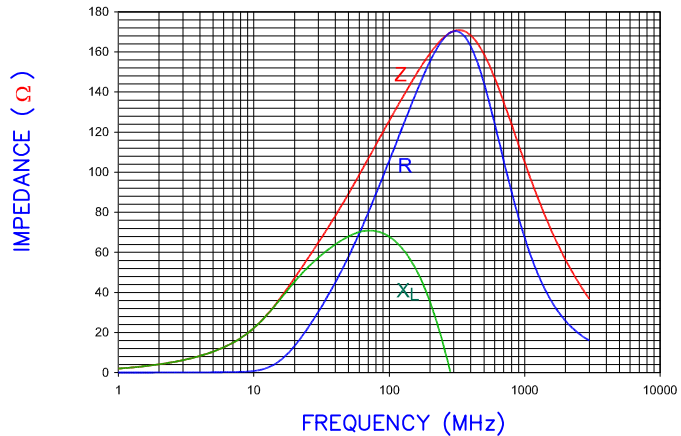
1. TAPED AND REELED per CURRENT EIA SPECIFICATIONS 7" REELS, 4000 PCS/REEL, PAPER TAPE.
2. TERMINATION FINISH IS 100% TIN.
3. COMPONENTS SHOULD BE ADEQUATELY PREHEATED BEFORE SOLDERING.
4. OPERATING TEMP. RANGE: -40°C~+125°C. (INCLUDING SELF-HEATING)

Z vs FREQUENCY  
IMPEDANCE UNDER DC BIAS



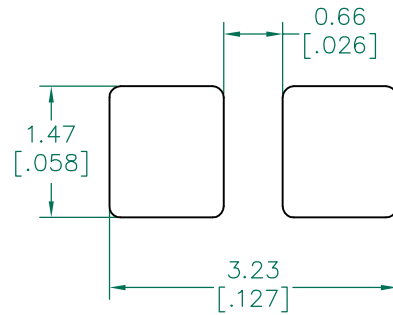
FREQUENCY (MHz)

|Z|, R, AND X vs. FREQUENCY



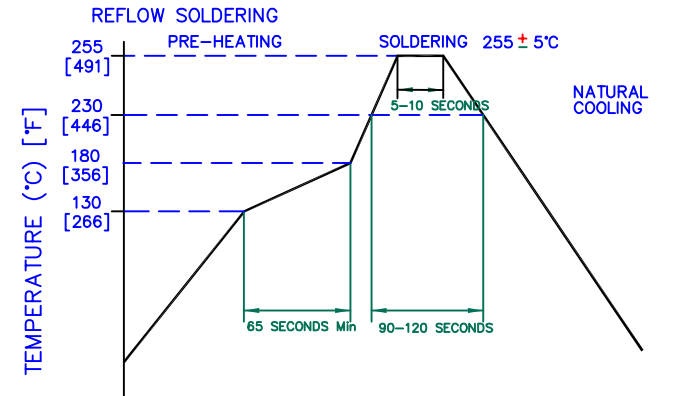
FREQUENCY (MHz)

LAND PATTERNS FOR REFLOW SOLDERING



(For wave soldering, add 0.763 [.030] to this dimension.)

RECOMMENDED SOLDERING CONDITIONS



DIMENSIONS ARE IN mm [INCHES].				This print is the property of Laird Tech. and is loaned in confidence subject to return upon request and with the understanding that no copies shall be made without the written consent of Laird Tech. All rights to design or invention are reserved.			
E	ADD OPERATING TEMPERATURE UPDATE LAIRD LOGO AND REFLOW CURVE	08/05/13	QU				
D	CHANGE TO PAPER TAPE	03/04/10	JUN				
C	UPDATE COMPANY LOGO ADD ROHS SYM	07/21/08	JRK				
B	ADD DC BIAS CURVE UPDATE ZRX CURVE	04/07/03	JRK				
A	ORIGINAL DRAFT	10/30/02	JRK				
REV	DESCRIPTION	DATE	INT	PROJECT/PART NUMBER: <b>LI0805H121R-10</b>	REV <b>E</b>	PART TYPE: <b>CO-FIRE</b>	DRAWN BY: <b>JRK</b>
				DATE: 10/30/02	SCALE: NTS	SHEET: <b>2 of 2</b>	
				CAD # LI0805H121R-10-E	TOOL # -		