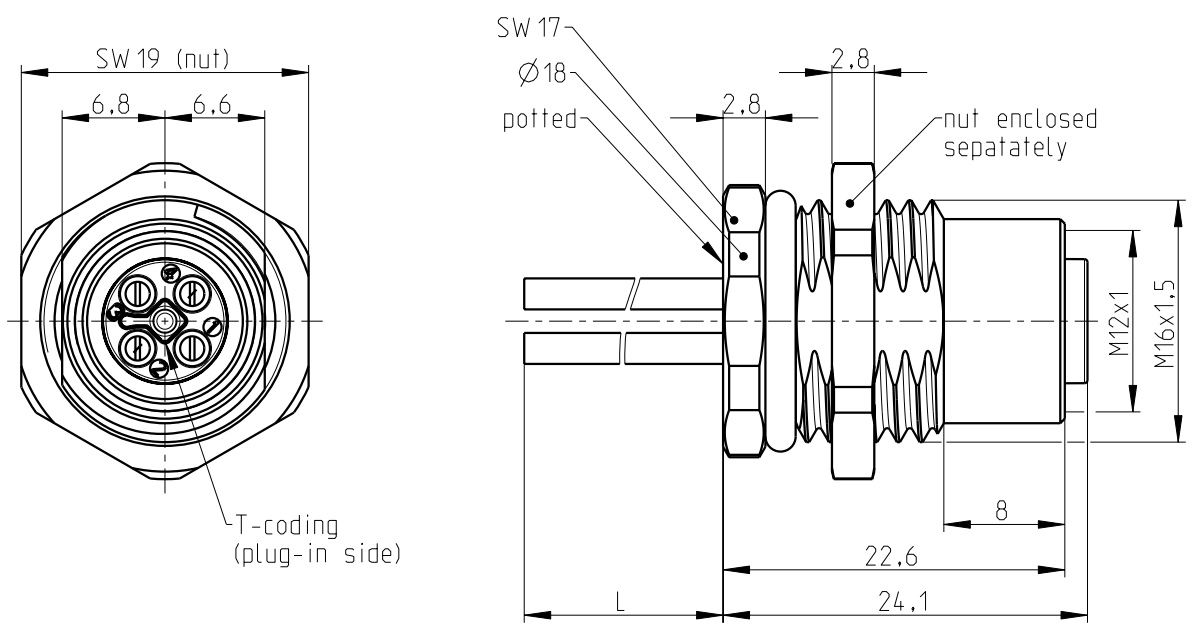


The copying, distribution and utilization of this document as well as the communication of the contents to others without expressed authorization is prohibited according to §18 UWG German Law. Offenders will be held liable for the payment of damages according to §19 UWG German Law. All rights reserved, in particular the right to carry out patent, utility model or ornamental design registrations.

Weitergabe sowie Vervielfältigung dieses Dokuments, Verwertung und Mitteilung seines Inhalts gem §18 UWG verboten, soweit nicht ausdrücklich gestattet. Zuwiderhandlungen verpflichten zu Schadenersatz (§19 UWG). Alle Rechte vorbehalten, insbesondere das Recht, Patent-, Gebrauchsmuster- oder Geschmacksmusteranmeldungen durchzuführen. PHENIX CONTACT Connector Technology GmbH Heisenbergstrasse 1 D-71083 Herrenberg

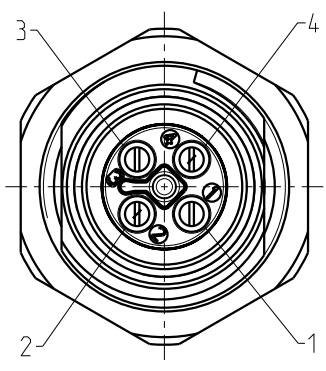
Mechanical data (according to IEC 61076-2-101)		Material	
no. of poles / coding	4 / T	housing / surface	CuZn / Ni
contact termination	crimp / socket	contact carrier	PA / UL 94 V0
contact-Ø	1,5mm	colour	black
temperature range	-40 °C / +85 °C	wire	PP
protection class	IP 66 / IP 67	cross section	1,5mm ²
mating cycles	> 100	contacts / surface	CuZn / Au
locking system	M12 STANDARD	sealing gasket	FKM
		potting	PU 2k / UL 94 V0

further information:
 - see technical data M12-4
 - see installation recommendation M16x1,5 design DSI



The specified electrical and mechanical data require a correctly locked pair of connectors. If the connector is unlocked and if there is a danger of contamination, the connector must be sealed using a protective cap >IP54. Influences from wires, cables or PCB mounting are also to be taken into consideration.

View of pin assignment
Plug-in side



Pin layout

pin	colour
1	brown
2	white
3	blue
4	black

order-no.	L (m)
1424134	0,5
1420501	1,5
1043490	3,0

general tolerance acc. to DIN ISO 2768-c		technical changes reserved		Index 5 / 2017-08-29		scale: 2:1	
design	date	name	description: Housing with crimp contacts socket Rear mounting (M16x1,5)				
chk.	2011-09-20	Thumm					
		drawing-no.:	BP-L23HAGAAX,XX (X,XX=L)	doc.-no.:	00634700		
		order-no.:	see chart				
		article designation:	SACC-DSI-M12FST-4CON-M16/L (see chart)				
				page: 1 of: 1			